

# End clamp - E/MK 1

1421659

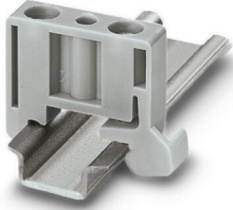
<https://www.phoenixcontact.com/de/produkte/1421659>



Please be informed that the data shown in this PDF document is generated from our Online Catalog. Please find the complete data in the user documentation. Our General Terms of Use for Downloads are valid.

---

End clamp width: 6 mm, color: gray



---

## Your advantages

- Large-surface labeling
- Can be screwed onto NS 15 DIN rails

# End clamp - E/MK 1



1421659

<https://www.phoenixcontact.com/de/produkte/1421659>

## Commercial Data

Item number	1421659
Packing unit	100 pc
Minimum order quantity	1 pc
Sales Key	B1 - Markierung Montage
Product Key	BE7111
Catalog Page	Page 539 (C-3-2019)
GTIN	4017918021573
Weight per Piece (including packing)	2,602 g
Weight per Piece (excluding packing)	2,602 g
Customs tariff number	39269097
Country of origin	PL

# End clamp - E/MK 1

1421659

<https://www.phoenixcontact.com/de/produkte/1421659>

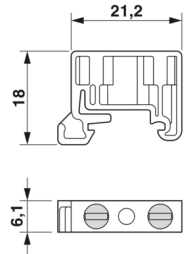


## Technical Data

### Product properties

Product type	End block
--------------	-----------

### Dimensions

Dimensional drawing	
Width	6.1 mm
Height	18 mm
Height NS 35/7,5	19.5 mm
Length	21.2 mm

### Material specifications

Color	gray
Material	PA
Flammability rating according to UL 94	V2
Coating	3.2 mm fixing hole

### Environmental and real-life conditions

#### Ambient conditions

Ambient temperature (operation)	-60 °C ... 105 °C (max. short-term operating temperature RTI Elec.)
Ambient temperature (storage/transport)	-25 °C ... 60 °C (for a short time, not exceeding 24 h, -60 °C to +70 °C)
Ambient temperature (assembly)	-5 °C ... 70 °C
Ambient temperature (actuation)	-5 °C ... 70 °C
Permissible humidity (storage/transport)	30 % ... 70 %

### Mounting

Mounting type	NS 15
---------------	-------

# End clamp - E/MK 1

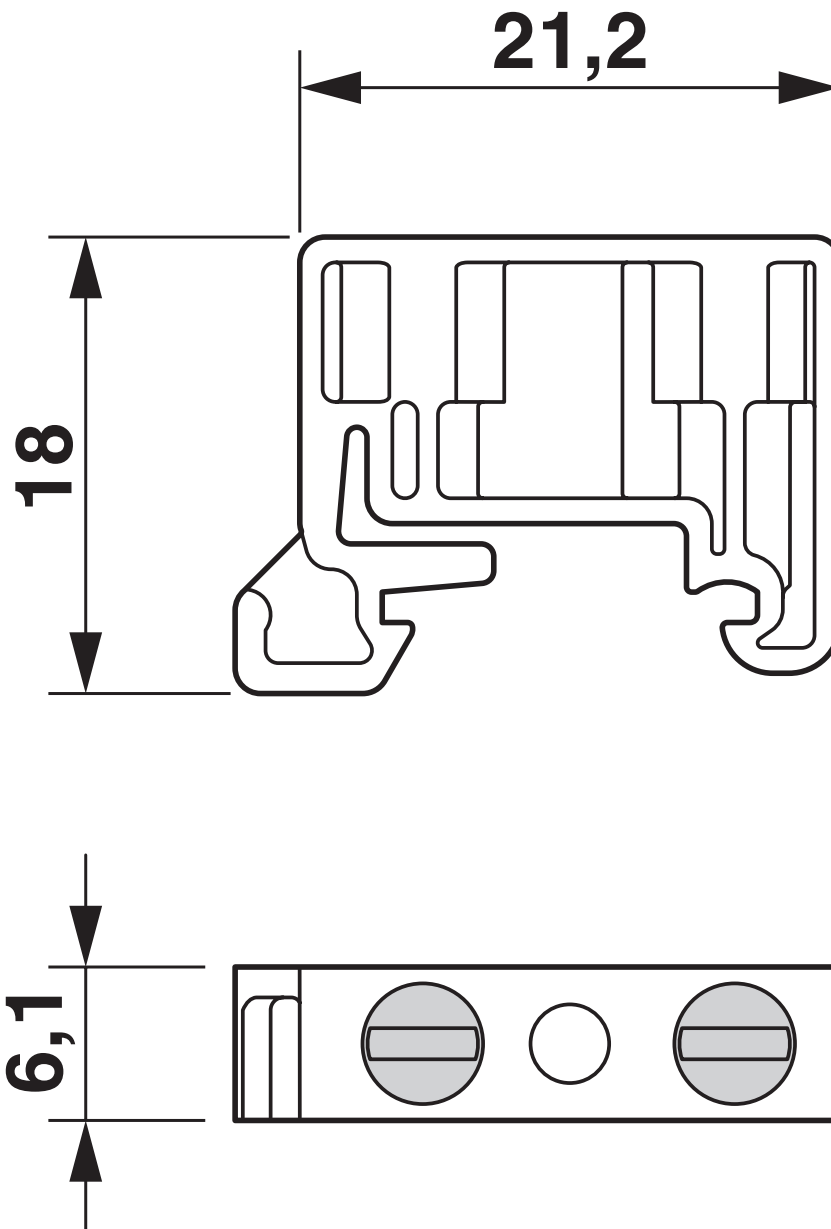
1421659

<https://www.phoenixcontact.com/de/produkte/1421659>



## Drawings

Dimensional drawing



# End clamp - E/MK 1

1421659

<https://www.phoenixcontact.com/de/produkte/1421659>



## Classifications

### ECLASS

ECLASS-10.0.1	27141135
ECLASS-9.0	27141135
ECLASS-11.0	27141135

### ETIM

ETIM 8.0	EC001041
----------	----------

### UNSPSC

UNSPSC 21.0	39121400
-------------	----------

# End clamp - E/MK 1

1421659

<https://www.phoenixcontact.com/de/produkte/1421659>



## Environmental Product Compliance

China RoHS	Environmentally friendly use period: unlimited = EFUP-e
	No hazardous substances above threshold values

# End clamp - E/MK 1

1421659

<https://www.phoenixcontact.com/de/produkte/1421659>



## Accessories

### DIN rail, unperforated

DIN rail, unperforated - NS 15 UNPERF 2000MM VPE 10 - 1401695

<https://www.phoenixcontact.com/de/produkte/1401695>



DIN rail, unperforated, acc. to EN 60715, material: Steel, galvanized, passivated with a thick layer, Standard profile, color: silver, Pack of 10 (20 m)

---

### DIN rail perforated

DIN rail perforated - NS 15 PERF 2000MM VPE 10 - 1401682

<https://www.phoenixcontact.com/de/produkte/1401682>



DIN rail perforated, acc. to EN 60715, material: Steel, galvanized, passivated with a thick layer, Standard profile, color: silver, Pack of 10 (20 m)

# End clamp - E/MK 1

1421659

<https://www.phoenixcontact.com/de/produkte/1421659>



## DIN rail perforated

DIN rail perforated - NS 15 AL PERF 2000MM VPE 10 - 1401763

<https://www.phoenixcontact.com/de/produkte/1401763>



DIN rail perforated, acc. to EN 60715, material: Aluminum, uncoated, Standard profile, color: silver, Pack of 10 (20 m)

---

## DIN rail perforated

DIN rail perforated - NS 15 WH PERF 2000MM-VPE 10 - 1204096

<https://www.phoenixcontact.com/de/produkte/1204096>



DIN rail perforated, acc. to EN 60715, material: Steel, Galvanized, white passivated, Standard profile, color: silver, Pack of 10 (20 m)

---

Phoenix Contact 2022 © - all rights reserved  
<https://www.phoenixcontact.com>

PHOENIX CONTACT Deutschland GmbH  
Flachsmarktstraße 8  
D-32825 Blomberg  
+49 52 35/3-1 20 00  
[info@phoenixcontact.de](mailto:info@phoenixcontact.de)