

Screwdriver - SZS 0,6X3,5 VDE



1212602

<https://www.phoenixcontact.com/de/produkte/1212602>

Please be informed that the data shown in this PDF document is generated from our Online Catalog. Please find the complete data in the user documentation. Our General Terms of Use for Downloads are valid.



Screwdriver, slot-headed, VDE insulated, size: 0.6 x 3.5 x 100 mm, 2-component grip, with non-slip grip

Your advantages

- For working on or in the vicinity of live parts up to 1000 V AC or 1500 V DC
- The tools feature ergonomic two-component safety handles
- Large contact surface of blades inside screw head
- VDE-tested, for maximum safety
- Individually tested safety screwdrivers according to DIN EN 60900 (VDE 0682-201)

Screwdriver - SZS 0,6X3,5 VDE



1212602

<https://www.phoenixcontact.com/de/produkte/1212602>

Commercial Data

Item number	1212602
Packing unit	10 pc
Minimum order quantity	1 pc
Sales Key	N2 - Druck.Zubh.+HandWKZ
Product Key	BH3144
Catalog Page	Page 442 (C-3-2019)
GTIN	4046356590761
Weight per Piece (including packing)	35,24 g
Weight per Piece (excluding packing)	33,7 g
Customs tariff number	82054000
Country of origin	CZ

Screwdriver - SZS 0,6X3,5 VDE



1212602

<https://www.phoenixcontact.com/de/produkte/1212602>

Technical Data

Notes

Environmental Product Compliance

California Proposition 65

Further information on California's prop. 65 is available under "Downloads" in the manufacturer's declaration

Product properties

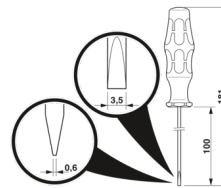
Type	Bladed
Product type	Screwdriver tools
Type	straight

Connection data

Output	Bladed
--------	--------

Dimensions

Dimensional drawing



Width	26 mm
Blade width	3.5 mm
Blade height	100 mm
Length	181 mm
Wrench size	0 mm
Blade thickness	0.6 mm

Material specifications

Material	alloyed tool steel
----------	--------------------

Standards and regulations

Tests	DIN/ISO 2380-1 IEC 60900:2004
-------	-------------------------------

Mounting

Wrench size	0 mm
-------------	------

Screwdriver - SZS 0,6X3,5 VDE

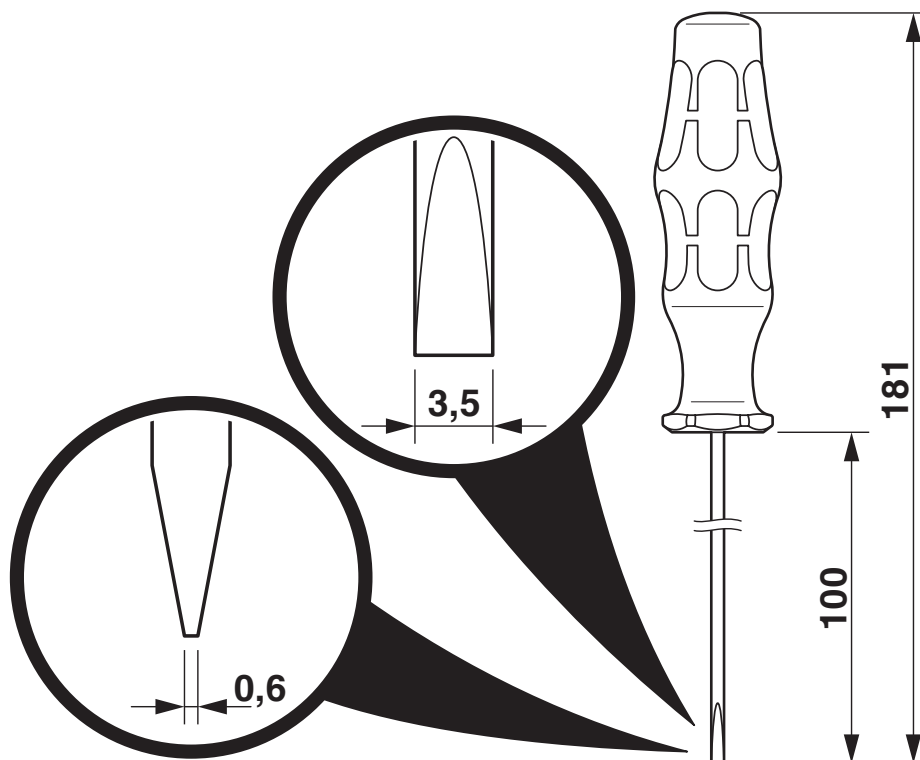
1212602

<https://www.phoenixcontact.com/de/produkte/1212602>



Drawings

Dimensional drawing



Screwdriver - SZS 0,6X3,5 VDE



1212602

<https://www.phoenixcontact.com/de/produkte/1212602>

Approvals



EAC

Approval ID: RU x-DE.xx08.B.02974



VDE Zeichengenehmigung

Approval ID: 086858

Screwdriver - SZS 0,6X3,5 VDE



1212602

<https://www.phoenixcontact.com/de/produkte/1212602>

Classifications

ECLASS

ECLASS-9.0	21040407
ECLASS-10.0.1	21040407
ECLASS-11.0	21040407

ETIM

ETIM 8.0	EC000158
----------	----------

UNSPSC

UNSPSC 21.0	27111700
-------------	----------

Phoenix Contact 2022 © - all rights reserved

<https://www.phoenixcontact.com>

PHOENIX CONTACT Deutschland GmbH

Flachmarktstraße 8

D-32825 Blomberg

+49 52 35/3-1 20 00

info@phoenixcontact.de