

Protective cover - HC-B06-BCSFS-P-BK



1414623

<https://www.phoenixcontact.com/pc/products/1414623>

Please be informed that the data shown in this PDF document is generated from our Online Catalog. Please find the complete data in the user documentation. Our General Terms of Use for Downloads are valid.



Protective cover B6, for single locking latch, protective cover material: PA, height: 18.5 mm, seal: no, diameter of retaining cord eyelet: 40 mm

Protective cover - HC-B06-BCSFS-P-BK



1414623

<https://www.phoenixcontact.com/pc/products/1414623>

Commercial Data

Item number	1414623
Packing unit	10 pc
Minimum order quantity	1 pc
Product Key	BF7AZC
Catalog Page	Page 655 (C-2-2019)
GTIN	4055626030845
Weight per Piece (including packing)	24.8 g
Weight per Piece (excluding packing)	24.67 g
Customs tariff number	85389099
Country of origin	DE

Protective cover - HC-B06-BCSFS-P-BK

1414623

<https://www.phoenixcontact.com/pc/products/1414623>

Technical Data

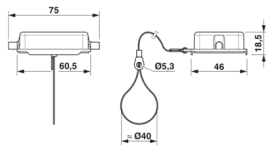
Notes

General	Protective cover for supporting base element with single locking latch
---------	--

Product properties

Type	B6
Product type	Protective cover
Housing type	Protective cover
Seal present	no
Locking type	for single locking latch

Dimensions

Dimensional drawing	
Width	46 mm
Height	18.5 mm
Length	60.5 mm
Diameter of retaining cord eyelet	40 mm

Material specifications

Color	black
Material	PA
Flammability rating according to UL 94	V0
Material, protective cover	PA

Connector

Material	PA
Type of locking	for single locking latch
Material	PA

Mechanical properties

Mechanical data

Locking type	Pin
--------------	-----

Environmental and real-life conditions

Ambient conditions

Degree of protection	IP66
Ambient temperature (operation)	-20 °C ... 100 °C

Protective cover - HC-B06-BCSFS-P-BK



1414623

<https://www.phoenixcontact.com/pc/products/1414623>

Mounting

Assembly instructions

Plastic protective cover for short-term protection

Protective cover - HC-B06-BCSFS-P-BK

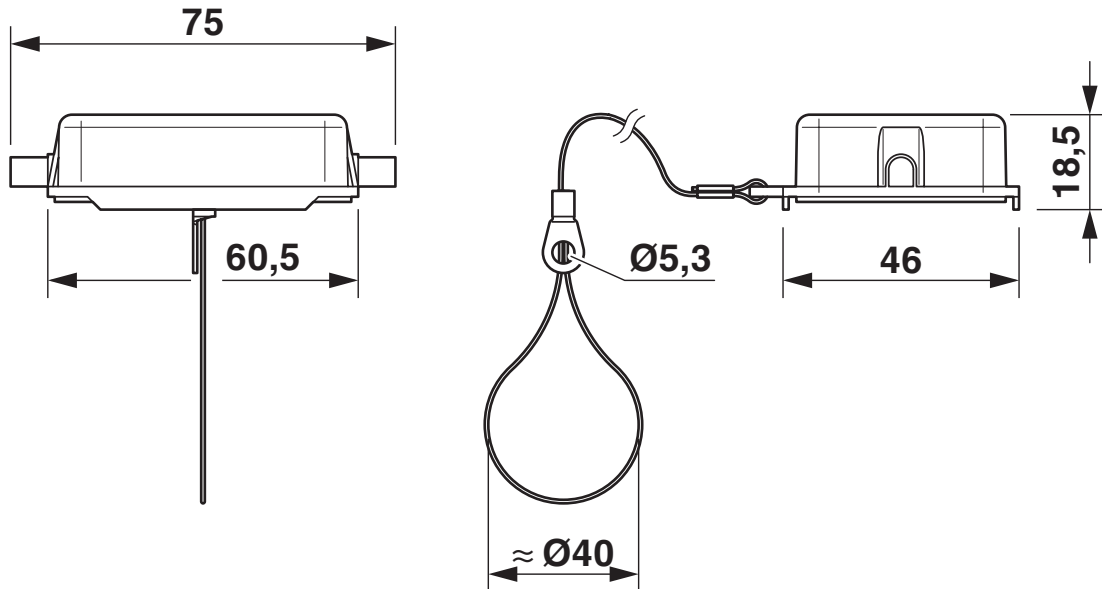


1414623

<https://www.phoenixcontact.com/pc/products/1414623>

Drawings

Dimensional drawing



Dimensional drawing

Protective cover - HC-B06-BCSFS-P-BK



1414623

<https://www.phoenixcontact.com/pc/products/1414623>

Approvals



EAC

Approval ID: RU C-DE.AI30.B.01102

Protective cover - HC-B06-BCSFS-P-BK



1414623

<https://www.phoenixcontact.com/pc/products/1414623>

Classifications

ECLASS

ECLASS-9.0	27440208
ECLASS-10.0.1	27440208
ECLASS-11.0	27440208

ETIM

ETIM 8.0	EC002314
----------	----------

UNSPSC

UNSPSC 21.0	39121400
-------------	----------

Protective cover - HC-B06-BCSFS-P-BK



1414623

<https://www.phoenixcontact.com/pc/products/1414623>

Environmental Product Compliance

China RoHS	Environmentally friendly use period: unlimited = EFUP-e No hazardous substances above threshold values
------------	---

Phoenix Contact 2022 © - all rights reserved
<https://www.phoenixcontact.com>

PHOENIX CONTACT GmbH & Co. KG
Flachmarktstraße 8
D-32825 Blomberg
+49 (0) 5235-3 00
info@phoenixcontact.com