

Ferrule - AI 10 -12 BN

3200124

<https://www.phoenixcontact.com/pc/products/3200124>



Please be informed that the data shown in this PDF document is generated from our Online Catalog. Please find the complete data in the user documentation. Our General Terms of Use for Downloads are valid.

Ferrule, sleeve length: 12 mm, length: 22 mm, color: brown



Your advantages

- In terms of dimensions, these ferrules conform to DIN 46228-4: 1990-09
- The color code of the plastic insulating collar is based on the French standard NF C 63-023: 1994-02
- The metal sleeves are made from soft tin-plated electrolytic copper

Ferrule - AI 10 -12 BN



3200124

<https://www.phoenixcontact.com/pc/products/3200124>

Commercial Data

| | |
|--------------------------------------|---------------------|
| Item number | 3200124 |
| Packing unit | 100 pc |
| Minimum order quantity | 100 pc |
| Sales Key | 05 |
| Product Key | BH3411 |
| Catalog Page | Page 482 (C-3-2019) |
| GTIN | 4017918093778 |
| Weight per Piece (including packing) | 0.523 g |
| Weight per Piece (excluding packing) | 0.514 g |
| Customs tariff number | 85369010 |
| Country of origin | DE |

Ferrule - AI 10 -12 BN

3200124

<https://www.phoenixcontact.com/pc/products/3200124>

Technical Data

Product properties

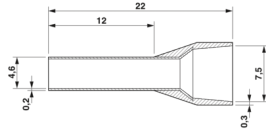
| | |
|--------------------|---|
| Product type | Ferrule |
| Conductor category | Stranded conductors, class 2, 5, 6 / B, C, K, M |

Connection data

Conductor connection

| | |
|---------------------------------------|--------------------|
| Conductor cross section flexible max. | 10 mm ² |
| Conductor cross section AWG max. | 8 |
| Stripping length | 15 mm |

Dimensions

| | |
|---|---|
| Dimensional drawing |  |
| Length | 22 mm |
| Sleeve length | 12 mm |
| Maximum stripping length | 15 mm |
| Ferrule diameter | 4.6 mm |
| Sleeve wall thickness | 0.2 mm |
| Insulating collar thickness | 0.3 mm |
| Inner dimensions of the insulating collar | 7.5 mm |

Material specifications

| | |
|--|--------------------------------|
| Color | brown |
| Material | CU-DHP |
| Flammability rating according to UL 94 | HB |
| Coating | tin-plated (galvanic) |
| Components | free from silicone and halogen |

Connector

| | |
|----------|--------|
| Material | CU-DHP |
| Material | CU-DHP |

Mechanical properties

Technical data

| | |
|---------------|-------|
| Sleeve length | 12 mm |
|---------------|-------|

Environmental and real-life conditions

Ferrule - AI 10 -12 BN



3200124

<https://www.phoenixcontact.com/pc/products/3200124>

Ambient conditions

| | |
|------------------------|---|
| Permanent temperature | 105 °C (-40°C no load / 0°C dynamic load) |
| Short-term temperature | 120 °C |

Standards and regulations

| | |
|------------------------------|---------------------|
| Design according to standard | DIN 46228-4:2017-05 |
|------------------------------|---------------------|

Ferrule - AI 10 -12 BN

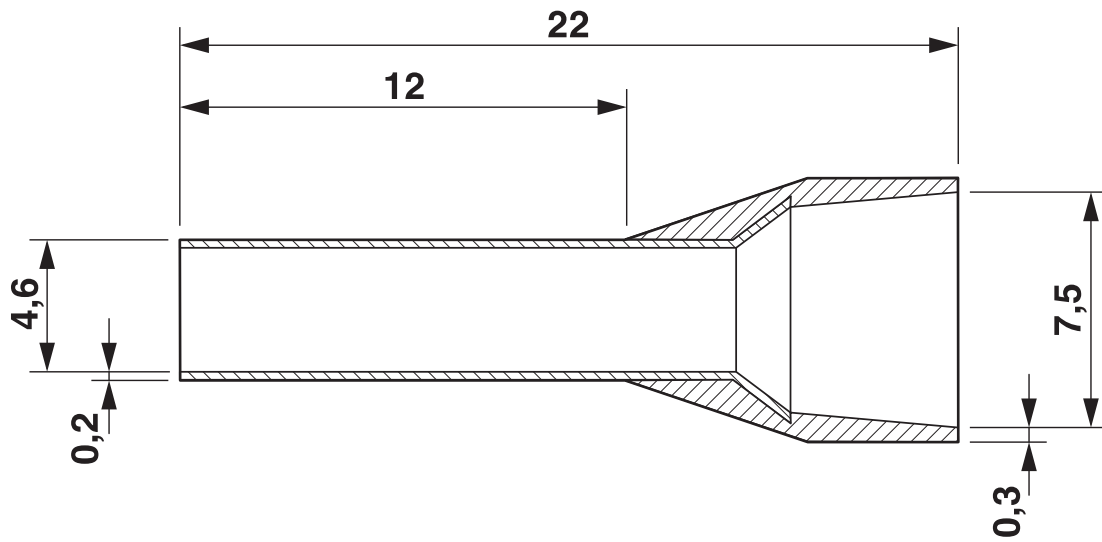
3200124

<https://www.phoenixcontact.com/pc/products/3200124>



Drawings

Dimensional drawing



Ferrule - AI 10 -12 BN



3200124

<https://www.phoenixcontact.com/pc/products/3200124>

Approvals



CSA

Approval ID: 247397



CSAus

Approval ID: 247397

cCSAus

Ferrule - AI 10 -12 BN



3200124

<https://www.phoenixcontact.com/pc/products/3200124>

Classifications

ECLASS

| | |
|---------------|----------|
| ECLASS-9.0 | 27400201 |
| ECLASS-10.0.1 | 27400201 |
| ECLASS-11.0 | 27400201 |

ETIM

| | |
|----------|----------|
| ETIM 8.0 | EC000005 |
|----------|----------|

UNSPSC

| | |
|-------------|----------|
| UNSPSC 21.0 | 27121700 |
|-------------|----------|

Ferrule - AI 10 -12 BN

3200124

<https://www.phoenixcontact.com/pc/products/3200124>



Environmental Product Compliance

| | |
|------------|---|
| China RoHS | Environmentally friendly use period: unlimited = EFUP-e |
| | No hazardous substances above threshold values |

Phoenix Contact 2022 © - all rights reserved
<https://www.phoenixcontact.com>

PHOENIX CONTACT GmbH & Co. KG
Flachmarktstraße 8
D-32825 Blomberg
+49 (0) 5235-3 00
info@phoenixcontact.com