

Ferrule - AI 35 -16 RD

3200441

<https://www.phoenixcontact.com/pc/products/3200441>



Please be informed that the data shown in this PDF document is generated from our Online Catalog. Please find the complete data in the user documentation. Our General Terms of Use for Downloads are valid.

Ferrule, sleeve length: 16 mm, length: 30 mm, color: red



Your advantages

- The ferrules with plastic sleeve are made from soft tin-plated electrolytic copper
- The AI 0,25.. ferrules can also be used to process 0.14 mm² conductors
- The insulation reliability of close connections is increased and the splicing of wires is prevented

Ferrule - AI 35 -16 RD

3200441

<https://www.phoenixcontact.com/pc/products/3200441>



Commercial Data

| | |
|--------------------------------------|---------------------|
| Item number | 3200441 |
| Packing unit | 50 pc |
| Minimum order quantity | 50 pc |
| Sales Key | 05 |
| Product Key | BH3411 |
| Catalog Page | Page 481 (C-3-2019) |
| GTIN | 4017918094096 |
| Weight per Piece (including packing) | 1.452 g |
| Weight per Piece (excluding packing) | 1.424 g |
| Customs tariff number | 85369010 |
| Country of origin | DE |

Ferrule - AI 35 -16 RD

3200441

<https://www.phoenixcontact.com/pc/products/3200441>

Technical Data

Product properties

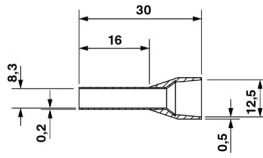
| | |
|--------------------|---|
| Product type | Ferrule |
| Conductor category | Stranded conductors, class 2, 5, 6 / B, C, K, M |

Connection data

Conductor connection

| | |
|---------------------------------------|--------------------|
| Conductor cross section flexible max. | 35 mm ² |
| Conductor cross section AWG max. | 2 |
| Stripping length | 20 mm |

Dimensions

| | |
|---|---|
| Dimensional drawing |  |
| Length | 30 mm |
| Sleeve length | 16 mm |
| Maximum stripping length | 20 mm |
| Ferrule diameter | 8.3 mm |
| Sleeve wall thickness | 0.2 mm |
| Insulating collar thickness | 0.5 mm |
| Inner dimensions of the insulating collar | 12.5 mm |

Material specifications

| | |
|--|--------------------------------|
| Color | red |
| Material | CU-DHP |
| Flammability rating according to UL 94 | HB |
| Coating | tin-plated (galvanic) |
| Components | free from silicone and halogen |

Connector

| | |
|----------|--------|
| Material | CU-DHP |
| Material | CU-DHP |

Mechanical properties

Technical data

| | |
|---------------|-------|
| Sleeve length | 16 mm |
|---------------|-------|

Environmental and real-life conditions

Ferrule - AI 35 -16 RD



3200441

<https://www.phoenixcontact.com/pc/products/3200441>

Ambient conditions

| | |
|------------------------|---|
| Permanent temperature | 105 °C (-40°C no load / 0°C dynamic load) |
| Short-term temperature | 120 °C |

Standards and regulations

| | |
|------------------------------|---------------------|
| Design according to standard | DIN 46228-4:2017-05 |
|------------------------------|---------------------|

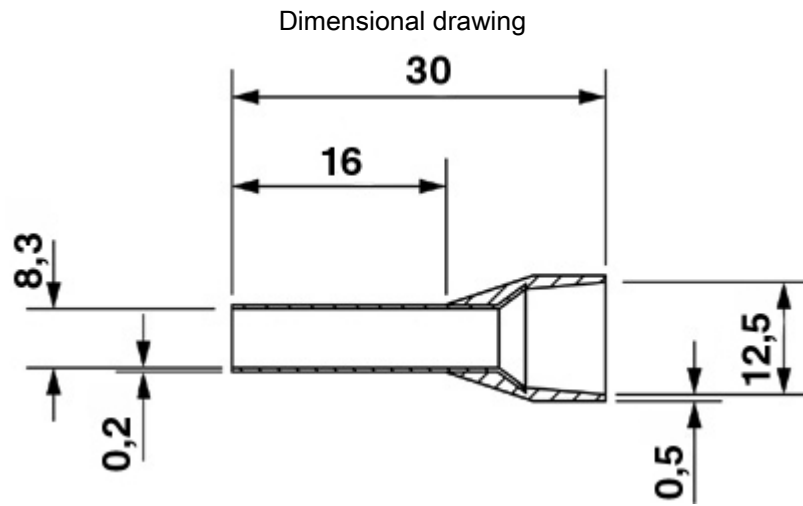
Ferrule - AI 35 -16 RD

3200441

<https://www.phoenixcontact.com/pc/products/3200441>



Drawings




Ferrule - AI 35 -16 RD




3200441


<https://www.phoenixcontact.com/pc/products/3200441>

Approvals


 **CSA**
Approval ID: 247397

 **UL Listed**
Approval ID: E488001

| | Nominal Voltage U_N | Nominal Current I_N | Cross Section AWG | Cross Section mm^2 |
|--|-----------------------|-----------------------|-------------------|-----------------------------|
| | | | - | - |

 **cUL Listed**
Approval ID: E488001

| | Nominal Voltage U_N | Nominal Current I_N | Cross Section AWG | Cross Section mm^2 |
|--|-----------------------|-----------------------|-------------------|-----------------------------|
| | | | - | - |

 **CSAus**
Approval ID: 247397

cULus Listed

cCSAus

Ferrule - AI 35 -16 RD



3200441

<https://www.phoenixcontact.com/pc/products/3200441>

Classifications

ECLASS

| | |
|---------------|----------|
| ECLASS-9.0 | 27400201 |
| ECLASS-10.0.1 | 27400201 |
| ECLASS-11.0 | 27400201 |

ETIM

| | |
|----------|----------|
| ETIM 8.0 | EC000005 |
|----------|----------|

UNSPSC

| | |
|-------------|----------|
| UNSPSC 21.0 | 27121700 |
|-------------|----------|

Ferrule - AI 35 -16 RD

3200441

<https://www.phoenixcontact.com/pc/products/3200441>



Environmental Product Compliance

| | |
|------------|---|
| China RoHS | Environmentally friendly use period: unlimited = EFUP-e |
| | No hazardous substances above threshold values |

Phoenix Contact 2022 © - all rights reserved
<https://www.phoenixcontact.com>

PHOENIX CONTACT GmbH & Co. KG
Flachmarktstraße 8
D-32825 Blomberg
+49 (0) 5235-3 00
info@phoenixcontact.com