

Ferrule - Al 6 -12 YE

3200548

<https://www.phoenixcontact.com/pc/products/3200548>



Please be informed that the data shown in this PDF document is generated from our Online Catalog. Please find the complete data in the user documentation. Our General Terms of Use for Downloads are valid.

Ferrule, sleeve length: 12 mm, length: 20 mm, color: yellow



Your advantages

- The insulation reliability of close connections is increased and the splicing of wires is prevented
- The ferrules with plastic sleeve are made from soft tin-plated electrolytic copper

Ferrule - AI 6 -12 YE

3200548

<https://www.phoenixcontact.com/pc/products/3200548>



Commercial Data

Item number	3200548
Packing unit	100 pc
Minimum order quantity	100 pc
Note	Made to Order (non-returnable)
Sales Key	05
Product Key	BH3411
Catalog Page	Page 481 (C-3-2019)
GTIN	4017918094157
Weight per Piece (including packing)	0.412 g
Weight per Piece (excluding packing)	0.396 g
Customs tariff number	85369010
Country of origin	DE

Ferrule - AI 6 -12 YE

3200548

<https://www.phoenixcontact.com/pc/products/3200548>



Technical Data

Product properties

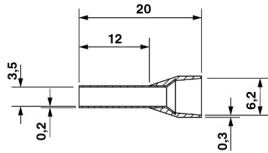
Product type	Ferrule
--------------	---------

Connection data

Conductor connection

Conductor cross section flexible max.	6 mm ²
Conductor cross section AWG max.	10
Stripping length	15 mm

Dimensions

Dimensional drawing	
Length	20 mm
Sleeve length	12 mm
Maximum stripping length	15 mm
Ferrule diameter	3.5 mm
Sleeve wall thickness	0.2 mm
Insulating collar thickness	0.3 mm
Inner dimensions of the insulating collar	6.2 mm

Material specifications

Color	yellow
Material	CU-DHP
Flammability rating according to UL 94	HB
Coating	tin-plated (galvanic)
Components	free from silicone and halogen

Connector

Material	CU-DHP
Material	CU-DHP

Mechanical properties

Technical data

Sleeve length	12 mm
---------------	-------

Environmental and real-life conditions

Ambient conditions

Ferrule - AI 6 -12 YE

3200548

<https://www.phoenixcontact.com/pc/products/3200548>



Permanent temperature	105 °C (-40°C no load / 0°C dynamic load)
Short-term temperature	120 °C

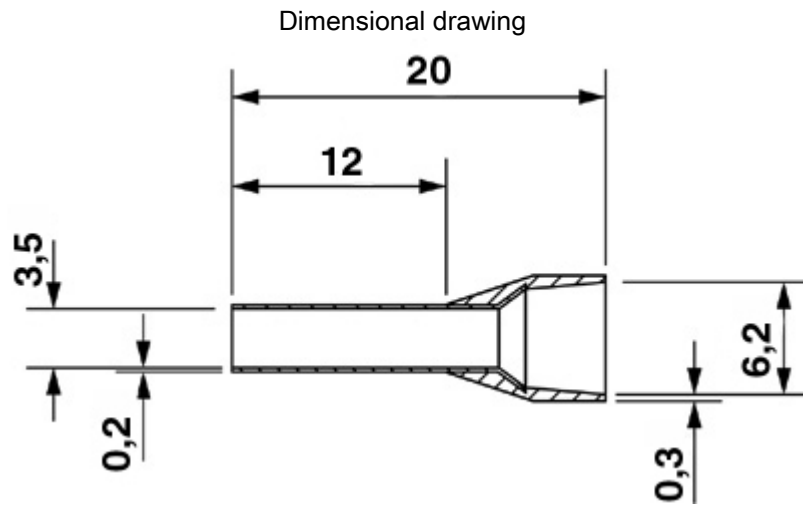
Ferrule - AI 6 -12 YE

3200548

<https://www.phoenixcontact.com/pc/products/3200548>



Drawings




Ferrule - AI 6 -12 YE



3200548

<https://www.phoenixcontact.com/pc/products/3200548>

Approvals


 **CSA**
Approval ID: 247397

 **UL Listed**
Approval ID: E488001

	Nominal Voltage U_N	Nominal Current I_N	Cross Section AWG	Cross Section mm^2
			-	-

 **cUL Listed**
Approval ID: E488001

	Nominal Voltage U_N	Nominal Current I_N	Cross Section AWG	Cross Section mm^2
			-	-

 **CSAus**
Approval ID: 247397

cULus Listed

cCSAus

Ferrule - AI 6 -12 YE

3200548

<https://www.phoenixcontact.com/pc/products/3200548>



Classifications

ECLASS

ECLASS-9.0	27400201
ECLASS-10.0.1	27400201
ECLASS-11.0	27400201

ETIM

ETIM 8.0	EC000005
----------	----------

UNSPSC

UNSPSC 21.0	27121700
-------------	----------

Ferrule - AI 6 -12 YE

3200548

<https://www.phoenixcontact.com/pc/products/3200548>



Environmental Product Compliance

China RoHS	Environmentally friendly use period: unlimited = EFUP-e
	No hazardous substances above threshold values

Phoenix Contact 2022 © - all rights reserved
<https://www.phoenixcontact.com>

PHOENIX CONTACT GmbH & Co. KG
Flachmarktstraße 8
D-32825 Blomberg
+49 (0) 5235-3 00
info@phoenixcontact.com