

# Ferrule - AI-TWIN 2X 0,75- 8 GY

3200807

<https://www.phoenixcontact.com/pc/products/3200807>

Please be informed that the data shown in this PDF document is generated from our Online Catalog. Please find the complete data in the user documentation. Our General Terms of Use for Downloads are valid.

---



Ferrules, for two 0.75 mm<sup>2</sup> conductors, sleeve length: 8 mm, with plastic collar, galvanically tin-plated, color: gray, color range according to NF C 63-023, CSA-certified

---

## Your advantages

- Different versions of the individual TWIN ferrules can be selected for specific applications
- The TWIN ferrules provide a practical way of crimping two conductors in one ferrule
- These special ferrules allow chain bridges to be set up with ease

# Ferrule - AI-TWIN 2X 0,75- 8 GY



3200807

<https://www.phoenixcontact.com/pc/products/3200807>

## Commercial Data

|                                      |                     |
|--------------------------------------|---------------------|
| Item number                          | 3200807             |
| Packing unit                         | 100 pc              |
| Minimum order quantity               | 100 pc              |
| Sales Key                            | 05                  |
| Product Key                          | BH3413              |
| Catalog Page                         | Page 486 (C-3-2019) |
| GTIN                                 | 4017918094355       |
| Weight per Piece (including packing) | 0.13 g              |
| Weight per Piece (excluding packing) | 0.13 g              |
| Customs tariff number                | 85369010            |
| Country of origin                    | DE                  |

# Ferrule - AI-TWIN 2X 0,75- 8 GY

3200807

<https://www.phoenixcontact.com/pc/products/3200807>

## Technical Data

### Product properties

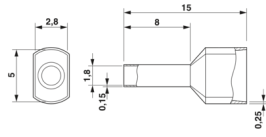
|                    |   |
|--------------------|---|
| Product type       | Ferrule   |
| Conductor category | Stranded conductors, class 2, 5, 6 / B, C, K, M |

### Connection data

#### Conductor connection

|                                       |                      |
|---------------------------------------|----------------------|
| Conductor cross section flexible max. | 0.75 mm <sup>2</sup> |
| Conductor cross section AWG max.      | 18                   |
| Stripping length                      | 12 mm                |

### Dimensions

|   |   |
|---|---|
| Dimensional drawing                       |  |
| Length                                    | 15 mm   |
| Sleeve length                             | 8 mm  |
| Maximum stripping length                  | 12 mm   |
| Ferrule diameter                          | 1.7 mm  |
| Sleeve wall thickness                     | 0.15 mm   |
| Insulating collar thickness               | 0.25 mm   |
| Inner dimensions of the insulating collar | 2.8 mm  |

### Material specifications

|  |                                |
|--|--------------------------------|
| Color                                  | gray                           |
| Material                               | CU-DHP                         |
| Flammability rating according to UL 94 | HB                             |
| Coating                                | tin-plated (galvanic)          |
| Components                             | free from silicone and halogen |

### Connector

|          |        |
|----------|--------|
| Material | CU-DHP |
| Material | CU-DHP |

### Mechanical properties

#### Technical data

|               |      |
|---------------|------|
| Sleeve length | 8 mm |
|---------------|------|

### Environmental and real-life conditions

# Ferrule - AI-TWIN 2X 0,75- 8 GY



3200807

<https://www.phoenixcontact.com/pc/products/3200807>

## Ambient conditions

|                        |   |
|------------------------|---|
| Permanent temperature  | 105 °C (-40°C no load / 0°C dynamic load) |
| Short-term temperature | 120 °C                                    |

# Ferrule - AI-TWIN 2X 0,75- 8 GY

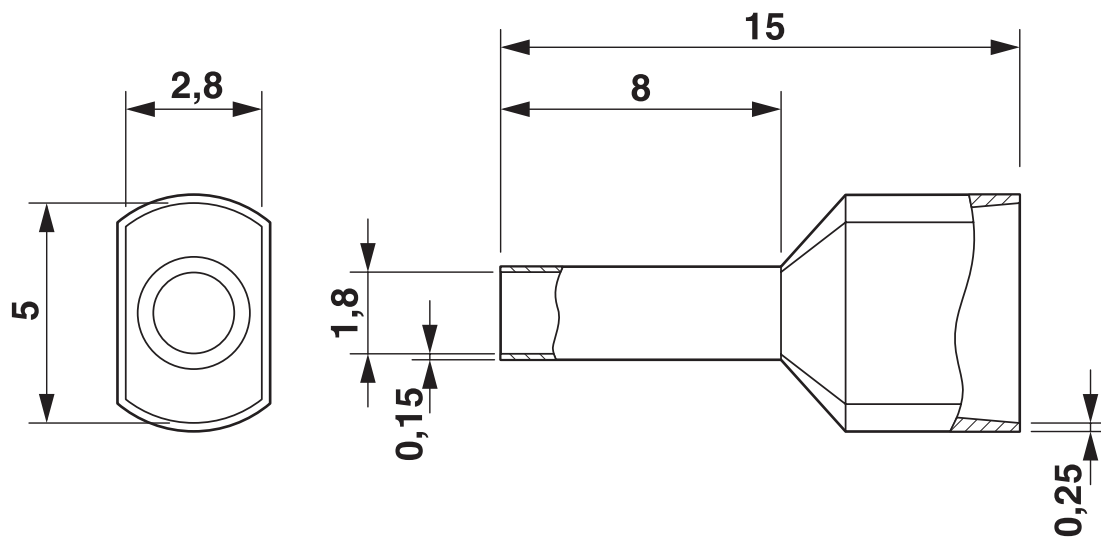
3200807

<https://www.phoenixcontact.com/pc/products/3200807>



## Drawings

Dimensional drawing




# Ferrule - AI-TWIN 2X 0,75- 8 GY



3200807

<https://www.phoenixcontact.com/pc/products/3200807>

## Approvals


 **CSA**  
Approval ID: 247397

 **UL Listed**  
Approval ID: E488001

|  | Nominal Voltage $U_N$ | Nominal Current $I_N$ | Cross Section AWG | Cross Section $\text{mm}^2$ |
|--|-----------------------|-----------------------|-------------------|-----------------------------|
|  |                       |                       | -                 | -                           |

 **cUL Listed**  
Approval ID: E488001

|  | Nominal Voltage $U_N$ | Nominal Current $I_N$ | Cross Section AWG | Cross Section $\text{mm}^2$ |
|--|-----------------------|-----------------------|-------------------|-----------------------------|
|  |                       |                       | -                 | -                           |

 **CSAus**  
Approval ID: 247397

**cULus Listed**

**cCSAus**

# Ferrule - AI-TWIN 2X 0,75- 8 GY



3200807

<https://www.phoenixcontact.com/pc/products/3200807>

## Classifications

### ECLASS

|               |          |
|---------------|----------|
| ECLASS-9.0    | 27400201 |
| ECLASS-10.0.1 | 27400201 |
| ECLASS-11.0   | 27400201 |

### ETIM

|          |          |
|----------|----------|
| ETIM 8.0 | EC000005 |
|----------|----------|

### UNSPSC

|             |          |
|-------------|----------|
| UNSPSC 21.0 | 27121700 |
|-------------|----------|

# Ferrule - AI-TWIN 2X 0,75- 8 GY

3200807

<https://www.phoenixcontact.com/pc/products/3200807>



## Environmental Product Compliance

|            |   |
|------------|---|
| China RoHS | Environmentally friendly use period: unlimited = EFUP-e |
|            | No hazardous substances above threshold values          |



# Ferrule - AI-TWIN 2X 0,75- 8 GY

3200807

<https://www.phoenixcontact.com/pc/products/3200807>



## Accessories

### Crimping pliers

Crimping pliers - CRIMPFOX CENTRUS 6S - 1213144

<https://www.phoenixcontact.com/pc/products/1213144>



Crimping pliers, for uninsulated and insulated ferrules, DIN 46228 Part 1 and 4, from 0.14 mm<sup>2</sup> ... 6 mm<sup>2</sup>, also for TWIN ferrules up to 2 x 4 mm<sup>2</sup>, automatic cross section adjustment, lateral insertion, equipped with fall protection

---

### Crimping pliers

Crimping pliers - CRIMPFOX CENTRUS 10S - 1213154

<https://www.phoenixcontact.com/pc/products/1213154>



Crimping pliers, for uninsulated and insulated ferrules, DIN 46228 Part 1 and 4, from 0.14 mm<sup>2</sup> ... 10 mm<sup>2</sup>, also for TWIN ferrules up to 2 x 4 mm<sup>2</sup>, automatic cross section adjustment, lateral insertion, equipped with fall protection

# Ferrule - AI-TWIN 2X 0,75- 8 GY

3200807

<https://www.phoenixcontact.com/pc/products/3200807>

## Crimping pliers

Crimping pliers - CRIMPFOX CENTRUS 6H - 1213146

<https://www.phoenixcontact.com/pc/products/1213146>



Crimping pliers, for uninsulated and insulated ferrules, DIN 46228 Part 1 and 4, from 0.14 mm<sup>2</sup> ... 6 mm<sup>2</sup>, also for TWIN ferrules up to 2 x 4 mm<sup>2</sup>, automatic cross section adjustment, lateral insertion, equipped with fall protection

---

## Crimping pliers

Crimping pliers - CRIMPFOX CENTRUS 10H - 1213156

<https://www.phoenixcontact.com/pc/products/1213156>



Crimping pliers, for uninsulated and insulated ferrules, DIN 46228 Part 1 and 4, from 0.14 mm<sup>2</sup> ... 10 mm<sup>2</sup>, also for TWIN ferrules up to 2 x 4 mm<sup>2</sup>, automatic cross section adjustment, lateral insertion, equipped with fall protection

# Ferrule - AI-TWIN 2X 0,75- 8 GY

3200807

<https://www.phoenixcontact.com/pc/products/3200807>

## Crimping pliers

Crimping pliers - CRIMPFOX 2,5-M - 1212719

<https://www.phoenixcontact.com/pc/products/1212719>



Crimping pliers, for ferrules without insulating collar according to DIN 46228 Part 1 and ferrules with insulating collar according to DIN 46228 Part 4, 0.25 mm<sup>2</sup> ... 2.5 mm<sup>2</sup>, lateral entry, trapezoidal crimp

---

## Crimping pliers

Crimping pliers - CRIMPFOX 6-M - 1212720

<https://www.phoenixcontact.com/pc/products/1212720>



Crimping pliers, for ferrules without insulating collar according to DIN 46228 Part 1 and ferrules with insulating collar according to DIN 46228 Part 4, 0.25 mm<sup>2</sup> ... 6.0 mm<sup>2</sup>, lateral entry, trapezoidal crimp

# Ferrule - AI-TWIN 2X 0,75- 8 GY

3200807

<https://www.phoenixcontact.com/pc/products/3200807>

## Crimping pliers

Crimping pliers - CRIMPFOX 6 - 1212034

<https://www.phoenixcontact.com/pc/products/1212034>



Crimping pliers, for ferrules without insulating collar according to DIN 46228 Part 1 and ferrules with insulating collar according to DIN 46228 Part 4, 0.25 mm<sup>2</sup> ... 6.0 mm<sup>2</sup>, lateral entry, trapezoidal crimp

---

## Crimping pliers

Crimping pliers - CRIMPFOX 6T - 1212037

<https://www.phoenixcontact.com/pc/products/1212037>



Crimping pliers, for ferrules without insulating collar according to DIN 46228 Part 1 and ferrules with insulating collar according to DIN 46228 Part 4, 0.25 mm<sup>2</sup> ... 6 mm<sup>2</sup>, lateral entry, trapezoidal crimp

# Ferrule - AI-TWIN 2X 0,75- 8 GY

3200807

<https://www.phoenixcontact.com/pc/products/3200807>

## Crimping pliers

Crimping pliers - CRIMPFOX 6T-F - 1212038

<https://www.phoenixcontact.com/pc/products/1212038>



Crimping pliers, for ferrules without insulating collar according to DIN 46228 Part 1 and ferrules with insulating collar according to DIN 46228 Part 4, 0.25 mm<sup>2</sup> ... 6 mm<sup>2</sup>, front entry, trapezoidal crimp

---

## Crimping pliers

Crimping pliers - CRIMPFOX 6S-F - 1212043

<https://www.phoenixcontact.com/pc/products/1212043>



Crimping pliers, for ferrules without insulating collar according to DIN 46228 Part 1 and ferrules with insulating collar according to DIN 46228 Part 4, 0.5 mm<sup>2</sup> ... 6 mm<sup>2</sup>, front entry, square crimp

# Ferrule - AI-TWIN 2X 0,75- 8 GY

3200807

<https://www.phoenixcontact.com/pc/products/3200807>

## Crimping pliers

Crimping pliers - CRIMPFOX DUO 10 - 1031721

<https://www.phoenixcontact.com/pc/products/1031721>



Crimping pliers, type of contact: Insulated and uninsulated ferrules, min. cross section:  $0.14 \text{ mm}^2$ , max. cross section:  $10 \text{ mm}^2$ , for TWIN ferrules up to  $2 \times 4 \text{ mm}^2$ , automatic cross section adjustment, rotating die, lateral and frontal insertion, compression: Trapezoidal crimp, black/green

---

## Crimping pliers

Crimping pliers - CRIMPFOX 10T-F - 1134913

<https://www.phoenixcontact.com/pc/products/1134913>



Crimping pliers, type of contact: Insulated and uninsulated ferrules, standards/specifications: DIN 46228-1, DIN 46228-4, min. cross section:  $0.14 \text{ mm}^2$ , max. cross section:  $10 \text{ mm}^2$ , For TWIN ferrules up to  $2 \times 4 \text{ mm}^2$ , automatic cross section adjustment, frontal insertion, compression: Trapezoidal crimp, black

---

Phoenix Contact 2022 © - all rights reserved  
<https://www.phoenixcontact.com>

PHOENIX CONTACT GmbH & Co. KG  
Flachsmarktstraße 8  
D-32825 Blomberg  
+49 (0) 5235-3 00  
[info@phoenixcontact.com](mailto:info@phoenixcontact.com)