

Ferrule - AI 16 -12 WH

3200140

<https://www.phoenixcontact.com/pc/products/3200140>



Please be informed that the data shown in this PDF document is generated from our Online Catalog. Please find the complete data in the user documentation. Our General Terms of Use for Downloads are valid.

Ferrule, sleeve length: 12 mm, length: 24 mm, color: white



Ferrule - AI 16 -12 WH



3200140

<https://www.phoenixcontact.com/pc/products/3200140>

Commercial Data

Item number	3200140
Packing unit	100 pc
Minimum order quantity	100 pc
Sales Key	05
Product Key	BH3411
Catalog Page	Page 483 (C-3-2019)
GTIN	4017918093792
Weight per Piece (including packing)	0.76 g
Weight per Piece (excluding packing)	0.75 g
Customs tariff number	85369010
Country of origin	DE

Ferrule - AI 16 -12 WH

3200140

<https://www.phoenixcontact.com/pc/products/3200140>

Technical Data

Product properties

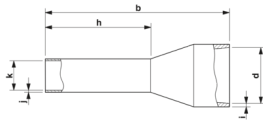
Product type	Ferrule
Conductor category	Stranded conductors, class 2, 5, 6 / B, C, K, M

Connection data

Conductor connection

Conductor cross section flexible max.	16 mm ²
Conductor cross section AWG max.	6
Stripping length	16 mm

Dimensions

Dimensional drawing	
Length	24 mm
Sleeve length	12 mm
Maximum stripping length	16 mm
Ferrule diameter	5.8 mm
Sleeve wall thickness	0.2 mm
Insulating collar thickness	0.4 mm
Inner dimensions of the insulating collar	8.8 mm

Material specifications

Color	white
Material	CU-DHP
Flammability rating according to UL 94	HB
Coating	tin-plated (galvanic)
Components	free from silicone and halogen

Connector

Material	CU-DHP
Material	CU-DHP

Mechanical properties

Technical data

Sleeve length	12 mm
---------------	-------

Environmental and real-life conditions

Ferrule - AI 16 -12 WH



3200140

<https://www.phoenixcontact.com/pc/products/3200140>

Ambient conditions

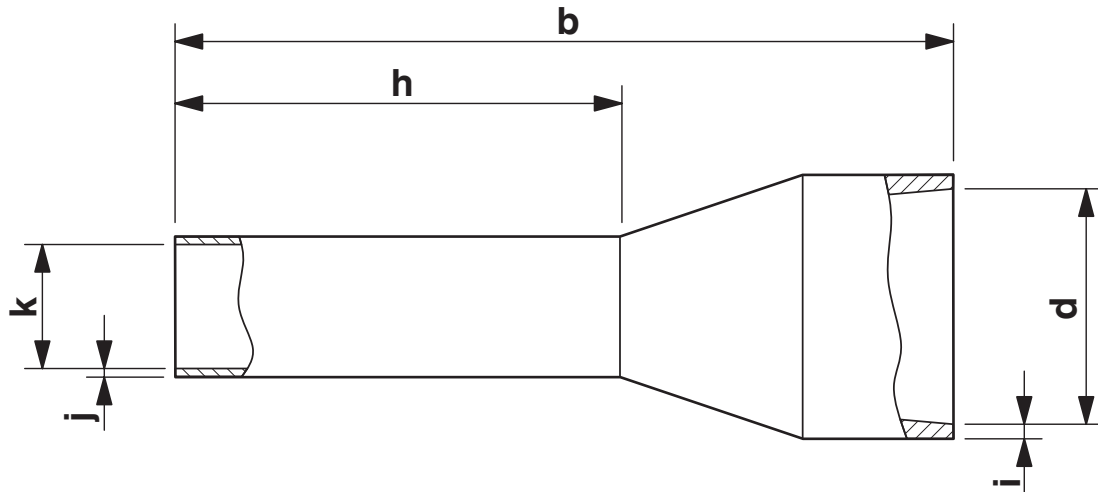
Permanent temperature	105 °C (-40°C no load / 0°C dynamic load)
Short-term temperature	120 °C

Standards and regulations

Design according to standard	DIN 46228-4:2017-05
------------------------------	---------------------

Drawings

Dimensional drawing



Length (b), sleeve length (h), insulating collar inner dimension (d), sleeve diameter (k), insulating collar thickness (i), sleeve wall thickness (j)

Ferrule - AI 16 -12 WH

3200140

<https://www.phoenixcontact.com/pc/products/3200140>



Approvals



CSA

Approval ID: 247397

Ferrule - AI 16 -12 WH



3200140

<https://www.phoenixcontact.com/pc/products/3200140>

Classifications

ECLASS

ECLASS-9.0	27400201
ECLASS-10.0.1	27400201
ECLASS-11.0	27400201

ETIM

ETIM 8.0	EC000005
----------	----------

UNSPSC

UNSPSC 21.0	27121700
-------------	----------

Ferrule - AI 16 -12 WH

3200140

<https://www.phoenixcontact.com/pc/products/3200140>



Environmental Product Compliance

China RoHS

Environmentally friendly use period: unlimited = EFUP-e

No hazardous substances above threshold values

Phoenix Contact 2022 © - all rights reserved
<https://www.phoenixcontact.com>

PHOENIX CONTACT GmbH & Co. KG
Flachmarktstraße 8
D-32825 Blomberg
+49 (0) 5235-3 00
info@phoenixcontact.com