

RJ45 sleeve housings - VS-08-T-H-RJ45/IP67

1652732

<https://www.phoenixcontact.com/pc/products/1652732>

Please be informed that the data shown in this PDF document is generated from our Online Catalog. Please find the complete data in the user documentation. Our General Terms of Use for Downloads are valid.



RJ45 sleeve housings, type: RJ45, degree of protection: IP67, number of positions: 8, material: PA, cable outlet: straight, color: traffic grey A RAL 7042, Ethernet

Your advantages

- High-quality and inexpensive solution in the IP protection zone
- Simple operation
- IP65/67

RJ45 sleeve housings - VS-08-T-H-RJ45/IP67



1652732

<https://www.phoenixcontact.com/pc/products/1652732>

Commercial Data

| | |
|--------------------------------------|--------------------------------|
| Item number | 1652732 |
| Packing unit | 5 pc |
| Minimum order quantity | 1 pc |
| Note | Made to Order (non-returnable) |
| Product Key | ABNDAG |
| Catalog Page | Page 350 (C-2-2019) |
| GTIN | 4017918952877 |
| Weight per Piece (including packing) | 13.92 g |
| Weight per Piece (excluding packing) | 13.92 g |
| Customs tariff number | 85389099 |
| Country of origin | DE |

RJ45 sleeve housings - VS-08-T-H-RJ45/IP67

1652732

<https://www.phoenixcontact.com/pc/products/1652732>

Technical Data

Product properties

| | |
|----------------------|-----------------|
| Type | RJ45 |
| Product type | Sleeve housings |
| Number of positions | 8 |
| No. of cable outlets | 1 |
| Cable outlet | straight |

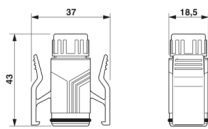
Insulation characteristics

| | |
|----------------------|---|
| Overvoltage category | I |
| Degree of pollution | 2 |

Electrical properties

| | |
|-----------------------|-----------|
| Rated voltage (III/3) | 72 V (DC) |
|-----------------------|-----------|

Dimensions

| | |
|---------------------|--|
| Dimensional drawing |  |
| Width | 38.4 mm |
| Height | 19.9 mm |
| Length | 45 mm |

Material specifications

| | |
|--|-------------------------|
| Color | traffic grey A RAL 7042 |
| Flammability rating according to UL 94 | V0 |
| Cable seal material | NBR |
| O-ring material | FPM |
| Housing material | PA |

Connector

| | |
|-----------------------------|--------|
| Insertion/withdrawal cycles | ≥ 1000 |
|-----------------------------|--------|

Cable / line

Cable structure

| | |
|-------------------------|-----------------|
| External cable diameter | 5 mm ... 8.5 mm |
|-------------------------|-----------------|

Environmental and real-life conditions

Ambient conditions

| | |
|---------------------------------|------------------|
| Degree of protection | IP67 |
| Ambient temperature (operation) | -40 °C ... 80 °C |

RJ45 sleeve housings - VS-08-T-H-RJ45/IP67

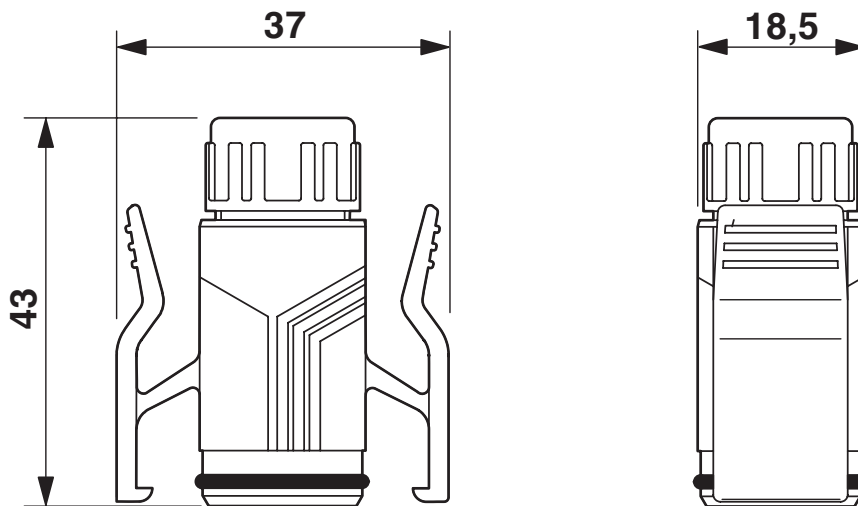
1652732

<https://www.phoenixcontact.com/pc/products/1652732>



Drawings

Dimensional drawing



RJ45 sleeve housing IP67

RJ45 sleeve housings - VS-08-T-H-RJ45/IP67



1652732

<https://www.phoenixcontact.com/pc/products/1652732>

Approvals



EAC

Approval ID: B.01687

RJ45 sleeve housings - VS-08-T-H-RJ45/IP67



1652732

<https://www.phoenixcontact.com/pc/products/1652732>

Classifications

ECLASS

| | |
|---------------|----------|
| ECLASS-9.0 | 27440202 |
| ECLASS-10.0.1 | 27440202 |
| ECLASS-11.0 | 27440202 |

ETIM

| | |
|----------|----------|
| ETIM 8.0 | EC000437 |
|----------|----------|

UNSPSC

| | |
|-------------|----------|
| UNSPSC 21.0 | 31261500 |
|-------------|----------|

RJ45 sleeve housings - VS-08-T-H-RJ45/IP67



1652732

<https://www.phoenixcontact.com/pc/products/1652732>

Environmental Product Compliance

| | |
|------------|---|
| China RoHS | Environmentally friendly use period: unlimited = EFUP-e |
| | No hazardous substances above threshold values |

RJ45 sleeve housings - VS-08-T-H-RJ45/IP67

1652732

<https://www.phoenixcontact.com/pc/products/1652732>

Accessories

Protective cover

Protective cover - VS-SCRJ-PC - 1653757

<https://www.phoenixcontact.com/pc/products/1653757>



IP67 protective cover, for covering the male inserts in the sleeve housings IP67, VS-SC-RJ-..., VS-04-..., VS-06-... and VS-08-...

RJ45 male insert

RJ45 male insert - VS-08-ST-H11-RJ45 - 1652716

<https://www.phoenixcontact.com/pc/products/1652716>



RJ45 pin insert, CAT5, 8-pos., shielded, IDC connection technology, for 27 ... 26 AWG litz wires, with strain relief

RJ45 sleeve housings - VS-08-T-H-RJ45/IP67

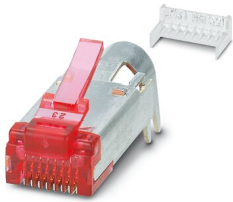
1652732

<https://www.phoenixcontact.com/pc/products/1652732>

RJ45 male insert

RJ45 male insert - VS-08-ST-H21-RJ45 - 1652729

<https://www.phoenixcontact.com/pc/products/1652729>



RJ45 male insert, CAT6, 8-pos., shielded, IDC displacement connection, for litz wire AWG 25 ... 24 and solid wires AWG 24, with strain relief

RJ45 male insert

RJ45 male insert - VS-08-RJ45-10G/C - 1418853

<https://www.phoenixcontact.com/pc/products/1418853>



Male insert RJ45, CAT6_A, 10 Gigabit

Phoenix Contact 2022 © - all rights reserved
<https://www.phoenixcontact.com>

PHOENIX CONTACT GmbH & Co. KG
Flachsmarktstraße 8
D-32825 Blomberg
+49 (0) 5235-3 00
info@phoenixcontact.com