

# Flush-type connector - SACC-E-M 8MS-3CON-M8/0,5



1500334

<https://www.phoenixcontact.com/pc/products/1500334>

Please be informed that the data shown in this PDF document is generated from our Online Catalog. Please find the complete data in the user documentation. Our General Terms of Use for Downloads are valid.

---



Flush-type connector, 3-position, Plug, straight, M8, Front mounting, M8 x 0.5, Individual wires, cable length: 0.5 m, 0.25 mm<sup>2</sup>, PVC litz wire

---

## Your advantages

- Pre-assembled with litz wires for immediate use
- Customer-specific assemblies and litz wire lengths available
- Sealed on the litz wire side for optimum leak-tightness
- Standard pin assignments and codings for signal transmission with a uniform design-in design

# Flush-type connector - SACC-E-M 8MS-3CON-M8/0,5



1500334

<https://www.phoenixcontact.com/pc/products/1500334>

## Commercial Data

Item number	1500334
Packing unit	1 pc
Minimum order quantity	1 pc
Note	Made to Order (non-returnable)
Sales Key	02
Product Key	ABQBBA
Catalog Page	Page 33 (C-2-2019)
GTIN	4017918589097
Weight per Piece (including packing)	11.5 g
Weight per Piece (excluding packing)	7.62 g
Customs tariff number	85366990
Country of origin	DE

# Flush-type connector - SACC-E-M 8MS-3CON-M8/0,5



1500334

<https://www.phoenixcontact.com/pc/products/1500334>

## Technical Data

### Product properties

Product type	Circular connectors (device side)
Number of positions	3
No. of cable outlets	1
Shielded	no
Coding	A - standard

### Insulation characteristics

Overvoltage category	II
Degree of pollution	3

### Ambient conditions

Degree of protection	IP67
Degree of protection	IP67
Ambient temperature (operation)	-25 °C ... 85 °C (Plug / socket)
	-40 °C ... 105 °C (cable, fixed installation)
	-10 °C ... 105 °C (Cable, flexible installation)

### Connector

#### Header 1

Head design	Plug
Head cable outlet	straight
Head thread type	M8

### Electrical properties

Rated surge voltage	1.5 kV
Contact resistance	≤ 3 mΩ
Insulation resistance	≥ 100 MΩ
Nominal voltage $U_N$	48 V AC
	60 V DC
Nominal current $I_N$	4 A

### Material specifications

Material	PU 2K (Grout material)
Flammability rating according to UL 94	HB
Sealing material	FKM
Contact material	Cu alloy
Contact surface material	Au
Contact carrier material	PA 6.6
Cable gland material	Nickel-plated brass

### Connection data

# Flush-type connector - SACC-E-M 8MS-3CON-M8/0,5



1500334

<https://www.phoenixcontact.com/pc/products/1500334>

## Conductor connection

Connection method	Individual wires
-------------------	------------------

## Mounting

Mounting type	Front mounting M8 x 0.5
---------------	-------------------------

## Standards and regulations

### M8

Standards/specifications	IEC 61076-2-104
--------------------------	-----------------

## Cable / line

Cable length	0.5 m
--------------	-------

### Cable structure

Cable type	PVC litz wire
Conductor material	Tin-plated Cu litz wires
Conductor structure signal line	7x 0.20 mm
AWG signal line	24
Material wire insulation	PVC / UL
Thickness, insulation	0.21 mm
Wire diameter incl. insulation	1.5 mm ±0.1 mm
Single wire, color	brown, blue, black

### Electrical properties

Nominal voltage, cable	300 V
Test voltage, cable	2000 V AC
Conductor resistance	≥ 80 Ω/km
Cable insulation resistance	≥ 20 MΩ*km

### Ambient conditions

Ambient temperature (operation)	-10 °C ... 105 °C (Cable, flexible installation)
	-40 °C ... 105 °C (cable, fixed installation)

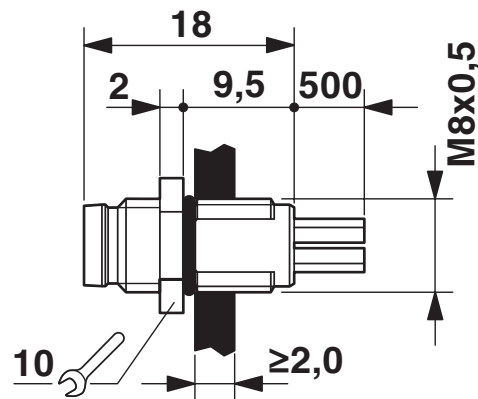
# Flush-type connector - SACC-E-M 8MS-3CON-M8/0,5

1500334

<https://www.phoenixcontact.com/pc/products/1500334>

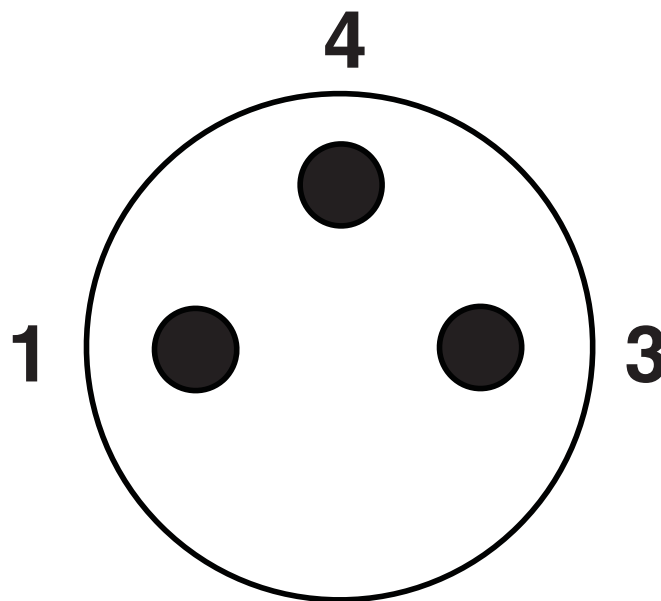
## Drawings

Dimensional drawing



M8 flush-type plug

Schematic diagram



Pin assignment M8 plug, 3-pos., view male side

# Flush-type connector - SACC-E-M 8MS-3CON-M8/0,5




1500334

<https://www.phoenixcontact.com/pc/products/1500334>

## Approvals

 <b>cUL Recognized</b> Approval ID: FILE E 221474				
	Nominal Voltage $U_N$	Nominal Current $I_N$	Cross Section AWG	Cross Section $\text{mm}^2$
	30 V	4 A	-	-

 <b>UL Recognized</b> Approval ID: FILE E 221474				
	Nominal Voltage $U_N$	Nominal Current $I_N$	Cross Section AWG	Cross Section $\text{mm}^2$
	30 V	4 A	-	-

 <b>EAC</b> Approval ID: B.01687	
--	--

<b>cULus Recognized</b>	
-------------------------	--

# Flush-type connector - SACC-E-M 8MS-3CON-M8/0,5



1500334

<https://www.phoenixcontact.com/pc/products/1500334>

## Classifications

### ECLASS

ECLASS-9.0	27440102
ECLASS-10.0.1	27440102
ECLASS-11.0	27440102

### ETIM

ETIM 8.0	EC002635
----------	----------

### UNSPSC

UNSPSC 21.0	39121400
-------------	----------

# Flush-type connector - SACC-E-M 8MS-3CON-M8/0,5



1500334

<https://www.phoenixcontact.com/pc/products/1500334>

## Environmental Product Compliance

REACH SVHC	Lead 7439-92-1
China RoHS	Environmentally Friendly Use Period = 50 years
	For information on hazardous substances, refer to the manufacturer's declaration available under "Downloads"



# Flush-type connector - SACC-E-M 8MS-3CON-M8/0,5



1500334

<https://www.phoenixcontact.com/pc/products/1500334>

## Accessories

### Flat nut

Flat nut - SACC-E-MU-M8X0,5 - 1504071

<https://www.phoenixcontact.com/pc/products/1504071>

Flat nut with M8 thread



---

Phoenix Contact 2022 © - all rights reserved  
<https://www.phoenixcontact.com>

PHOENIX CONTACT GmbH & Co. KG  
Flachsmarktstraße 8  
D-32825 Blomberg  
+49 (0) 5235-3 00  
[info@phoenixcontact.com](mailto:info@phoenixcontact.com)