

Connector - SACC-M12MS-4QO-0,34



1641714

<https://www.phoenixcontact.com/pc/products/1641714>

Please be informed that the data shown in this PDF document is generated from our Online Catalog. Please find the complete data in the user documentation. Our General Terms of Use for Downloads are valid.



Connector, Universal, 4-position, Plug straight M12, Coding: A, Insulation displacement connection, knurl material: Plastic, external cable diameter 3.5 mm ... 6 mm

Your advantages

- Safe use in the field, thanks to a high degree of protection
- Insulation displacement connection: innovative and time-saving assembly without stripping the single wire

Connector - SACC-M12MS-4QO-0,34



1641714

<https://www.phoenixcontact.com/pc/products/1641714>

Commercial Data

Item number	1641714
Packing unit	1 pc
Minimum order quantity	1 pc
Product Key	BF2CCA
Catalog Page	Page 20 (C-2-2019)
GTIN	4017918925161
Weight per Piece (including packing)	11.7 g
Weight per Piece (excluding packing)	11.1 g
Customs tariff number	85366990
Country of origin	DE

Connector - SACC-M12MS-4QO-0,34

1641714

<https://www.phoenixcontact.com/pc/products/1641714>

Technical Data

Notes

Assembly instruction:

NOTE: Observe the permissible bending radii when laying conductors, since the degree of protection may be put in jeopardy if the bending forces are too high. Alleviate mechanical loads upstream of the connector, e.g. by using cable ties.

Product properties

Product type	Circular connector (cable-side)
Number of positions	4
No. of cable outlets	1
Shielded	no
Coding	A - standard
Cable outlet	straight

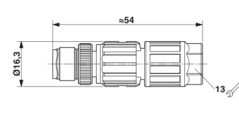
Insulation characteristics

Overvoltage category	III
Degree of pollution	3

Ambient conditions

Degree of protection	IP65 IP67
Ambient temperature (operation)	-25 °C ... 80 °C (Plug / socket)
Ambient temperature (assembly)	-5 °C ... 50 °C (During assembly)

Dimensions

Dimensional drawing	
Length	54 mm

External dimensions

Outside diameter	3.5 mm ... 6 mm
------------------	-----------------

Housing

Diameter housing	16.3 mm
------------------	---------

Connector

Insertion/withdrawal cycles	≥ 100
-----------------------------	-------

Header 1

Head design	Plug
Head cable outlet	straight

Connector - SACC-M12MS-4QO-0,34



1641714

<https://www.phoenixcontact.com/pc/products/1641714>

Head thread type	M12
Coding	A-coded

Electrical properties

Rated surge voltage	2.5 kV
Contact resistance	≤ 5 mΩ
Insulation resistance	≥ 100 MΩ
Nominal voltage U _N	125 V AC
	125 V DC
Nominal current I _N	4 A

Material specifications

Color Handle area	black
Flammability rating according to UL 94	V0
Sealing material	NBR
Material of grip body	PA 6
Contact material	CuSn
Contact surface material	Ni/Au
Contact carrier material	TPU
Cable gland material	Plastic
Wire insulation material	PVC / PE / PP / rubber

Connection data

Conductor connection

Connection method	Insulation displacement connection
Conductor cross section flexible	0.14 mm ² ... 0.34 mm ²
Cross section AWG	26 ... 22

Pin assignment

Contact Color (signal designation) Contact (optional)	1 = BN
	2 = WH
	3 = BU
	4 = BK

Mounting

Assembly instructions	AWG 20 conductor cross section upon request
-----------------------	---

Standards and regulations

M12

Standards/specifications	according to IEC 61076-2-101
--------------------------	------------------------------

Cable / line

Cable structure

Signal type/category	Universal
----------------------	-----------

Connector - SACC-M12MS-4QO-0,34



1641714

<https://www.phoenixcontact.com/pc/products/1641714>

External cable diameter	3.5 mm ... 6 mm
-------------------------	-----------------

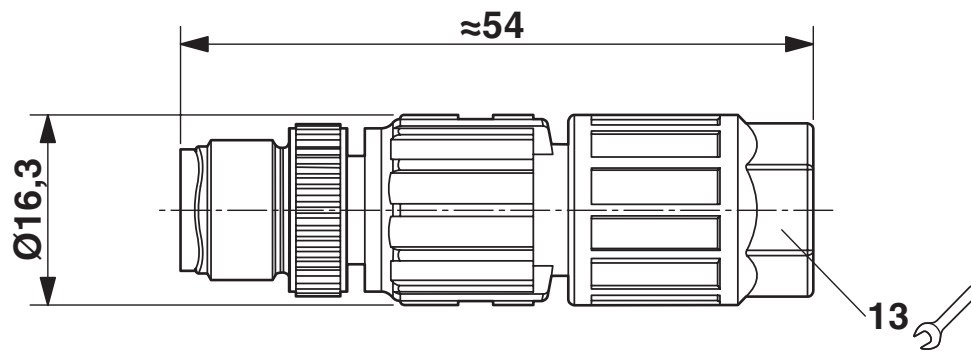
Connector - SACC-M12MS-4QO-0,34

1641714

<https://www.phoenixcontact.com/pc/products/1641714>

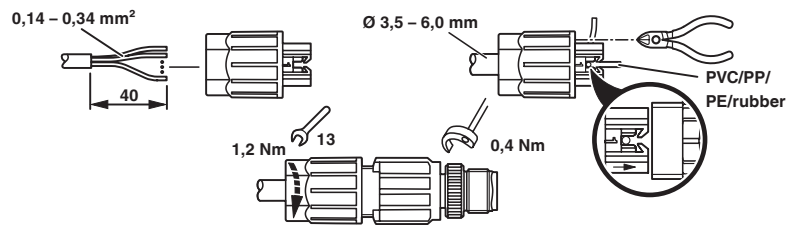
Drawings

Dimensional drawing



Plug, M12 x 1, straight, shielded

Functional drawing



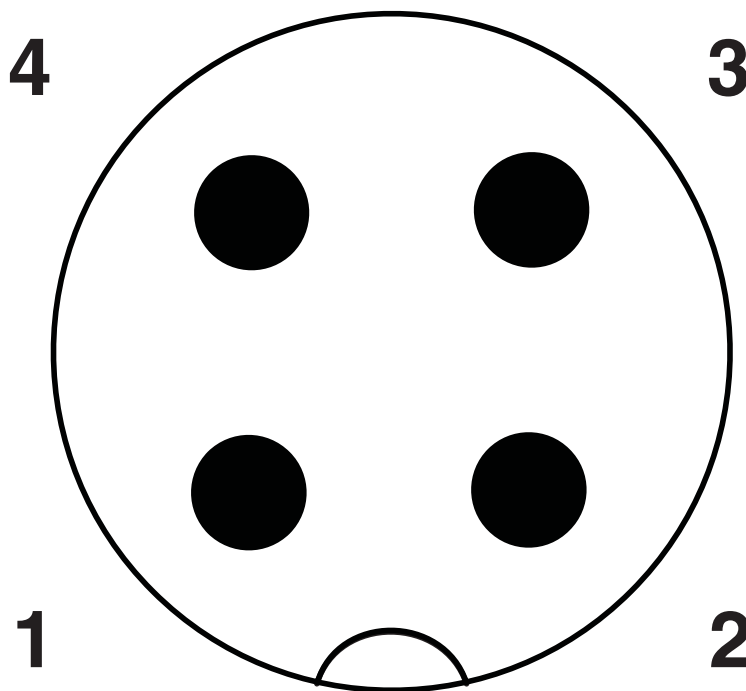
Connector - SACC-M12MS-4QO-0,34

1641714

<https://www.phoenixcontact.com/pc/products/1641714>



Schematic diagram



Pin assignment M12 plug, 4-pos., A-coded, view plug side

Connector - SACC-M12MS-4QO-0,34





1641714

<https://www.phoenixcontact.com/pc/products/1641714>

Approvals

 cUL Recognized Approval ID: FILE E 118976				
	Nominal Voltage U_N	Nominal Current I_N	Cross Section AWG	Cross Section mm^2
	300 V	4 A	-	-

 UL Recognized Approval ID: FILE E 118976				
	Nominal Voltage U_N	Nominal Current I_N	Cross Section AWG	Cross Section mm^2
	300 V	4 A	-	-

 EAC Approval ID: EAC-Zulassung	
--	--

 EAC Approval ID: RU C-DE.BL08.B.00511	
---	--

cULus Recognized	
-------------------------	--

Connector - SACC-M12MS-4QO-0,34



1641714

<https://www.phoenixcontact.com/pc/products/1641714>

Classifications

ECLASS

ECLASS-10.0.1	27440102
ECLASS-9.0	27440102
ECLASS-11.0	27440102

ETIM

ETIM 8.0	EC002635
----------	----------

UNSPSC

UNSPSC 21.0	39121400
-------------	----------

Connector - SACC-M12MS-4QO-0,34



1641714

<https://www.phoenixcontact.com/pc/products/1641714>

Environmental Product Compliance

China RoHS	Environmentally friendly use period: unlimited = EFUP-e
	No hazardous substances above threshold values

Connector - SACC-M12MS-4QO-0,34



1641714

<https://www.phoenixcontact.com/pc/products/1641714>

Accessories

Cable reel

Cable reel - SAC-4P-100,0-PUR/0,25 - 1501692

<https://www.phoenixcontact.com/pc/products/1501692>



By the meter, Cable reel, PUR halogen-free, black-gray RAL 7021, 4-wire, color single wire: brown, white, blue, black, cable length: 100 m

Cable reel

Cable reel - SAC-4P-100,0-PUR/0,34 - 1501663

<https://www.phoenixcontact.com/pc/products/1501663>



By the meter, Cable reel, PUR halogen-free, black-gray RAL 7021, 4-wire, color single wire: brown, white, blue, black, cable length: 100 m

Connector - SACC-M12MS-4QO-0,34



1641714

<https://www.phoenixcontact.com/pc/products/1641714>

Torque screwdriver

Torque screwdriver - TSD 04 SAC - 1208429

<https://www.phoenixcontact.com/pc/products/1208429>



Torque screwdriver, with preset torque of 0.4 Nm and 4 mm hexagonal drive for M12 connectors

Torque screwdriver

Torque screwdriver - TSD-M 1,2NM - 1212224

<https://www.phoenixcontact.com/pc/products/1212224>



Torque screw driver, accuracy as per EN ISO 6789 standard, adjustable from 0.3 - 1.2 Nm

Connector - SACC-M12MS-4QO-0,34



1641714

<https://www.phoenixcontact.com/pc/products/1641714>

Adapter insert

Adapter insert - TSD-M SAC-BIT ADAPTER - 1212600

<https://www.phoenixcontact.com/pc/products/1212600>



Adapter bit for TSD-M...torque tools, E6.3-1/4" drive with 4 mm hexagon to accommodate SAC bits

Sealing cap

Sealing cap - PROT-M12 FS-PA-CHAIN - 1430873

<https://www.phoenixcontact.com/pc/products/1430873>



M12 sealing cap made of plastic with fixing band, for sensor cables, for free M12 plugs

Connector - SACC-M12MS-4QO-0,34



1641714

<https://www.phoenixcontact.com/pc/products/1641714>

Tool

Tool - SAC BIT M12-D15 - 1208432

<https://www.phoenixcontact.com/pc/products/1208432>



Nut for assembling sensor/actuator cables with M12 connector and M12 connectors for assembly, with a knurl diameter of 15 mm, for 4 mm hexagonal drive

Tool

Tool - SAC BIT QUICKON-W13 - 1212033

<https://www.phoenixcontact.com/pc/products/1212033>



Nut for assembling pressure nuts with 13 mm wrench size, for 4 mm hexagonal drive

Phoenix Contact 2022 © - all rights reserved
<https://www.phoenixcontact.com>

PHOENIX CONTACT GmbH & Co. KG
Flachsmarktstraße 8
D-32825 Blomberg
+49 (0) 5235-3 00
info@phoenixcontact.com