

# Connector - SACC-M12MS-5CON-PG11-DUO



1662285

<https://www.phoenixcontact.com/pc/products/1662285>

Please be informed that the data shown in this PDF document is generated from our Online Catalog. Please find the complete data in the user documentation. Our General Terms of Use for Downloads are valid.

---



Connector, Universal, 5-position, Plug straight M12, Coding: A, Screw connection, knurl material: Plastic, cable gland Pg11-DUO, external cable diameter 2.1 mm ... 3 mm / 4 mm ... 5.2 mm

---

## Your advantages

- Safe use in the field, thanks to a high degree of protection
- Screw connection: proven connection technology for a large selection of different conductors
- Save space: connect two sensors to one connector with a multiple grommet

# Connector - SACC-M12MS-5CON-PG11-DUO



1662285

<https://www.phoenixcontact.com/pc/products/1662285>

## Commercial Data

Item number	1662285
Packing unit	1 pc
Minimum order quantity	1 pc
Sales Key	02
Product Key	BF2CAA
Catalog Page	Page 25 (C-2-2019)
GTIN	4017918100438
Weight per Piece (including packing)	24.98 g
Weight per Piece (excluding packing)	24.98 g
Customs tariff number	85366990
Country of origin	DE

## Technical Data

### Notes

Assembly instruction:

**NOTE:** Observe the permissible bending radii when laying conductors, since the degree of protection may be put in jeopardy if the bending forces are too high. Alleviate mechanical loads upstream of the connector, e.g. by using cable ties.

### Product properties

Product type	Circular connector (cable-side)
Number of positions	5
No. of cable outlets	2
Shielded	no
Coding	A - standard
Cable outlet	straight
Pg screw connection	Pg11

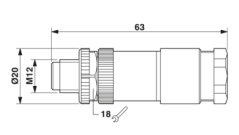
### Insulation characteristics

Overvoltage category	II
Degree of pollution	3

### Ambient conditions

Degree of protection	IP67
Ambient temperature (operation)	-40 °C ... 85 °C (Plug / socket)

### Dimensions

Dimensional drawing	
Width	20 mm
Height	20 mm
Length	63 mm

### External dimensions

Outside diameter	2x 2.1 mm ... 3 mm (when using the seal for small outer cable diameters)
	2x 4 mm ... 5.2 mm (when using the seal for large outer cable diameters)

### Housing

Diameter housing	20 mm
------------------	-------

### Connector

Insertion/withdrawal cycles	≥ 50
-----------------------------	------

# Connector - SACC-M12MS-5CON-PG11-DUO



1662285

<https://www.phoenixcontact.com/pc/products/1662285>

## Header 1

Head design	Plug
Head cable outlet	straight
Head thread type	M12
Coding	A-coded

## Electrical properties

Rated surge voltage	1.5 kV
Contact resistance	$\leq 8 \text{ m}\Omega$
Insulation resistance	$\geq 100 \text{ M}\Omega$
Nominal voltage $U_N$	48 V AC
	60 V DC
Nominal current $I_N$	4 A

## Material specifications

Color Handle area	black
Sealing material	NBR
Material of grip body	PA
Contact material	CuZn
Contact surface material	CuSnZn
Contact carrier material	PA
Cable gland material	Plastic

## Connection data

### Conductor connection

Connection method	Screw connection
Conductor cross section flexible	0.25 mm <sup>2</sup> ... 0.75 mm <sup>2</sup>
Cross section AWG	24 ... 18

## Mounting

Assembly instructions	This connector includes one seal for small and one seal for large outer cable diameters.
-----------------------	--

## Standards and regulations

Standards/specifications	IEC 61076-2-101
--------------------------	-----------------

## Cable / line

### Cable structure

Signal type/category	Universal
Stripping length of the individual wire	5 mm

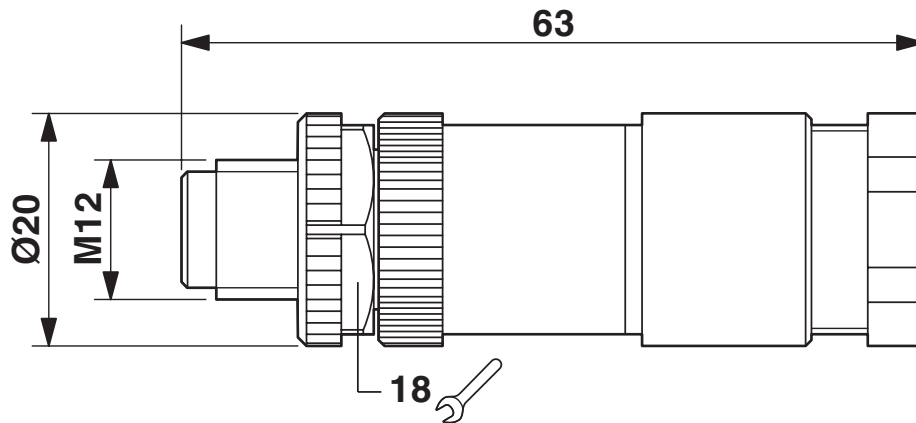
# Connector - SACC-M12MS-5CON-PG11-DUO

1662285

<https://www.phoenixcontact.com/pc/products/1662285>

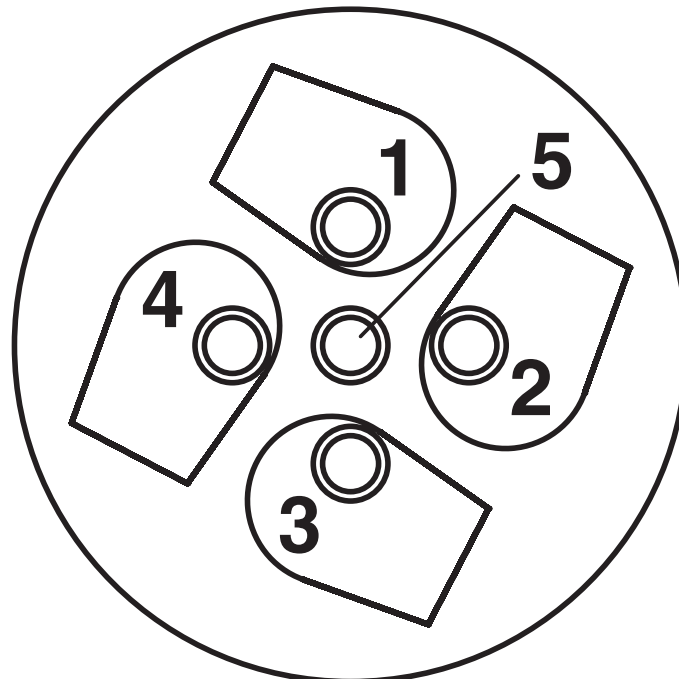
## Drawings

Dimensional drawing



Plug, M12 x 1, straight

Schematic diagram



Cable connection side M12 (screw connection)

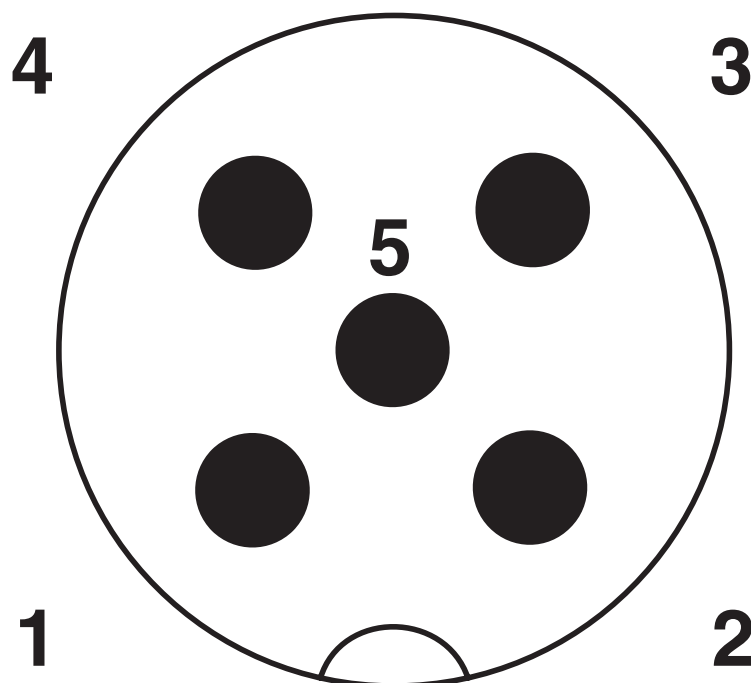
# Connector - SACC-M12MS-5CON-PG11-DUO

1662285

<https://www.phoenixcontact.com/pc/products/1662285>



Schematic diagram



Pin assignment M12 male connector, 5-pos., A-coded, male side

# Connector - SACC-M12MS-5CON-PG11-DUO



1662285

<https://www.phoenixcontact.com/pc/products/1662285>

## Approvals

 <b>cUL Recognized</b> Approval ID: FILE E 221474				
	Nominal Voltage $U_N$	Nominal Current $I_N$	Cross Section AWG	Cross Section $\text{mm}^2$
	125 V	4 A	-	-

 <b>UL Recognized</b> Approval ID: FILE E 221474				
	Nominal Voltage $U_N$	Nominal Current $I_N$	Cross Section AWG	Cross Section $\text{mm}^2$
	125 V	4 A	-	-

**cULus Recognized**

# Connector - SACC-M12MS-5CON-PG11-DUO



1662285

<https://www.phoenixcontact.com/pc/products/1662285>

## Classifications

### ECLASS

ECLASS-10.0.1	27440102
ECLASS-9.0	27440102
ECLASS-11.0	27440102

### ETIM

ETIM 8.0	EC002635
----------	----------

### UNSPSC

UNSPSC 21.0	39121400
-------------	----------



# Connector - SACC-M12MS-5CON-PG11-DUO



1662285

<https://www.phoenixcontact.com/pc/products/1662285>

## Environmental Product Compliance

REACH SVHC	Lead 7439-92-1
China RoHS	Environmentally Friendly Use Period = 50 years
	For information on hazardous substances, refer to the manufacturer's declaration available under "Downloads"

# Connector - SACC-M12MS-5CON-PG11-DUO



1662285

<https://www.phoenixcontact.com/pc/products/1662285>

## Accessories

### Cable reel

Cable reel - SAC-3P-100,0-PUR/0,25 - 1501689

<https://www.phoenixcontact.com/pc/products/1501689>



By the meter, Cable reel, PUR halogen-free, black-gray RAL 7021, 3-wire, color single wire: brown, blue, black, cable length: 100 m

---

### Cable reel

Cable reel - SAC-3P-100,0-PUR/0,34 - 1501650

<https://www.phoenixcontact.com/pc/products/1501650>



By the meter, Cable reel, PUR halogen-free, black-gray RAL 7021, 3-wire, color single wire: brown, blue, black, cable length: 100 m

# Connector - SACC-M12MS-5CON-PG11-DUO



1662285

<https://www.phoenixcontact.com/pc/products/1662285>

## Cable reel

Cable reel - SAC-4P-100,0-PUR/0,25 - 1501692

<https://www.phoenixcontact.com/pc/products/1501692>



By the meter, Cable reel, PUR halogen-free, black-gray RAL 7021, 4-wire, color single wire: brown, white, blue, black, cable length: 100 m

---

## Cable reel

Cable reel - SAC-4P-100,0-PUR/0,34 - 1501663

<https://www.phoenixcontact.com/pc/products/1501663>



By the meter, Cable reel, PUR halogen-free, black-gray RAL 7021, 4-wire, color single wire: brown, white, blue, black, cable length: 100 m

# Connector - SACC-M12MS-5CON-PG11-DUO



1662285

<https://www.phoenixcontact.com/pc/products/1662285>

## Cable reel

Cable reel - SAC-5P-100,0-PUR/0,34 - 1501676

<https://www.phoenixcontact.com/pc/products/1501676>



By the meter, Cable reel, PUR halogen-free, black-gray RAL 7021, 5-wire, color single wire: brown, white, blue, black, green-yellow, cable length: 100 m

---

## Screwdriver

Screwdriver - SZF 1-0,6X3,5 - 1204517

<https://www.phoenixcontact.com/pc/products/1204517>



Actuation tool, for ST terminal blocks, also suitable for use as a bladed screwdriver, size: 0.6 x 3.5 x 100 mm, 2-component grip, with non-slip grip

# Connector - SACC-M12MS-5CON-PG11-DUO



1662285

<https://www.phoenixcontact.com/pc/products/1662285>

## Torque screwdriver

Torque screwdriver - TSD 04 SAC - 1208429

<https://www.phoenixcontact.com/pc/products/1208429>



Torque screwdriver, with preset torque of 0.4 Nm and 4 mm hexagonal drive for M12 connectors

---

## Torque screwdriver

Torque screwdriver - TSD-M 1,2NM - 1212224

<https://www.phoenixcontact.com/pc/products/1212224>



Torque screw driver, accuracy as per EN ISO 6789 standard, adjustable from 0.3 - 1.2 Nm

# Connector - SACC-M12MS-5CON-PG11-DUO



1662285

<https://www.phoenixcontact.com/pc/products/1662285>

## Adapter insert

Adapter insert - TSD-M SAC-BIT ADAPTER - 1212600

<https://www.phoenixcontact.com/pc/products/1212600>



Adapter bit for TSD-M...torque tools, E6.3-1/4" drive with 4 mm hexagon to accommodate SAC bits

---

## Sealing cap

Sealing cap - PROT-M12 FS-PA-CHAIN - 1430873

<https://www.phoenixcontact.com/pc/products/1430873>



M12 sealing cap made of plastic with fixing band, for sensor cables, for free M12 plugs

# Connector - SACC-M12MS-5CON-PG11-DUO



1662285

<https://www.phoenixcontact.com/pc/products/1662285>

## Tool

Tool - SACC BIT M12-D20 - 1208445

<https://www.phoenixcontact.com/pc/products/1208445>

Nut for assembling M12 connectors for assembly with a knurl diameter of 20 mm, for 4 mm hexagonal drive



---

Phoenix Contact 2022 © - all rights reserved

<https://www.phoenixcontact.com>

PHOENIX CONTACT GmbH & Co. KG

Flachsmarktstraße 8

D-32825 Blomberg

+49 (0) 5235-3 00

[info@phoenixcontact.com](mailto:info@phoenixcontact.com)