

Sensor/actuator cable - SAC-3P-M12MS/0,6-PUR/A-1L-Z

1400769

<https://www.phoenixcontact.com/de/produkte/1400769>

Please be informed that the data shown in this PDF document is generated from our Online Catalog. Please find the complete data in the user documentation. Our General Terms of Use for Downloads are valid.



Sensor/actuator cable, 3-position, PUR halogen-free, black-gray RAL 7021, Plug straight M12, coding: A, on Valve connector A, with 1 LED, connected with Z diode, connected with Z diode, cable length: 0.6 m

Sensor/actuator cable - SAC-3P-M12MS/0,6-PUR/A-1L-Z



1400769

<https://www.phoenixcontact.com/de/produkte/1400769>

Commercial Data

Item number	1400769
Packing unit	1 pc
Minimum order quantity	1 pc
Sales Key	C1 - Sensor-Aktor-Kabel
Product Key	BF1DJA
GTIN	4046356509510
Weight per Piece (including packing)	52,2 g
Weight per Piece (excluding packing)	51,4 g
Customs tariff number	85444290
Country of origin	PL

Sensor/actuator cable - SAC-3P-M12MS/0,6-PUR/A-1L-Z



1400769

<https://www.phoenixcontact.com/de/produkte/1400769>

Technical Data

Product properties

Product type	Sensor/actuator cable with valve connector
Number of positions	3
No. of cable outlets	1
Shielded	no
Coding	A - standard

Insulation characteristics

Overvoltage category	III
Degree of pollution	3

Electrical properties

Contact resistance	$\leq 5 \text{ m}\Omega$
Insulation resistance	$\geq 100 \text{ M}\Omega$
Nominal voltage U_N	24 V AC
	24 V DC
Nominal current I_N	4 A
Protective circuit	Z diode

LED signaling

Status display	1 LED
Status display present	yes

Material specifications

Flammability rating according to UL 94	HB
Sealing material	TPU (Seal molded)
Material housing valve plug	TPU
Material of grip body	TPU
Contact material	CuSn
Contact surface material	Ni/Au
Contact carrier material	TPU GF
Contact material	CuSn
Valve plug contact insert material	PA 6.6
Contact surface material	Sn
Cable gland material	Zinc die-cast, nickel-plated

Connector

Insertion/withdrawal cycles	≥ 100
-----------------------------	------------

Header 1

Head design	Plug
Head cable outlet	straight
Head thread type	M12

Sensor/actuator cable - SAC-3P-M12MS/0,6-PUR/A-1L-Z



1400769

<https://www.phoenixcontact.com/de/produkte/1400769>

Coding	A
--------	---

Head 2

Head design	Valve connector
Head thread type	A
Status indicator head	1 LED

Cable / line

Cable length	0.6 m
Cable weight	30 kg/km
UL AWM Style	20549
Number of positions	3
Shielded	no
Cable type	PUR halogen-free black [PUR]
Conductor structure signal line	28x 0.15 mm
AWG signal line	20
Conductor cross section	3x 0.5 mm ²
Wire diameter incl. insulation	1.5 mm ±0.05 mm (Signal line)
External cable diameter	4.5 mm ±0.2 mm
Outer sheath, material	PUR
External sheath, color	black-gray RAL 7021
Conductor material	Bare Cu litz wires
Material wire insulation	PP
Single wire, color	black 1, black 2, green/yellow
Overall twist	3 wires, twisted
Max. conductor resistance	39 Ω/km (at 20 °C)
Insulation resistance	min. 20 MΩ*km
Nominal voltage, cable	≤ 300 V
Test voltage	≥ 1200 V
Smallest bending radius, fixed installation	22.5 mm
Max. bending cycles	15000000
Halogen-free	in accordance with DIN VDE 0472 part 815
Flame resistance	according to DIN VDE 0482 According to DIN EN 50265-2-1
Resistance to oil	in accordance with DIN EN 60811-2-1
Other resistance	largely oil-resistant partly UV-resistant in accordance with DIN EN ISO 4892-2-A
Ambient temperature (operation)	-40 °C ... 80 °C (cable, fixed installation) -20 °C ... 80 °C (Cable, flexible installation)

Cable structure

Cable type	PUR halogen-free black
External cable diameter	4.50 mm
Outer sheath, material	PUR
External sheath, color	black-gray RAL 7021

Sensor/actuator cable - SAC-3P-M12MS/0,6-PUR/A-1L-Z



1400769

<https://www.phoenixcontact.com/de/produkte/1400769>

Conductor material	Bare Cu litz wires
Conductor structure signal line	28x 0.15 mm
AWG signal line	20
Material wire insulation	PP
Single wire, color	black 1, black 2, green/yellow
Overall twist	3 concentrically twisted wires

Environmental and real-life conditions

Ambient conditions

Degree of protection	IP65
	IP67
Ambient temperature (operation)	-25 °C ... 90 °C (Plug / socket)
	-20 °C ... 85 °C (valve plug)

Standards and regulations

M12

Standards/specifications	IEC 61076-2-101
--------------------------	-----------------

M12

Standards/specifications	EN 175301-803
--------------------------	---------------

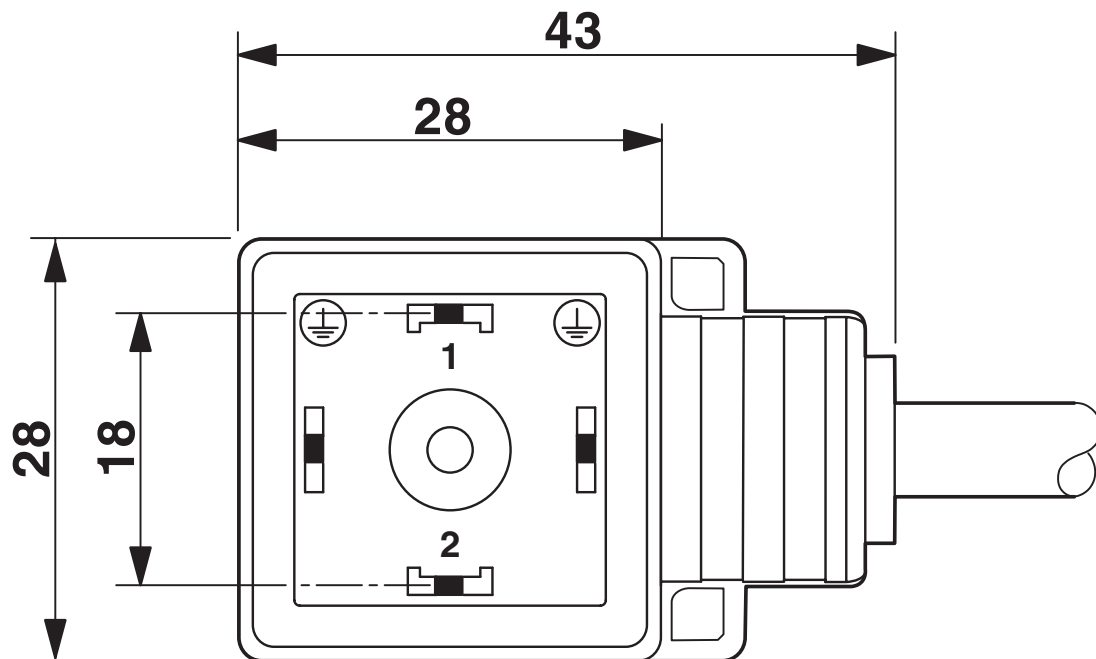
Sensor/actuator cable - SAC-3P-M12MS/0,6-PUR/A-1L-Z

1400769

<https://www.phoenixcontact.com/de/produkte/1400769>

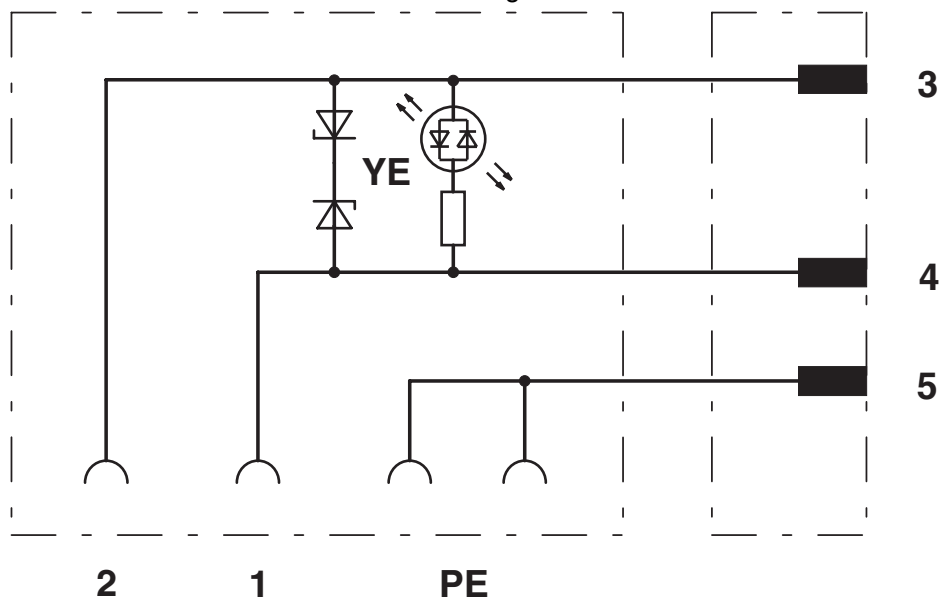
Drawings

Dimensional drawing



Valve connector, type A

Circuit diagram



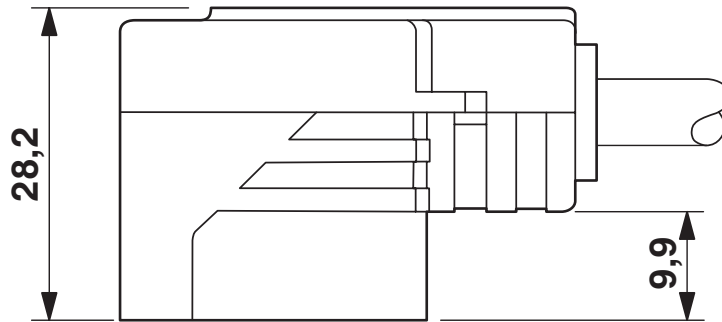
Contact assignment of M12 plug and valve connector

Sensor/actuator cable - SAC-3P-M12MS/0,6-PUR/A-1L-Z

1400769

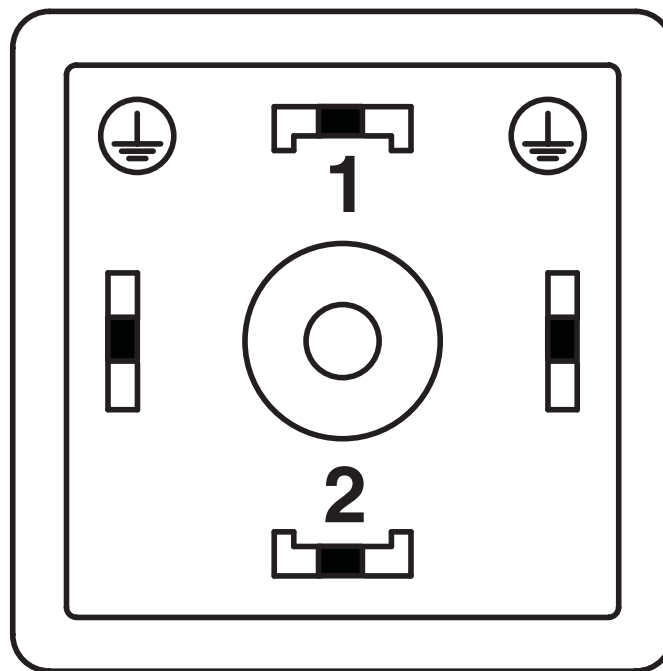
<https://www.phoenixcontact.com/de/produkte/1400769>

Dimensional drawing



Valve connector, type A, side view

Schematic diagram



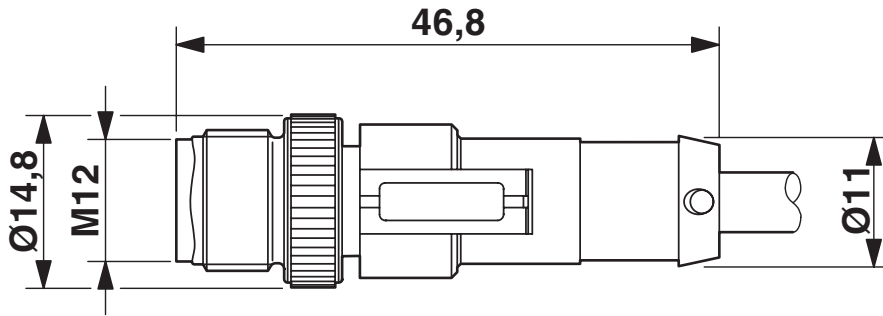
Valve connector pin assignment, type A

Sensor/actuator cable - SAC-3P-M12MS/0,6-PUR/A-1L-Z

1400769

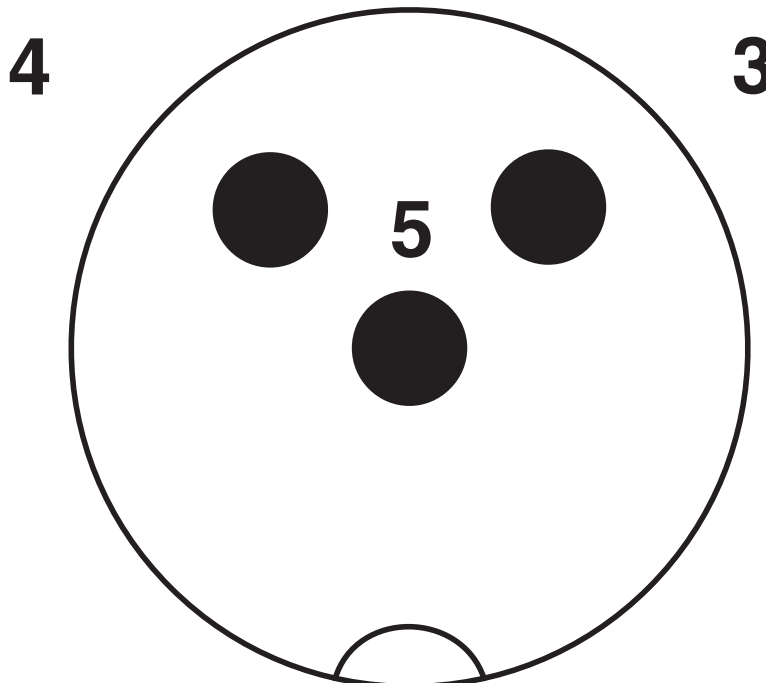
<https://www.phoenixcontact.com/de/produkte/1400769>

Dimensional drawing



Plug, M12 x 1, straight, shielded

Schematic diagram



Pin assignment M12 plug, 3-pos., valve connector


Sensor/actuator cable - SAC-3P-M12MS/0,6-PUR/A-1L-Z





1400769

<https://www.phoenixcontact.com/de/produkte/1400769>

Approvals

 CSA				
	Nominal Voltage U_N	Nominal Current I_N	Cross Section AWG	Cross Section mm^2
	24 V	4 A	-	-

 EAC				
---------------------------------------------------------------------------------------	--	--	--	--

 CSAus				
	Nominal Voltage U_N	Nominal Current I_N	Cross Section AWG	Cross Section mm^2
	24 V	4 A	-	-

cCSAus				
--------	--	--	--	--

Sensor/actuator cable - SAC-3P-M12MS/0,6-PUR/A-1L-Z



1400769

<https://www.phoenixcontact.com/de/produkte/1400769>

Classifications

ECLASS

ECLASS-9.0	27060312
ECLASS-10.0.1	27060312
ECLASS-11.0	27060312

ETIM

ETIM 8.0	EC001855
----------	----------

UNSPSC

UNSPSC 21.0	31251500
-------------	----------

Sensor/actuator cable - SAC-3P-M12MS/0,6-PUR/A-1L-Z



1400769

<https://www.phoenixcontact.com/de/produkte/1400769>

Environmental Product Compliance

China RoHS	Environmentally Friendly Use Period = 50 years
	For information on hazardous substances, refer to the manufacturer's declaration available under "Downloads"

Sensor/actuator cable - SAC-3P-M12MS/0,6-PUR/A-1L-Z



1400769

<https://www.phoenixcontact.com/de/produkte/1400769>

Accessories

Screw

Screw - SAC-V-SCREW-M3-29 KNURL - 1403779

<https://www.phoenixcontact.com/de/produkte/1403779>

Fillister head screw with plastic knurl, M3 x 40



Phoenix Contact 2022 © - all rights reserved
<https://www.phoenixcontact.com>

PHOENIX CONTACT Deutschland GmbH
Flachsmarktstraße 8
D-32825 Blomberg
+49 52 35/3-1 20 00
info@phoenixcontact.de