

# EMV nut - SACC-PG9-KD-NUT-SH



1440177

<https://www.phoenixcontact.com/pc/products/1440177>

Please be informed that the data shown in this PDF document is generated from our Online Catalog. Please find the complete data in the user documentation. Our General Terms of Use for Downloads are valid.

---

Pg9 EMC nut required for shield contact with coated housing surfaces.



---

## Product Description

EMC nut Pg9 required for shield contact with coated housing surfaces.

# EMV nut - SACC-PG9-KD-NUT-SH



1440177

<https://www.phoenixcontact.com/pc/products/1440177>

## Commercial Data

Item number	1440177
Packing unit	10 pc
Minimum order quantity	10 pc
Product Key	ABQZCA
Catalog Page	Page 56 (C-2-2019)
GTIN	4046356483292
Weight per Piece (including packing)	2.92 g
Weight per Piece (excluding packing)	2.74 g
Customs tariff number	74153300
Country of origin	DE

# EMV nut - SACC-PG9-KD-NUT-SH



1440177

<https://www.phoenixcontact.com/pc/products/1440177>

## Technical Data

### Product properties

Product type	Flat nut
--------------	----------

### Material specifications

Material	Brass, nickel-plated
Cable gland material	Nickel-plated brass

### Connector

Material	Brass, nickel-plated
Material	Brass, nickel-plated

### Mounting

Mounting type	Threads Pg9
---------------	-------------

# EMV nut - SACC-PG9-KD-NUT-SH

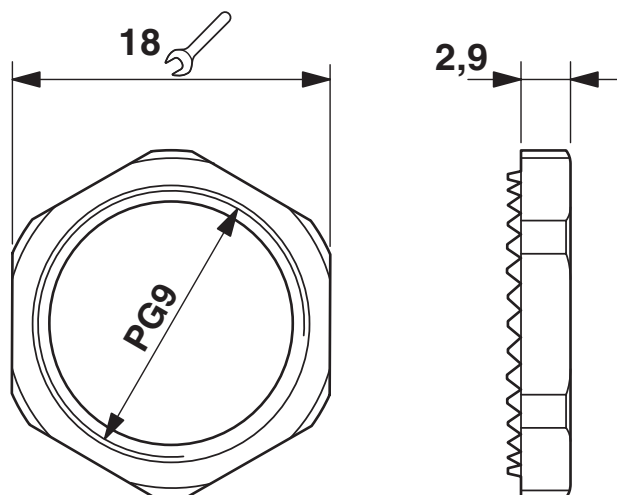
1440177

<https://www.phoenixcontact.com/pc/products/1440177>



## Drawings

Dimensional drawing



# EMV nut - SACC-PG9-KD-NUT-SH



1440177

<https://www.phoenixcontact.com/pc/products/1440177>

## Approvals



EAC

Approval ID: B.01687

# EMV nut - SACC-PG9-KD-NUT-SH



1440177

<https://www.phoenixcontact.com/pc/products/1440177>

## Classifications

### ECLASS

ECLASS-9.0	27440102
ECLASS-10.0.1	27440102
ECLASS-11.0	27440102

### ETIM

ETIM 8.0	EC002635
----------	----------

### UNSPSC

UNSPSC 21.0	39121400
-------------	----------

# EMV nut - SACC-PG9-KD-NUT-SH



1440177

<https://www.phoenixcontact.com/pc/products/1440177>

## Environmental Product Compliance

REACH SVHC	Lead 7439-92-1
China RoHS	Environmentally Friendly Use Period = 50 years
	For information on hazardous substances, refer to the manufacturer's declaration available under "Downloads"

Phoenix Contact 2022 © - all rights reserved  
<https://www.phoenixcontact.com>

PHOENIX CONTACT GmbH & Co. KG  
Flachsmarktstraße 8  
D-32825 Blomberg  
+49 (0) 5235-3 00  
[info@phoenixcontact.com](mailto:info@phoenixcontact.com)