

Panel mounting frames - VS-08-A-RJ45/MOD-1-IP67



1689080

<https://www.phoenixcontact.com/pc/products/1689080>

Please be informed that the data shown in this PDF document is generated from our Online Catalog. Please find the complete data in the user documentation. Our General Terms of Use for Downloads are valid.



RJ45 panel mounting frame, IP67, for modular socket inserts (Keystone), for square panel cutout, with grommet, without mounting screws, color: gray

Panel mounting frames - VS-08-A-RJ45/MOD-1-IP67



1689080

<https://www.phoenixcontact.com/pc/products/1689080>

Commercial Data

Item number	1689080
Packing unit	5 pc
Minimum order quantity	1 pc
Product Key	ABNDDB
Catalog Page	Page 351 (C-2-2019)
GTIN	4017918863623
Weight per Piece (including packing)	7.04 g
Weight per Piece (excluding packing)	6.8 g
Customs tariff number	85389099
Country of origin	DE

Panel mounting frames - VS-08-A-RJ45/MOD-1-IP67

1689080

<https://www.phoenixcontact.com/pc/products/1689080>

Technical Data

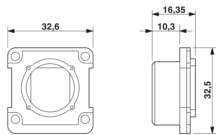
Product properties

Type	Version 6
Product type	Panel mounting frame
Connection profile	RJ45
Application	Modular insert
Number of slots	1
Type	RJ45

Insulation characteristics

Degree of pollution	2
---------------------	---

Dimensions

Dimensional drawing	
Width	32.6 mm
Height	32.6 mm
Depth	16 mm
Length	16.3 mm

Material specifications

Color	gray
Material	Plastic
Flammability rating according to UL 94	V0
Sealing material	NBR
Seal material, flat gasket	NBR
Housing material	PA

Connector

Insertion/withdrawal cycles	≥ 1000
-----------------------------	--------

Environmental and real-life conditions

Ambient conditions

Degree of protection	IP67
Ambient temperature (operation)	-40 °C ... 80 °C
Ambient temperature (storage/transport)	-40 °C ... 70 °C
Ambient temperature (assembly)	-5 °C ... 55 °C

Mounting

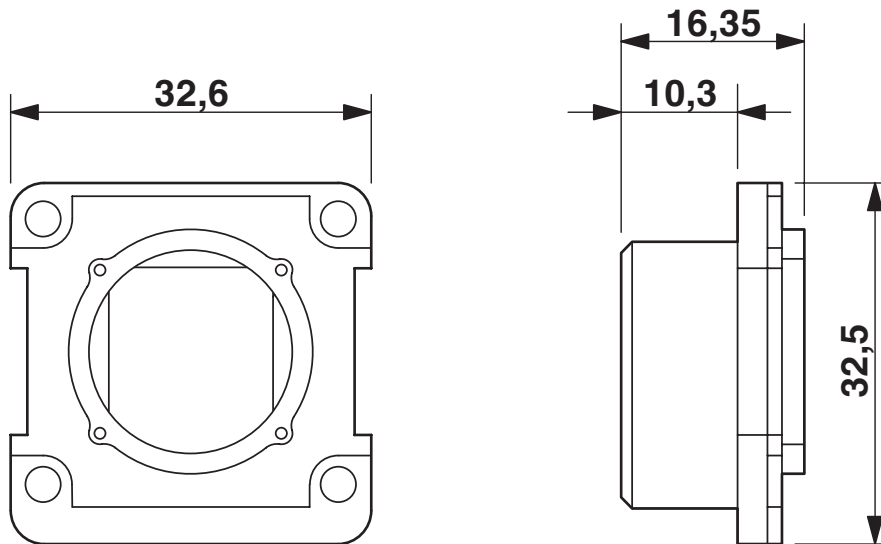
Mounting type	Front mounting
---------------	----------------

1689080

<https://www.phoenixcontact.com/pc/products/1689080>

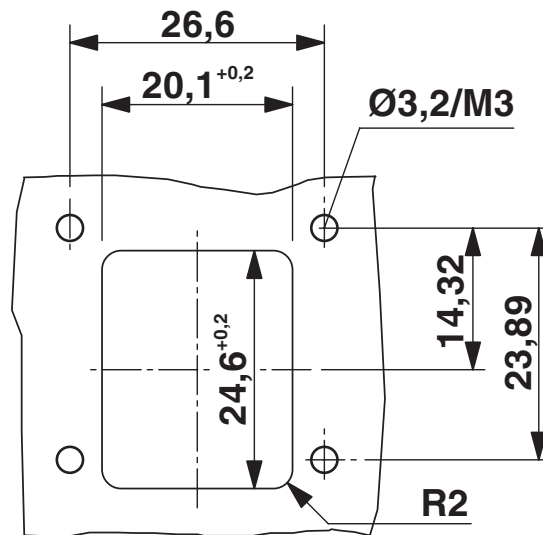
Drawings

Dimensional drawing



RJ45 panel mounting frame, IP67

Dimensional drawing



Mounting cutout

Panel mounting frames - VS-08-A-RJ45/MOD-1-IP67



1689080

<https://www.phoenixcontact.com/pc/products/1689080>

Approvals



EAC

Approval ID: B.01687

Panel mounting frames - VS-08-A-RJ45/MOD-1-IP67



1689080

<https://www.phoenixcontact.com/pc/products/1689080>

Classifications

ECLASS

ECLASS-10.0.1	27440210
ECLASS-9.0	27440210
ECLASS-11.0	27440210

ETIM

ETIM 8.0	EC002310
----------	----------

UNSPSC

UNSPSC 21.0	39121400
-------------	----------

Panel mounting frames - VS-08-A-RJ45/MOD-1-IP67



1689080

<https://www.phoenixcontact.com/pc/products/1689080>

Environmental Product Compliance

China RoHS	Environmentally friendly use period: unlimited = EFUP-e
	No hazardous substances above threshold values

1689080

<https://www.phoenixcontact.com/pc/products/1689080>

Accessories

RJ11 socket insert

RJ11 socket insert - VS-RJ11-BU-MOD/BU - 1656356

<https://www.phoenixcontact.com/pc/products/1656356>



Socket insert RJ11, modular system (Keystone), 6-pos., unshielded

RJ45 coupling

RJ45 coupling - CUC-K-D1ZNI-S/R4GCHP8 - 1086108

<https://www.phoenixcontact.com/pc/products/1086108>



RJ45 coupling, degree of protection: IP20, number of positions: 8, 10 Gbps, CAT6_A, material: Zinc die-cast, connection method: 2x RJ45, Keystone design for use with IP20 and IP67 panel mounting frame or integrated directly into the housing panel

Panel mounting frames - VS-08-A-RJ45/MOD-1-IP67

1689080

<https://www.phoenixcontact.com/pc/products/1689080>

RJ45 coupling

RJ45 coupling - VS-08-BU-RJ45/BU - 1689064

<https://www.phoenixcontact.com/pc/products/1689064>



RJ45 coupling, degree of protection: IP20, number of positions: 8, 1 Gbps, CAT5 (IEC 11801:2002), material: Fiberglass, PBT, Keystone

Protective cover

Protective cover - VS-08-SD - 1689200

<https://www.phoenixcontact.com/pc/products/1689200>

Protective cover, IP67, tall design



Panel mounting frames - VS-08-A-RJ45/MOD-1-IP67

1689080

<https://www.phoenixcontact.com/pc/products/1689080>

Protective cover

Protective cover - VS-08-SD-F - 1652606

<https://www.phoenixcontact.com/pc/products/1652606>

Protective cover, IP67, flat design, to cover the contact insert in the panel mounting frame, color: gray



RJ45 socket insert

RJ45 socket insert - VS-08-BU-RJ45-6/KA/LSA - 1653168

<https://www.phoenixcontact.com/pc/products/1653168>

RJ45 socket insert, modular (Keystone), CAT6, 8-pos., shielded, with cable connection (LSA), for litz and solid wires AWG 26 ... 22



Panel mounting frames - VS-08-A-RJ45/MOD-1-IP67



1689080

<https://www.phoenixcontact.com/pc/products/1689080>

RJ45 socket insert

RJ45 socket insert - VS-08-BU-RJ45/KA/LSA - 1689459

<https://www.phoenixcontact.com/pc/products/1689459>



RJ45 socket insert, modular (Keystone), CAT5e, 8-pos., shielded, with cable connection (LSA), for solid wires AWG 26 ... 22

Phoenix Contact 2022 © - all rights reserved

<https://www.phoenixcontact.com>

PHOENIX CONTACT GmbH & Co. KG

Flachsmarktstraße 8

D-32825 Blomberg

+49 (0) 5235-3 00

info@phoenixcontact.com