

Housing - HC-STA-B10-HLFD-1STM25-EL-AL



1412617

<https://www.phoenixcontact.com/pc/products/1412617>

Please be informed that the data shown in this PDF document is generated from our Online Catalog. Please find the complete data in the user documentation. Our General Terms of Use for Downloads are valid.



Sleeve housing B10, for double locking latch, material: Die-cast aluminum, salt water resistant, cable outlets: 1, lateral, 1x M25, height: 57 mm, cable gland: none, Standard

Your advantages

- good shielding in the event of electromagnetic interference

Housing - HC-STA-B10-HLFD-1STM25-EL-AL



1412617

<https://www.phoenixcontact.com/pc/products/1412617>

Commercial Data

Item number	1412617
Packing unit	1 pc
Minimum order quantity	1 pc
Product Key	BF7APB
Catalog Page	Page 610 (C-2-2019)
GTIN	4055626059440
Weight per Piece (including packing)	150.1 g
Weight per Piece (excluding packing)	146.26 g
Customs tariff number	85389099
Country of origin	PL

1412617

<https://www.phoenixcontact.com/pc/products/1412617>

Technical Data

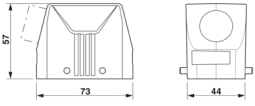
Notes

General	For contact inserts HC-B10, BB18, DD42, M, K8/24
---------	--

Product properties

Type	B10
Product type	Housing with locking latch
Application	Standard
No. of cable outlets	1
Type of the screw connection	1x M25
Housing type	Sleeve housing
Locking type	for double locking latch
Cable outlet	lateral
Pg screw connection	none

Dimensions

Dimensional drawing	
Width	44 mm
Height	57 mm
Length	73 mm

Material specifications

Color	gray aluminum
Housing surface material	uncoated
Impact strength	IK09
Housing material	Die-cast aluminum, salt water resistant

Ambient conditions

Degree of protection	IP66
	IP67
Degree of protection	4 (UL 50e)
	4X (UL 50e)
	12 (UL 50e)
Impact strength	IK09
Ambient temperature (operation)	-40 °C ... 125 °C

Connector

Application	Standard
Type of locking	for double locking latch

Housing - HC-STA-B10-HLFD-1STM25-EL-AL



1412617

<https://www.phoenixcontact.com/pc/products/1412617>

Housing material	Die-cast aluminum, salt water resistant
Application	Standard

Mechanical properties

Mechanical data

Type of the screw connection	1x M25
Locking type	Pin

Housing - HC-STA-B10-HLFD-1STM25-EL-AL

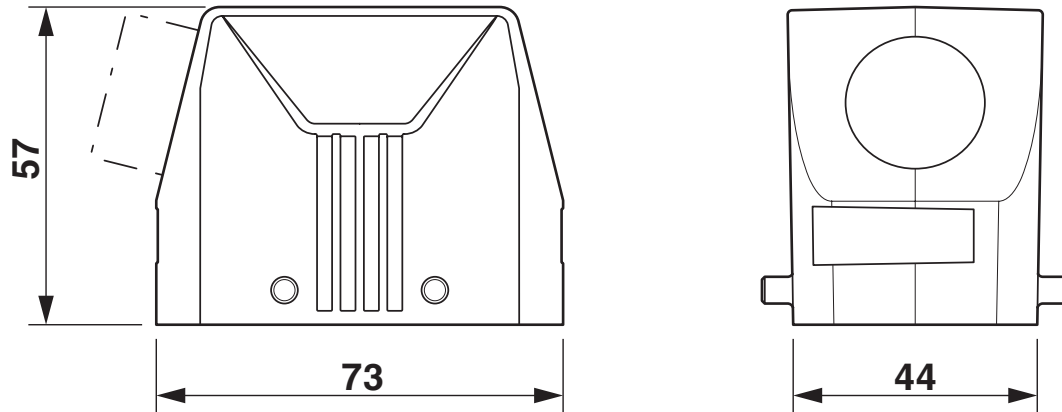


1412617

<https://www.phoenixcontact.com/pc/products/1412617>

Drawings

Dimensional drawing



Dimensional drawing

1412617

<https://www.phoenixcontact.com/pc/products/1412617>

Approvals

DNV

Approval ID: TAE000037S



cUL Recognized

Approval ID: E255026



UL Recognized

Approval ID: E255026



EAC

Approval ID: RU C-DE.AI30.B.01102



EAC

Approval ID: RU C-DE.BL08.B.00511

cULus Recognized

1412617

<https://www.phoenixcontact.com/pc/products/1412617>

Classifications

ECLASS

ECLASS-9.0	27440202
ECLASS-10.0.1	27440202
ECLASS-11.0	27440202

ETIM

ETIM 8.0	EC000437
----------	----------

UNSPSC

UNSPSC 21.0	31261500
-------------	----------

1412617

<https://www.phoenixcontact.com/pc/products/1412617>

Environmental Product Compliance

China RoHS	Environmentally friendly use period: unlimited = EFUP-e No hazardous substances above threshold values
------------	---

1412617

<https://www.phoenixcontact.com/pc/products/1412617>

Accessories

Cable gland

Cable gland - G-INS-M25-M68N-NNES-S - 1411165

<https://www.phoenixcontact.com/pc/products/1411165>



Cable gland, cable gland material: Nickel-plated brass, external cable diameter 11 mm ... 17 mm, shielding: no, connecting thread: M25 x 1.5, color: silver, with O-ring

Cable gland

Cable gland - G-INSEC-M25-S68N-NCRS-S - 1411190

<https://www.phoenixcontact.com/pc/products/1411190>



Cable gland, cable gland material: Nickel-plated brass, external cable diameter 11 mm ... 16 mm, shielding: yes, connecting thread: M25 x 1.5, color: silver, with O-ring

1412617

<https://www.phoenixcontact.com/pc/products/1412617>

Cable gland

Cable gland - HC-M-KV-M25(1ASI) - 1584020

<https://www.phoenixcontact.com/pc/products/1584020>



Metal screw connection for an AS-Interface flat-ribbon conductor, thread type M25

Cable gland

Cable gland - HC-M-KV-M25(1X10/1X11) - 1580228

<https://www.phoenixcontact.com/pc/products/1580228>



Special cable screw connection M25, brass nickel-plated, grommet with 10 mm and 11 mm holes

Housing - HC-STA-B10-HLFD-1STM25-EL-AL

1412617

<https://www.phoenixcontact.com/pc/products/1412617>

Screw connection

Screw connection - WP-G HF IP66 M25 BK - 3240899

<https://www.phoenixcontact.com/pc/products/3240899>



Cable gland, metric thread, IP66 protection, straight

Screw connection

Screw connection - WP-G HF IP69K M25 BK - 3240885

<https://www.phoenixcontact.com/pc/products/3240885>



Cable gland, metric thread, IP68/69k protection, straight

Housing - HC-STA-B10-HLFD-1STM25-EL-AL

1412617

<https://www.phoenixcontact.com/pc/products/1412617>

Screw connection

Screw connection - WP-GA HF IP66 M25 BK - 3240927

<https://www.phoenixcontact.com/pc/products/3240927>

Cable gland, metric thread, IP66 protection, angled



Screw connection

Screw connection - WP-GA HF IP69K M25 BK - 3240913

<https://www.phoenixcontact.com/pc/products/3240913>

Cable gland, metric thread, IP68/69k protection, angled



Housing - HC-STA-B10-HLFD-1STM25-EL-AL

1412617

<https://www.phoenixcontact.com/pc/products/1412617>

Screw connection

Screw connection - WP-GR HF IP66 M25 BK - 3240955

<https://www.phoenixcontact.com/pc/products/3240955>



Cable gland, metric thread, IP66 protection, with strain relief

Screw connection

Screw connection - WP-GR HF IP69K M25 BK - 3240941

<https://www.phoenixcontact.com/pc/products/3240941>



Cable gland, metric thread, IP68/69k protection, with strain relief

Housing - HC-STA-B10-HLFD-1STM25-EL-AL

1412617

<https://www.phoenixcontact.com/pc/products/1412617>

Screw connection

Screw connection - WP-G PP HF M25 - 3240999

<https://www.phoenixcontact.com/pc/products/3240999>



Cable gland made from PP with metric thread, IP65 protection

Screw connection

Screw connection - WP-GT PP HF M25 - 3241013

<https://www.phoenixcontact.com/pc/products/3241013>



Cable gland made from PP with metric thread, rotatable, IP54 protection

Housing - HC-STA-B10-HLFD-1STM25-EL-AL

1412617

<https://www.phoenixcontact.com/pc/products/1412617>

Screw connection

Screw connection - WP-G BRASS IP40 M25 - 3241048

<https://www.phoenixcontact.com/pc/products/3241048>



Cable gland made from brass with metric thread, IP40 protection

Screw connection

Screw connection - WP-GT BRASS M25 - 3241034

<https://www.phoenixcontact.com/pc/products/3241034>



Cable gland made from brass with metric thread, rotatable, IP40 protection

Housing - HC-STA-B10-HLFD-1STM25-EL-AL

1412617

<https://www.phoenixcontact.com/pc/products/1412617>

Screw connection

Screw connection - WP-G BRASS IP65 M25 - 3241062

<https://www.phoenixcontact.com/pc/products/3241062>



Cable gland made from brass with metric thread, IP65 protection

Protective cover

Protective cover - HC-B10-HCLWD-PLR-BK - 1414638

<https://www.phoenixcontact.com/pc/products/1414638>



Protective cover B10, with double locking latch, protective cover material: PA, height: 21.6 mm, seal: yes, diameter of retaining cord eyelet: 30 mm

Housing - HC-STA-B10-HLFD-1STM25-EL-AL



1412617

<https://www.phoenixcontact.com/pc/products/1412617>

Plastic label

Plastic label - US-EMLP (20X9) CUS - 0830085

<https://www.phoenixcontact.com/pc/products/0830085>

Plastic label, can be ordered: by card, white, labeled according to customer specifications, mounting type: adhesive, lettering field size: 20 x 9 mm, Number of individual labels: 75



Phoenix Contact 2022 © - all rights reserved

<https://www.phoenixcontact.com>

PHOENIX CONTACT GmbH & Co. KG

Flachsmarktstraße 8

D-32825 Blomberg

+49 (0) 5235-3 00

info@phoenixcontact.com