

Flush-type connector - SACC-E-M12MS-8CON-PG9/0,5



1513774

<https://www.phoenixcontact.com/pc/products/1513774>

Please be informed that the data shown in this PDF document is generated from our Online Catalog. Please find the complete data in the user documentation. Our General Terms of Use for Downloads are valid.



Sensor/Actuator flush-type plug, 8-pos., M12, A-coded, front/screw mounting with Pg9 thread, with 0.5 m TPE litz wire, 8x 0.25 mm²

Your advantages

- Pre-assembled with litz wires for immediate use
- Customer-specific assemblies and litz wire lengths available
- Sealed on the litz wire side for optimum leak-tightness
- All standard pin assignments and codings for signal, data, and power transmission with a uniform design-in design
- For high transmission safety: shield connection to the housing with optional EMC nut

Flush-type connector - SACC-E-M12MS-8CON-PG9/0,5



1513774

<https://www.phoenixcontact.com/pc/products/1513774>

Commercial Data

Item number	1513774
Packing unit	1 pc
Minimum order quantity	1 pc
Note	Made to Order (non-returnable)
Product Key	ABQCDA
Catalog Page	Page 35 (C-2-2019)
GTIN	4017918914684
Weight per Piece (including packing)	23.9 g
Weight per Piece (excluding packing)	23.9 g
Customs tariff number	85444290
Country of origin	DE

Flush-type connector - SACC-E-M12MS-8CON-PG9/0,5



1513774

<https://www.phoenixcontact.com/pc/products/1513774>

Technical Data

Notes

Notes on operation	The electrical and mechanical data specified assume that the connector pair is correctly locked and mounted. If the connector is unlocked and if there is a danger of contamination, the connector must be sealed using a protective cap > IP54. Influences arising from litz wires, cables or PCB assembly must also be taken into consideration.
--------------------	--

Product properties

Product type	Circular connectors (device side)
Number of positions	8
No. of cable outlets	1
Shielded	no
Coding	A - standard

Insulation characteristics

Overvoltage category	II
Degree of pollution	3

Ambient conditions

Degree of protection	IP67
Degree of protection	IP67
Ambient temperature (operation)	-25 °C ... 85 °C (Plug / socket) -40 °C ... 85 °C (without mechanical actuation) -25 °C ... 85 °C (Cable, flexible installation) -40 °C ... 85 °C (cable, fixed installation)

Connector

Insertion/withdrawal cycles	≥ 100
-----------------------------	-------

Header 1

Head design	Plug
Head cable outlet	straight
Head thread type	M12
Coding	A-coded

Electrical properties

Rated surge voltage	0.8 kV
Contact resistance	≤ 3 mΩ
Insulation resistance	≥ 100 MΩ
Nominal voltage U_N	30 V
Nominal current I_N	2 A

Material specifications

Flush-type connector - SACC-E-M12MS-8CON-PG9/0,5



1513774

<https://www.phoenixcontact.com/pc/products/1513774>

Flammability rating according to UL 94	V0
Sealing material	NBR
Contact material	CuZn
Contact surface material	Ni/Au
Contact carrier material	PA66
Cable gland material	Zinc die-cast, nickel-plated

Connection data

Conductor connection

Connection method	Individual wires
-------------------	------------------

Mounting

Mounting type	Front mounting Pg9
---------------	--------------------

Standards and regulations

Standards/specifications	IEC 61076-2-101
--------------------------	-----------------

Cable / line

Cable length	0.5 m
--------------	-------

Cable structure

Cable type	TPE litz wire
Conductor material	Tin-plated Cu litz wires
Conductor structure signal line	14x 0.15 mm
AWG signal line	24
Material wire insulation	TPE
Thickness, insulation	0.21 mm
Wire diameter incl. insulation	1.15 mm ±0.07 mm
Single wire, color	white, brown, green, yellow, gray, pink, blue, red

Electrical properties

Nominal voltage, cable	300 V
Test voltage, cable	2000 V AC
Conductor resistance	≤ 80 mΩ/m
Cable insulation resistance	≥ 20 MΩ*km

Ambient conditions

Ambient temperature (operation)	-25 °C ... 85 °C (Cable, flexible installation)
	-40 °C ... 85 °C (cable, fixed installation)

Flush-type connector - SACC-E-M12MS-8CON-PG9/0,5

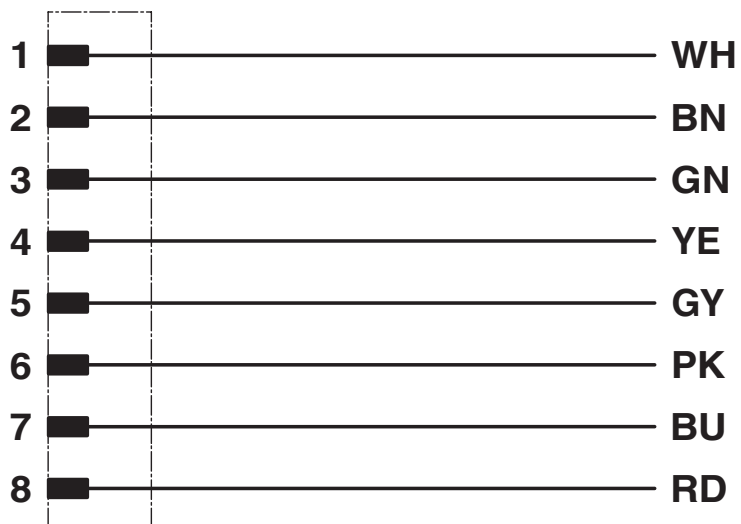


1513774

<https://www.phoenixcontact.com/pc/products/1513774>

Drawings

Circuit diagram



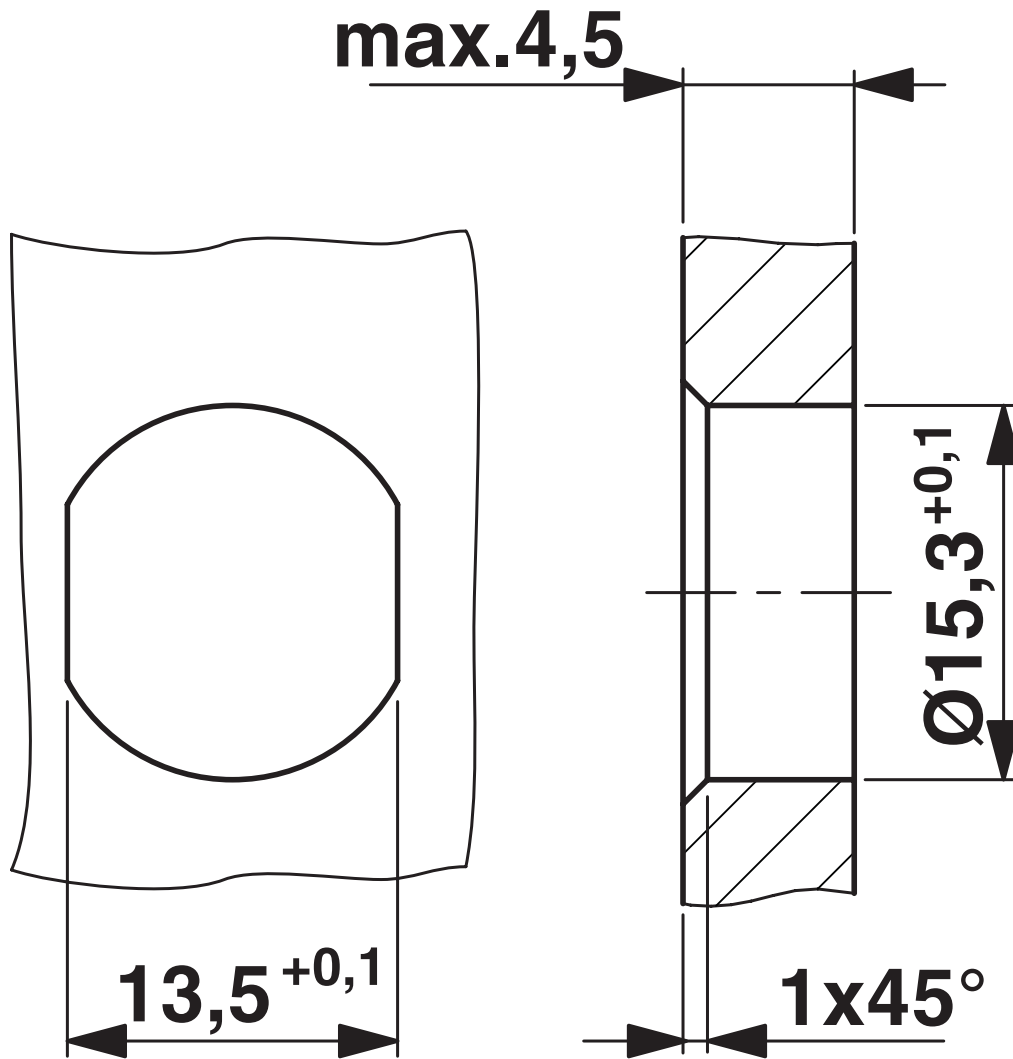
Contact assignment of the M12 plug and the M12 socket

Flush-type connector - SACC-E-M12MS-8CON-PG9/0,5

1513774

<https://www.phoenixcontact.com/pc/products/1513774>

Dimensional drawing



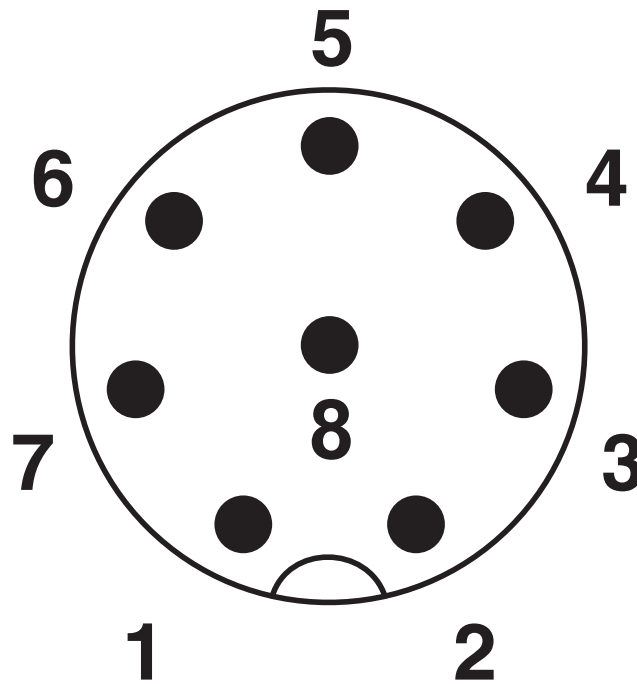
Housing cutout for Pg9 fastening thread, mounting panel with feed-through hole (alternatively with surface as protection against rotation)

Flush-type connector - SACC-E-M12MS-8CON-PG9/0,5

1513774

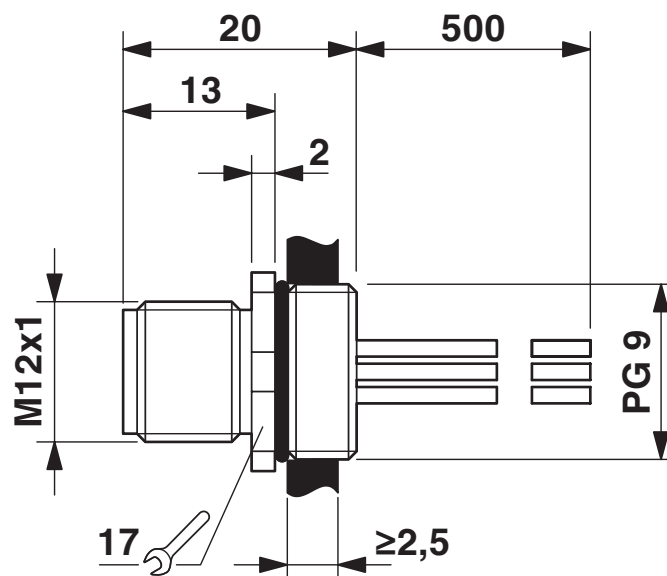
<https://www.phoenixcontact.com/pc/products/1513774>

Schematic diagram



Pin assignment M12 plug, 8-pos., view plug side

Dimensional drawing

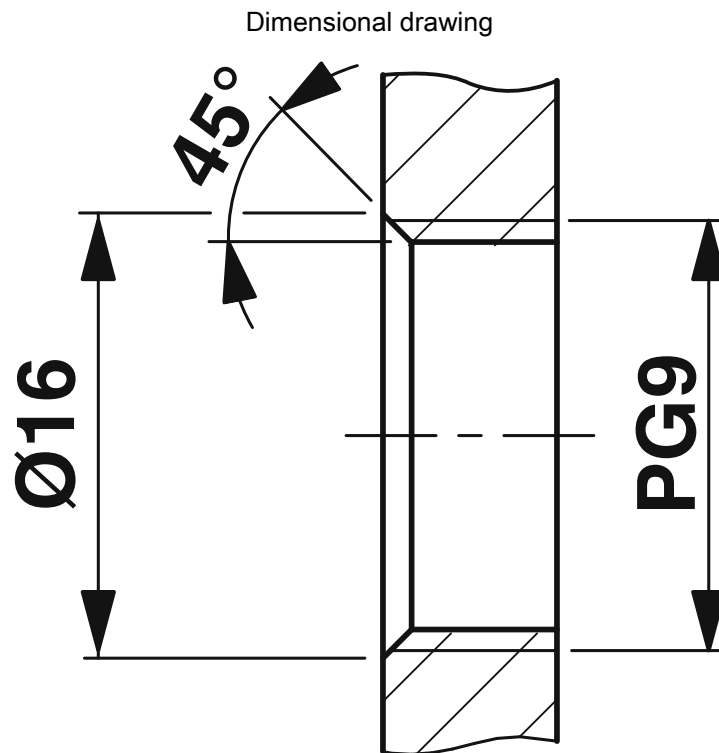


M12 flush-type plug

Flush-type connector - SACC-E-M12MS-8CON-PG9/0,5

1513774

<https://www.phoenixcontact.com/pc/products/1513774>



Housing cutout for Pg9 fastening thread, mounting panel with thread

Flush-type connector - SACC-E-M12MS-8CON-PG9/0,5




1513774

<https://www.phoenixcontact.com/pc/products/1513774>

Approvals

 UL Recognized Approval ID: FILE E 118976				
	Nominal Voltage U_N	Nominal Current I_N	Cross Section AWG	Cross Section mm^2
	30 V	2 A	- 24	-

 EAC Approval ID: B.01687				
--	--	--	--	--

 cULus Recognized Approval ID: E221474-20140616				
	Nominal Voltage U_N	Nominal Current I_N	Cross Section AWG	Cross Section mm^2
	30 V	2 A	24 - 22	-

Flush-type connector - SACC-E-M12MS-8CON-PG9/0,5



1513774

<https://www.phoenixcontact.com/pc/products/1513774>

Classifications

ECLASS

ECLASS-10.0.1	27440102
ECLASS-9.0	27440102
ECLASS-11.0	27440102

ETIM

ETIM 8.0	EC002635
----------	----------

UNSPSC

UNSPSC 21.0	39121400
-------------	----------

Flush-type connector - SACC-E-M12MS-8CON-PG9/0,5



1513774

<https://www.phoenixcontact.com/pc/products/1513774>

Environmental Product Compliance

REACH SVHC	Lead 7439-92-1
China RoHS	Environmentally Friendly Use Period = 50 years
	For information on hazardous substances, refer to the manufacturer's declaration available under "Downloads"

Flush-type connector - SACC-E-M12MS-8CON-PG9/0,5

1513774

<https://www.phoenixcontact.com/pc/products/1513774>

Accessories

Flat gasket

Flat gasket - SACC-PG9-SEAL CLM - 1556320

<https://www.phoenixcontact.com/pc/products/1556320>

Pg9 flat gasket, for M12 flush-type connectors with Pg9 fastening thread



Flat nut

Flat nut - SACC-E-MU-PG9 - 1504084

<https://www.phoenixcontact.com/pc/products/1504084>

Flat nut with Pg9 thread



Flush-type connector - SACC-E-M12MS-8CON-PG9/0,5

1513774

<https://www.phoenixcontact.com/pc/products/1513774>

Sealing cap

Sealing cap - PROT-M12 FS - 1560251

<https://www.phoenixcontact.com/pc/products/1560251>



M12 sealing cap for unoccupied M12 plugs of the sensor/actuator cable, flush-type plugs and I/O devices in the field

Sealing cap

Sealing cap - PROT-M12 FS-M - 1430488

<https://www.phoenixcontact.com/pc/products/1430488>



M12 metal sealing cap for unoccupied M12 plugs of the sensor/actuator cable, flush-type plugs and I/O devices in the field

Phoenix Contact 2022 © - all rights reserved
<https://www.phoenixcontact.com>

PHOENIX CONTACT GmbH & Co. KG
Flachsmarktstraße 8
D-32825 Blomberg
+49 (0) 5235-3 00
info@phoenixcontact.com