

D-SUB bus connector - SUBCON-PLUS-CAN



2744694

<https://www.phoenixcontact.com/pc/products/2744694>

Please be informed that the data shown in this PDF document is generated from our Online Catalog. Please find the complete data in the user documentation. Our General Terms of Use for Downloads are valid.



D-SUB connector, 9-pos. female connector, two 35° cable entries to one terminal block row, bus system: CAN, CANopen[®], SafetyBUS p up to 1 Mbps, termination resistor can be switched on via slide switch, pin assignment: 2, 3, 7; screw connection terminal blocks

Product Description

The SUBCON-PLUS-CAN/... D-SUB series is specifically designed for use in CAN systems. Under field conditions, it enables the quick and easy connection of the incoming and outgoing bus line. The terminating resistor is already integrated in all versions. It can be connected externally by means of a slide switch. At the same time, the outgoing bus segment is switched off. This makes it easy to start up segment by segment while incorrect terminations are avoided. A special feature of the 35° angled connector is that the internal connection unit can be turned round. Whether the cable is to be inserted from the right or left can thus be decided on-site.

Your advantages

- Separate terminal blocks for bus cables
- High transmission speed
- Segment-by-segment startup
- Flexibility in terms of cable entry selection
- Assembly under field conditions
- High level of EMC
- Suitable for bus cables according to CiA Draft Recommendation 303-1 with an outside diameter of 8 mm
- Termination resistor can be connected
- Change to the D-SUB orientation through a reversible connection block

D-SUB bus connector - SUBCON-PLUS-CAN



2744694

<https://www.phoenixcontact.com/pc/products/2744694>

Commercial Data

Item number	2744694
Packing unit	1 pc
Minimum order quantity	1 pc
Note	Made to Order (non-returnable)
Sales Key	07
Product Key	DNC541
Catalog Page	Page 449 (C-6-2019)
GTIN	4017918821760
Weight per Piece (including packing)	68.9 g
Weight per Piece (excluding packing)	54.3 g
Customs tariff number	85366990
Country of origin	DE

D-SUB bus connector - SUBCON-PLUS-CAN



2744694

<https://www.phoenixcontact.com/pc/products/2744694>

Technical Data

Notes

Utilization restriction

CCCex note	Use in potentially explosive areas is not permitted in China.
------------	---

Product properties

Product type	Data plug
MTTF	6706 Years (SN 29500 standard, temperature 25°C, operating cycle 21%)
	1817 Years (SN 29500 standard, temperature 40°C, operating cycle 34.25%)
	155 Years (SN 29500 standard, temperature 40°C, operating cycle 100%)
Pin assignment	2, 3, 7

Electrical properties

Nominal voltage U_N	5 V
Nominal current I_N	100 mA
Transmission medium	Copper

Connection data

D-SUB connection

Connection method	D-SUB socket
-------------------	--------------

D-SUB connection

Connection method	Screw connection
Stripping length	5 mm
Conductor cross section solid min.	0.14 mm ²
Conductor cross section solid max.	1.5 mm ²
Conductor cross section flexible min.	0.14 mm ²
Conductor cross section flexible max.	1 mm ²
Conductor cross section AWG min.	26
Conductor cross section AWG max.	16

Interfaces

Bus system	CAN, CANopen, SafetyBus-P
Signal	CAN
	CANopen®
	SafetyBUS p

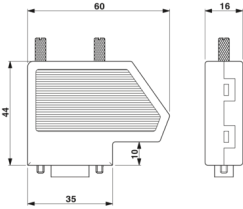
Dimensions

D-SUB bus connector - SUBCON-PLUS-CAN



2744694

<https://www.phoenixcontact.com/pc/products/2744694>

Dimensional drawing	
Width	16 mm
Height	44 mm
Length	60 mm

External dimensions	
External diameter min.	6 mm
External diameter max.	10 mm

Material specifications

Housing material	ABS, metal-plated
------------------	-------------------

Connector

Insertion/withdrawal cycles	> 200
Insertion/withdrawal cycles	> 200
Housing material	ABS, metal-plated
Insertion/withdrawal cycles	> 200

Environmental and real-life conditions

Ambient conditions	
Degree of protection	IP40
Ambient temperature (operation)	-20 °C ... 75 °C
Ambient temperature (storage/transport)	-25 °C ... 80 °C
Altitude	≤ 5000 m (For restrictions, see the manufacturer's declaration for altitude operation)
Permissible humidity (operation)	10 % ... 95 % (non-condensing)
Permissible humidity (storage/transport)	5 % ... 95 % (non-condensing)

Approval data

EAC	
Identification	EAC

EAC	
Identification	□ II 3 G Ex nA IIC T4 Gc X
Note	Please follow the special installation instructions in the documentation!

EAC	
Identification	ISA-S71.04-1985 G3 Harsh Group A

D-SUB bus connector - SUBCON-PLUS-CAN



2744694

<https://www.phoenixcontact.com/pc/products/2744694>

Standards and regulations

Free from substances that could impair the application of coating

according to P-VW 3.10.7 57 65 0 VW-AUDI-Seat central standard

D-SUB bus connector - SUBCON-PLUS-CAN

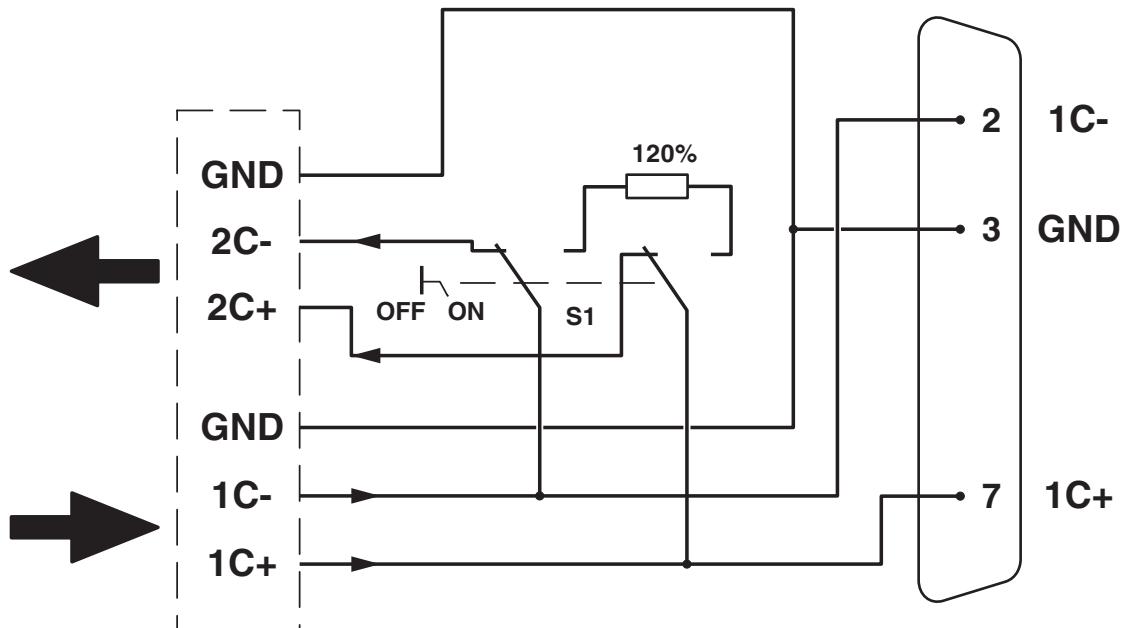


2744694

<https://www.phoenixcontact.com/pc/products/2744694>

Drawings

Block diagram



Circuit diagram

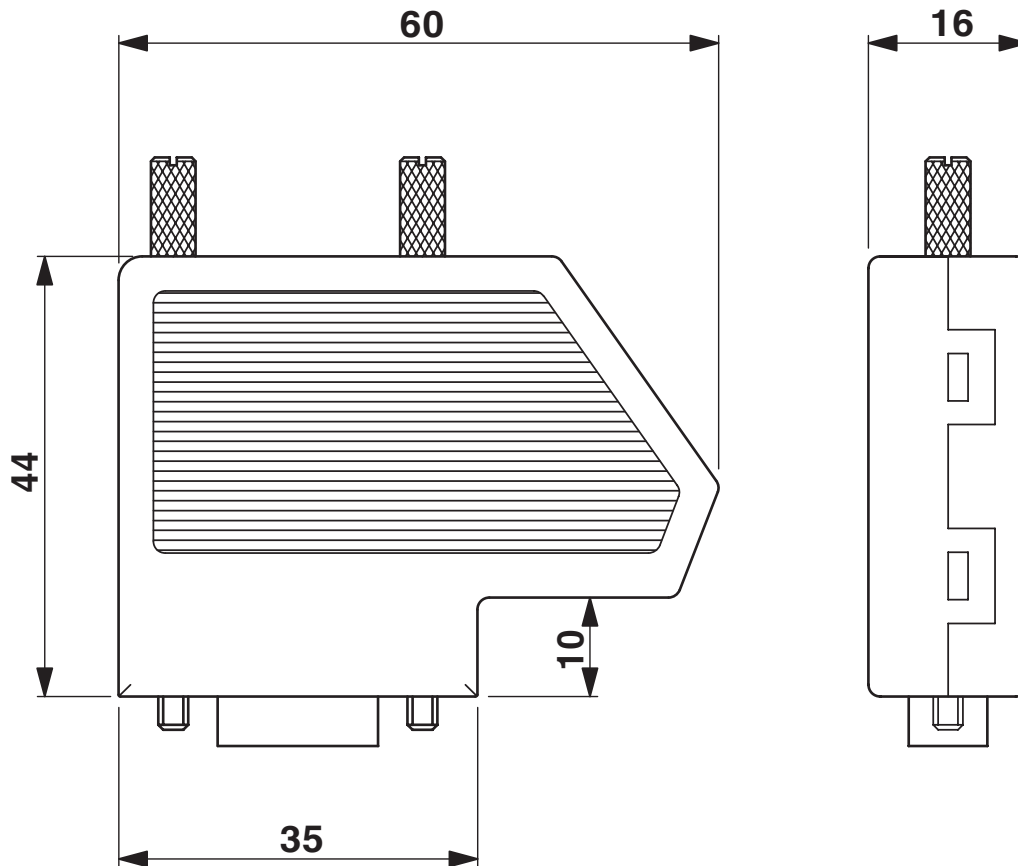
D-SUB bus connector - SUBCON-PLUS-CAN

2744694

<https://www.phoenixcontact.com/pc/products/2744694>



Dimensional drawing



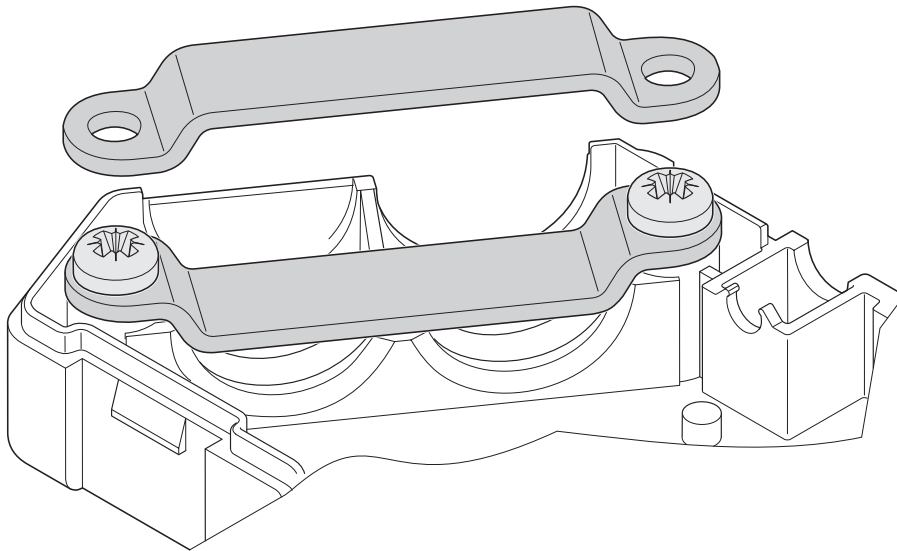
Dimensional drawing

D-SUB bus connector - SUBCON-PLUS-CAN

2744694

<https://www.phoenixcontact.com/pc/products/2744694>

Schematic diagram



Clip bracket

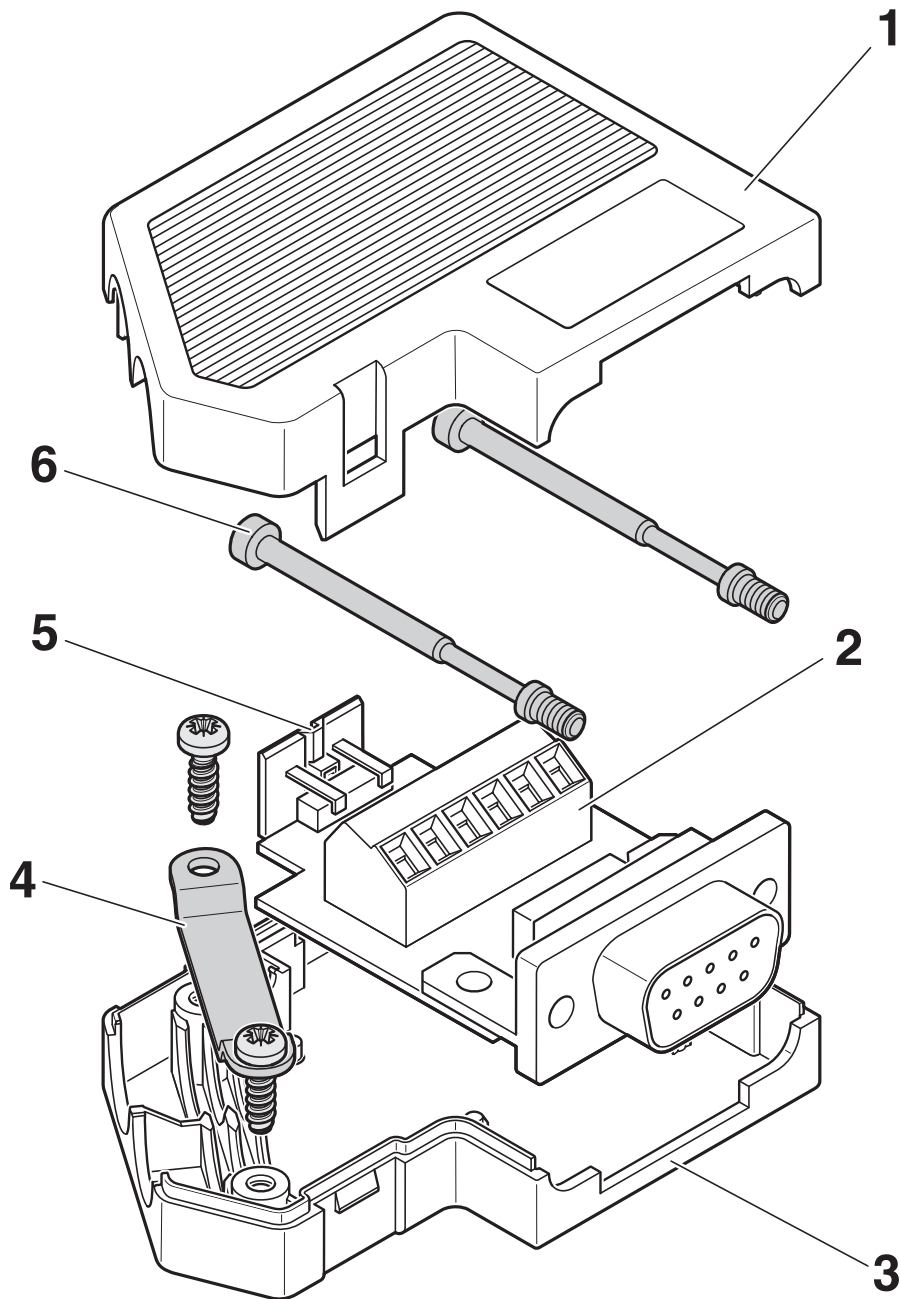
D-SUB bus connector - SUBCON-PLUS-CAN

2744694

<https://www.phoenixcontact.com/pc/products/2744694>



Schematic diagram



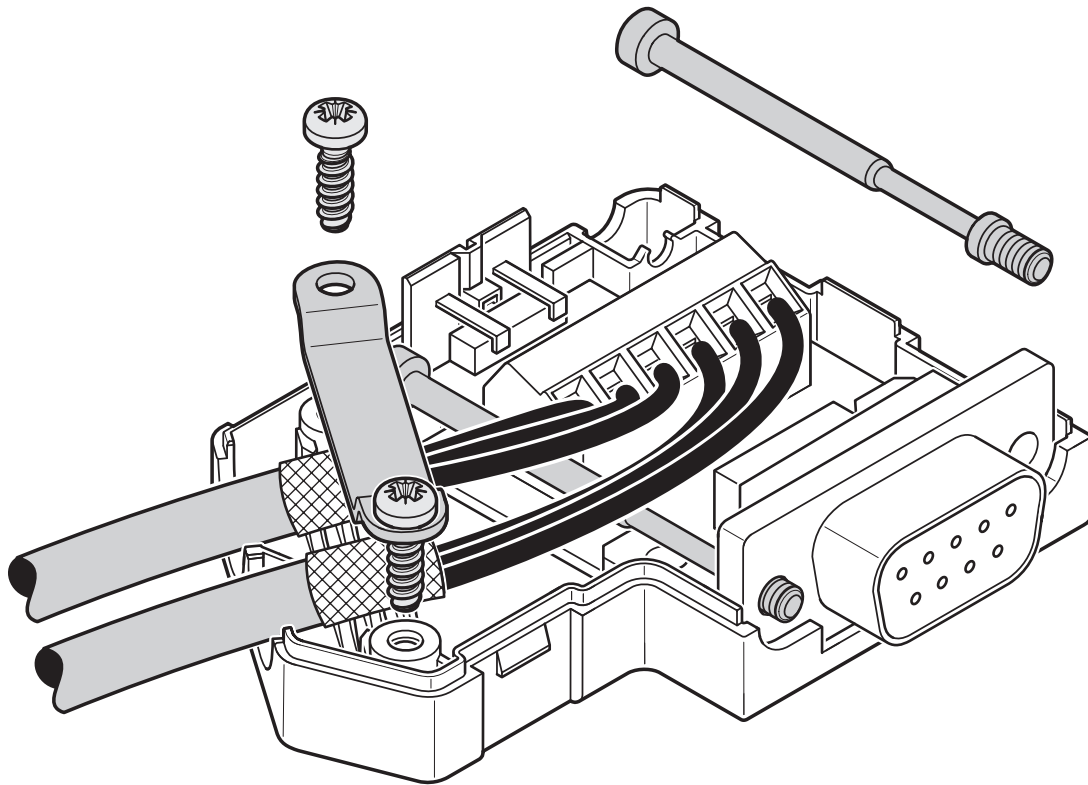
Function elements

D-SUB bus connector - SUBCON-PLUS-CAN

2744694

<https://www.phoenixcontact.com/pc/products/2744694>

Schematic diagram



Connection of the cables

D-SUB bus connector - SUBCON-PLUS-CAN



2744694

<https://www.phoenixcontact.com/pc/products/2744694>

Approvals



cUL Recognized
Approval ID: FILE E 238705



UL Recognized
Approval ID: FILE E 238705



CSA
Approval ID: 2437602



ATEX
Approval ID: PxCIF14ATEX2744694

cULus Recognized

D-SUB bus connector - SUBCON-PLUS-CAN



2744694

<https://www.phoenixcontact.com/pc/products/2744694>

Classifications

ECLASS

ECLASS-9.0	27440302
ECLASS-10.0.1	27440302
ECLASS-11.0	27440302

ETIM

ETIM 8.0	EC001132
----------	----------

UNSPSC

UNSPSC 21.0	39121400
-------------	----------

D-SUB bus connector - SUBCON-PLUS-CAN



2744694

<https://www.phoenixcontact.com/pc/products/2744694>

Environmental Product Compliance

China RoHS	Environmentally friendly use period: unlimited = EFUP-e
	No hazardous substances above threshold values

D-SUB bus connector - SUBCON-PLUS-CAN

2744694

<https://www.phoenixcontact.com/pc/products/2744694>

Accessories

Screwdriver

Screwdriver - SZK PH1 VDE - 1205150

<https://www.phoenixcontact.com/pc/products/1205150>



Screwdriver, PH crosshead, VDE insulated, size: PH 1 x 80 mm, 2-component grip, with non-slip grip

Screwdriver

Screwdriver - SZF 0-0,4X2,5 - 1204504

<https://www.phoenixcontact.com/pc/products/1204504>



Actuation tool, for ST terminal blocks, also suitable for use as a bladed screwdriver, size: 0.4 x 2.5 x 75 mm, 2-component grip, with non-slip grip

D-SUB bus connector - SUBCON-PLUS-CAN

2744694

<https://www.phoenixcontact.com/pc/products/2744694>

D-SUB bus connector

D-SUB bus connector - SUBCON-PLUS-CAN/PG - 2708119

<https://www.phoenixcontact.com/pc/products/2708119>



D-SUB connector, 9-pos. socket, 35° cable entry, bus system: CAN, CANopen®, SafetyBUS p up to 1 Mbps, with PG D-SUB socket for connecting a programming device, termination resistor can be switched on via slide switch, pin assignment: 2, 3, 7, 9; screw terminal blocks

D-SUB bus connector

D-SUB bus connector - SUBCON-PLUS-CAN/AX - 2306566

<https://www.phoenixcontact.com/pc/products/2306566>



D-SUB connector, 9-pos. female connector, axial version with two cable entries, bus system: CAN, CANopen, SafetyBUS p; pin assignment: 2, 3, 7; screw connection terminal blocks

D-SUB bus connector - SUBCON-PLUS-CAN

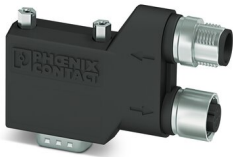
2744694

<https://www.phoenixcontact.com/pc/products/2744694>

D-SUB bus connector

D-SUB bus connector - SUBCON-PLUS-CAN/90/M12 - 2902323

<https://www.phoenixcontact.com/pc/products/2902323>



D-SUB plug, 9-pos., socket, assignment: 2, 3, 5, 6, 7, 9; two 90° cable entries M12 (A-coded). Bus system: CAN, CANopen[®]. Termination resistor via separate M12 terminator. Long version; S7-compatible.

D-SUB bus connector

D-SUB bus connector - SUBCON-PLUS-CAN/35/M12 - 2902325

<https://www.phoenixcontact.com/pc/products/2902325>



D-SUB plug, 9-pos., socket, assignment: 2, 3, 5, 6, 7, 9; two 35° cable entries M12 (A-coded). Bus system: CAN, CANopen[®]. Termination resistor via separate M12 terminator.

D-SUB bus connector - SUBCON-PLUS-CAN



2744694

<https://www.phoenixcontact.com/pc/products/2744694>

D-SUB bus connector

D-SUB bus connector - SUBCON-PLUS-CAN/AX/M12 - 2902326

<https://www.phoenixcontact.com/pc/products/2902326>



D-SUB plug, 9-pos., socket, assignment: 2, 3, 5, 6, 7, 9; two M12 cable glands (A-coded) under 180° (axial). Bus system: CAN, CANopen®. Termination resistor via separate M12 terminator.

Stripping pliers

Stripping pliers - QUICK WIREFOX 6 - 1204384

<https://www.phoenixcontact.com/pc/products/1204384>



Stripping tool for cables with PVC insulation, stripping range: 0.08 to 6 mm², wire cutting up to 6 mm² flexible or 4 mm² rigid

Phoenix Contact 2022 © - all rights reserved

<https://www.phoenixcontact.com>

PHOENIX CONTACT GmbH & Co. KG

Flachsmarktstraße 8

D-32825 Blomberg

+49 (0) 5235-3 00

info@phoenixcontact.com