

# Sensor/actuator cable - SAC-3P- 1,5-PUR/A-1L-Z



1434989

<https://www.phoenixcontact.com/de/produkte/1434989>

Please be informed that the data shown in this PDF document is generated from our Online Catalog. Please find the complete data in the user documentation. Our General Terms of Use for Downloads are valid.



Sensor/actuator cable, 3-position, PUR halogen-free, black-gray RAL 7021, free cable end, on Valve connector A, with 1 LED, connected with Z diode, cable length: 1.5 m

## Your advantages

- Easy and safe: 100% electrically tested plug-in components
- Convenient: increased machine availability thanks to quick and easy diagnostics
- Our standard: robust halogen-free PUR cable

# Sensor/actuator cable - SAC-3P- 1,5-PUR/A-1L-Z



1434989

<https://www.phoenixcontact.com/de/produkte/1434989>

## Commercial Data

Item number	1434989
Packing unit	1 pc
Minimum order quantity	1 pc
Sales Key	C1 - Sensor-Aktor-Kabel
Product Key	BF1DAA
Catalog Page	Page 228 (C-2-2019)
GTIN	4046356413367
Weight per Piece (including packing)	72,5 g
Weight per Piece (excluding packing)	69,4 g
Customs tariff number	85444290
Country of origin	PL

## Technical Data

### Product properties

Product type	Sensor/actuator cable with valve connector
Number of positions	3
Application	Standard
No. of cable outlets	1
Shielded	no

### Insulation characteristics

Overvoltage category	III
Degree of pollution	3

### Electrical properties

Contact resistance	≤ 5 mΩ
Insulation resistance	≥ 100 MΩ
Nominal voltage $U_N$	24 V AC
	24 V DC
Nominal current $I_N$	4 A
Protective circuit	Z diode

### LED signaling

Status display	1 LED
Status display present	yes

### Material specifications

Color Handle area	black
Flammability rating according to UL 94	V0
Sealing material	TPU (Seal molded)
Material housing valve plug	TPU
Contact material	CuSn
Valve plug contact insert material	PA 6.6
Contact surface material	Sn

### Connector

#### Header 1

Head design	free cable end
-------------	----------------

#### Head 2

Head design	Valve connector
Head thread type	A
Status indicator head	1 LED

### Cable / line

# Sensor/actuator cable - SAC-3P- 1,5-PUR/A-1L-Z



1434989

<https://www.phoenixcontact.com/de/produkte/1434989>

Cable length	1.5 m
Cable weight	30 kg/km
UL AWM Style	20549
Number of positions	3
Shielded	no
Cable type	PUR halogen-free black [PUR]
Conductor structure signal line	28x 0.15 mm
AWG signal line	20
Conductor cross section	3x 0.5 mm <sup>2</sup>
Wire diameter incl. insulation	1.5 mm ±0.05 mm (Signal line)
External cable diameter	4.5 mm ±0.2 mm
Outer sheath, material	PUR
External sheath, color	black-gray RAL 7021
Conductor material	Bare Cu litz wires
Material wire insulation	PP
Single wire, color	black 1, black 2, green/yellow
Overall twist	3 wires, twisted
Max. conductor resistance	39 Ω/km (at 20 °C)
Insulation resistance	min. 20 MΩ*km
Nominal voltage, cable	≤ 300 V
Test voltage	≥ 1200 V
Smallest bending radius, fixed installation	22.5 mm
Max. bending cycles	15000000
Halogen-free	in accordance with DIN VDE 0472 part 815
Flame resistance	according to DIN VDE 0482 According to DIN EN 50265-2-1
Resistance to oil	in accordance with DIN EN 60811-2-1
Other resistance	largely oil-resistant partly UV-resistant in accordance with DIN EN ISO 4892-2-A
Ambient temperature (operation)	-40 °C ... 80 °C (cable, fixed installation) -20 °C ... 80 °C (Cable, flexible installation)

## Cable structure

Cable type	PUR halogen-free black
External cable diameter	4.50 mm
Outer sheath, material	PUR
External sheath, color	black-gray RAL 7021
Conductor material	Bare Cu litz wires
Conductor structure signal line	28x 0.15 mm
AWG signal line	20
Material wire insulation	PP
Single wire, color	Black 1, black 2, black 3, black 4, green/yellow
Overall twist	3 concentrically twisted wires

# Sensor/actuator cable - SAC-3P- 1,5-PUR/A-1L-Z



1434989

<https://www.phoenixcontact.com/de/produkte/1434989>

## Environmental and real-life conditions

### Ambient conditions

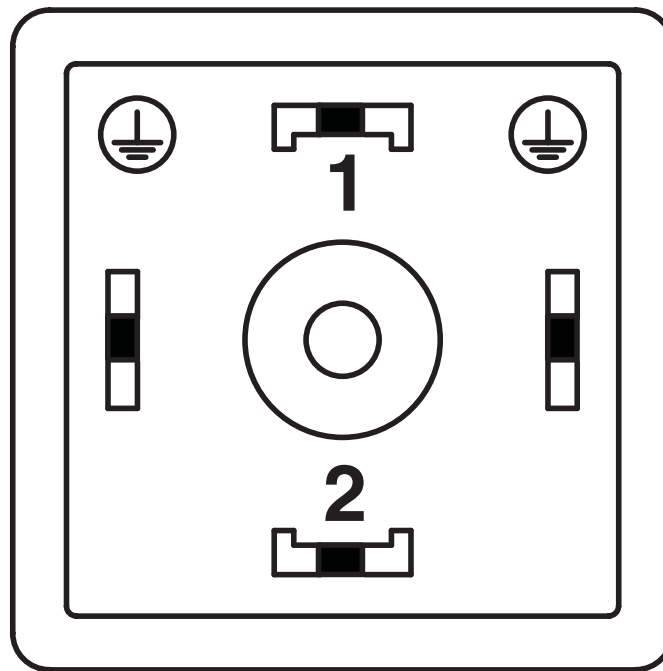
Degree of protection	IP65
	IP67
Ambient temperature (operation)	-20 °C ... 85 °C (valve plug)

## Standards and regulations

Standards/specifications	EN 175301-803
--------------------------	---------------

## Drawings

Schematic diagram



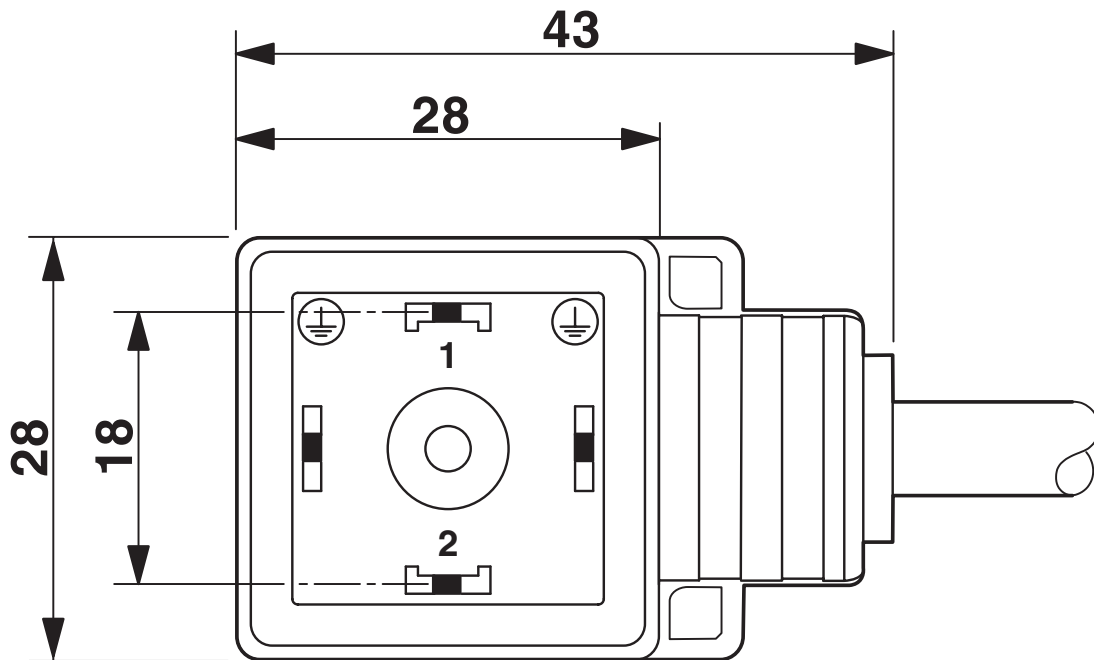
Valve connector pin assignment, type A

# Sensor/actuator cable - SAC-3P- 1,5-PUR/A-1L-Z

1434989

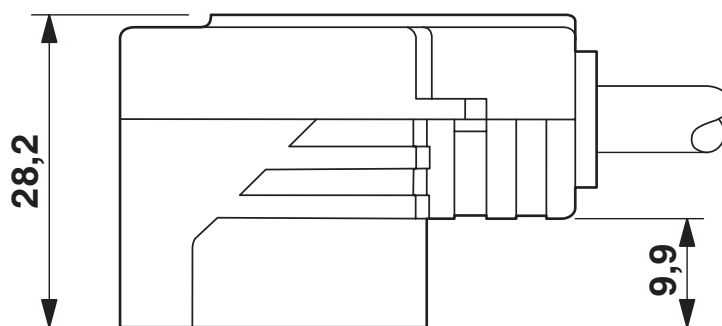
<https://www.phoenixcontact.com/de/produkte/1434989>

Dimensional drawing



Valve connector, type A, side view

Dimensional drawing

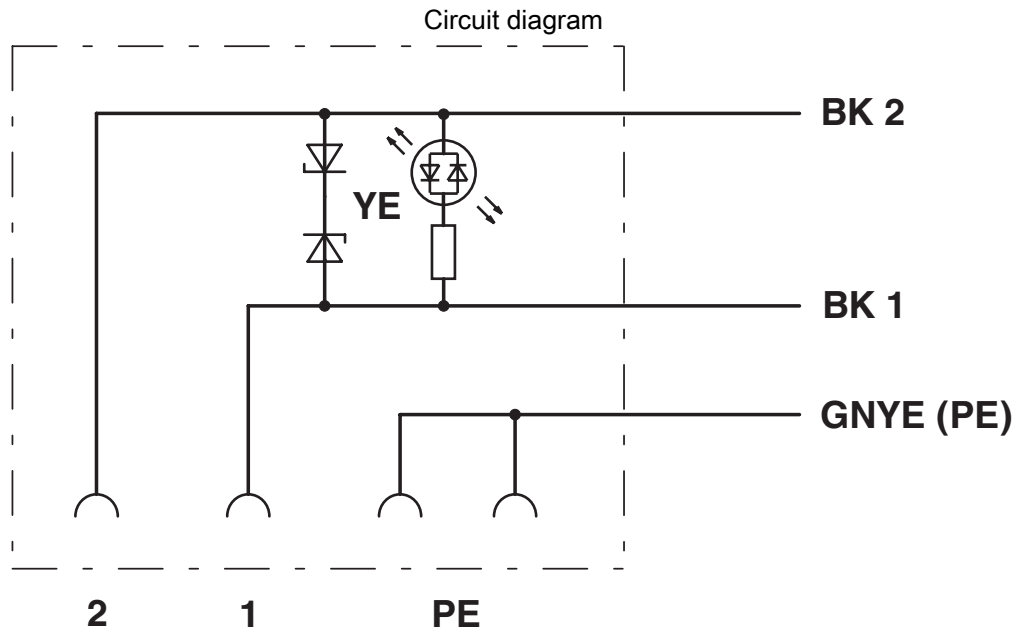


Valve connector, type A, side view

# Sensor/actuator cable - SAC-3P- 1,5-PUR/A-1L-Z

1434989

<https://www.phoenixcontact.com/de/produkte/1434989>



Contact assignment of the valve plug



# Sensor/actuator cable - SAC-3P- 1,5-PUR/A-1L-Z




1434989

<https://www.phoenixcontact.com/de/produkte/1434989>

## Approvals

 <b>CSA</b> Approval ID: 13631				
	Nominal Voltage $U_N$	Nominal Current $I_N$	Cross Section AWG	Cross Section $\text{mm}^2$
	24 V	4 A	-	-

 <b>EAC</b> Approval ID: RU C-DE.BL08.B.00286				
---	--	--	--	--

 <b>EAC</b> Approval ID: RU D-DE.HB35.B.00387				
---	--	--	--	--

 <b>CSAus</b> Approval ID: 13631				
	Nominal Voltage $U_N$	Nominal Current $I_N$	Cross Section AWG	Cross Section $\text{mm}^2$
	24 V	4 A	-	-

<b>cCSAus</b>				
---------------	--	--	--	--

# Sensor/actuator cable - SAC-3P- 1,5-PUR/A-1L-Z



1434989

<https://www.phoenixcontact.com/de/produkte/1434989>

## Classifications

### ECLASS

ECLASS-9.0	27060312
ECLASS-10.0.1	27060312
ECLASS-11.0	27060312

### ETIM

ETIM 8.0	EC001855
----------	----------

### UNSPSC

UNSPSC 21.0	31251500
-------------	----------

# Sensor/actuator cable - SAC-3P- 1,5-PUR/A-1L-Z



1434989

<https://www.phoenixcontact.com/de/produkte/1434989>

## Environmental Product Compliance

China RoHS	Environmentally Friendly Use Period = 50 years For information on hazardous substances, refer to the manufacturer's declaration available under "Downloads"
------------	--

# Sensor/actuator cable - SAC-3P- 1,5-PUR/A-1L-Z

1434989

<https://www.phoenixcontact.com/de/produkte/1434989>

## Accessories

### Screw

Screw - SAC-V-SCREW-M3-29 KNURL - 1403779

<https://www.phoenixcontact.com/de/produkte/1403779>

Fillister head screw with plastic knurl, M3 x 40



---

### Insert label

Insert label - PABA WH/23 - 1013779

<https://www.phoenixcontact.com/de/produkte/1013779>

Insert label, Strip, white, unlabeled, can be labeled with: CMS-P1-PLOTTER, mounting type: slide-on, cable diameter range: 1.5 ... 35 mm, lettering field size: 23 x 4 mm, Number of individual labels: 20



# Sensor/actuator cable - SAC-3P- 1,5-PUR/A-1L-Z

1434989

<https://www.phoenixcontact.com/de/produkte/1434989>

## Torque screwdriver

Torque screwdriver - TSD-M 1,2NM - 1212224

<https://www.phoenixcontact.com/de/produkte/1212224>



Torque screw driver, accuracy as per EN ISO 6789 standard, adjustable from 0.3 - 1.2 Nm

---

## Insert label

Insert label - PABA YE/23 - 1013782

<https://www.phoenixcontact.com/de/produkte/1013782>



Insert label, Strip, yellow, unlabeled, can be labeled with: CMS-P1-PLOTTER, mounting type: slide-on, cable diameter range: 1.5 ... 35 mm, lettering field size: 23 x 4 mm, Number of individual labels: 20

# Sensor/actuator cable - SAC-3P- 1,5-PUR/A-1L-Z



1434989

<https://www.phoenixcontact.com/de/produkte/1434989>

## Screw insert

Screw insert - SF-BIT-PH 1-70 - 1212582

<https://www.phoenixcontact.com/de/produkte/1212582>



Screw bit, PH crosshead, E6.3-1/4" drive, size: PH 1 x 70 mm, hardened, suitable for holder according to DIN 3126-F6.3/ISO 1173

---

## Marker pen

Marker pen - B-STIFT - 1051993

<https://www.phoenixcontact.com/de/produkte/1051993>



Marker pen, for manual labeling of unprinted Zack strips, smear-proof and waterproof, line thickness 0.5 mm

# Sensor/actuator cable - SAC-3P- 1,5-PUR/A-1L-Z

1434989

<https://www.phoenixcontact.com/de/produkte/1434989>

## Diagonal cutter

Diagonal cutter - CUTFOX-S VDE - 1212207

<https://www.phoenixcontact.com/de/produkte/1212207>



Diagonal cutter for hard (piano wire) and soft wires, VDE 1000 V AC/1500 V DC tested

---

## Stripping tool

Stripping tool - WIREFOX SAC-1 - 1212757

<https://www.phoenixcontact.com/de/produkte/1212757>



Stripping pliers, for halogen-free sensor/actuator cables (SAC cables), with PUR and PVC insulation, from Ø of 3.2 to 4.4 mm, any stripping length

1434989

<https://www.phoenixcontact.com/de/produkte/1434989>

## Stripping tool

Stripping tool - WIREFOX SAC - 1212623

<https://www.phoenixcontact.com/de/produkte/1212623>



Stripping pliers, for halogen-free sensor/actuator cables (SAC cables), with PUR and PVC insulation, from  $\varnothing$  of 4.4 to 7 mm, any stripping length

---

## Stripping tool

Stripping tool - WIREFOX 10 - 1212150

<https://www.phoenixcontact.com/de/produkte/1212150>



Stripping tool, for cables and conductors from 0.02 - 10 mm<sup>2</sup>, self-adjusting, stripping length of up to 18 mm, cutting capacity of up to 10 mm<sup>2</sup> stranded/1.5 mm<sup>2</sup> solid, replaceable stripping blade



# Sensor/actuator cable - SAC-3P- 1,5-PUR/A-1L-Z

1434989

<https://www.phoenixcontact.com/de/produkte/1434989>

## Protective hose adapter

Protective hose adapter - WP-CTA POM 13,0 BK - 1422884

<https://www.phoenixcontact.com/de/produkte/1422884>



Protective hose adapter, for corrugated hoses with a nominal size of 13 (10 x 13), corrugated in parallel

---

## Protective hose

Protective hose - WP-PA HF 13,0 BK - 3240681

<https://www.phoenixcontact.com/de/produkte/3240681>



Protective hose, material: PA 6, filament: without, UV-resistant: yes, flexible, degree of protection: IP68, color: black, inflammability class in acc. with UL 94: V0, inner diameter: 10 mm, Total length: 50 m

# Sensor/actuator cable - SAC-3P- 1,5-PUR/A-1L-Z



1434989

<https://www.phoenixcontact.com/de/produkte/1434989>

## Protective hose

Protective hose - WP-PA HF-HB 13,0 BK - 3240839

<https://www.phoenixcontact.com/de/produkte/3240839>



Protective hose, material: PA 6, filament: without, UV-resistant: yes, flexible, degree of protection: IP68, color: black, inflammability class in acc. with UL 94: HB, inner diameter: 10 mm, Total length: 50 m

---

Phoenix Contact 2022 © - all rights reserved

<https://www.phoenixcontact.com>

PHOENIX CONTACT Deutschland GmbH

Flachsmarktstraße 8

D-32825 Blomberg

+49 52 35/3-1 20 00

[info@phoenixcontact.de](mailto:info@phoenixcontact.de)