

# Control cabinet feed-through - CUC-BH-M12D1PBK-S/R4BE



1414398

<https://www.phoenixcontact.com/pc/products/1414398>

Please be informed that the data shown in this PDF document is generated from our Online Catalog. Please find the complete data in the user documentation. Our General Terms of Use for Downloads are valid.

---



Control cabinet feed-through, M12, 4-pos., D-coded to RJ45 socket, socket entry: 180°, IP65/IP67

---

## Your advantages

- Compact design
- 100 Mbps
- IP65/67
- UL

# Control cabinet feed-through - CUC-BH-M12D1PBK-S/R4BE



1414398

<https://www.phoenixcontact.com/pc/products/1414398>

## Commercial Data

Item number	1414398
Packing unit	1 pc
Minimum order quantity	1 pc
Note	Made to Order (non-returnable)
Product Key	ABNGAA
Catalog Page	Page 348 (C-2-2019)
GTIN	4055626166759
Weight per Piece (including packing)	34.14 g
Weight per Piece (excluding packing)	33.6 g
Customs tariff number	85366990
Country of origin	DE

# Control cabinet feed-through - CUC-BH-M12D1PBK-S/R4BE



1414398

<https://www.phoenixcontact.com/pc/products/1414398>

## Technical Data

### Product properties

Product type	Data plug
Number of positions	4
Shielded	yes
Cable outlet	straight
Thread type	M12

### Electrical properties

Rated voltage (III/3)	72 V (DC)
Rated surge voltage	0.8 kV
Rated current	1.75 A
Nominal voltage $U_N$	48 V
Nominal current $I_N$	0.5 A

### Material specifications

Color	black
Flammability rating according to UL 94	V0
Material of grip body	PA
Contact material	Copper alloy
Housing material	PA

### Connector

Insertion/withdrawal cycles	$\geq 100$
-----------------------------	------------

### Environmental and real-life conditions

#### Ambient conditions

Degree of protection	IP65/IP67
Ambient temperature (operation)	-25 °C ... 85 °C

### Mounting

Mounting type	Rear mounting
---------------	---------------

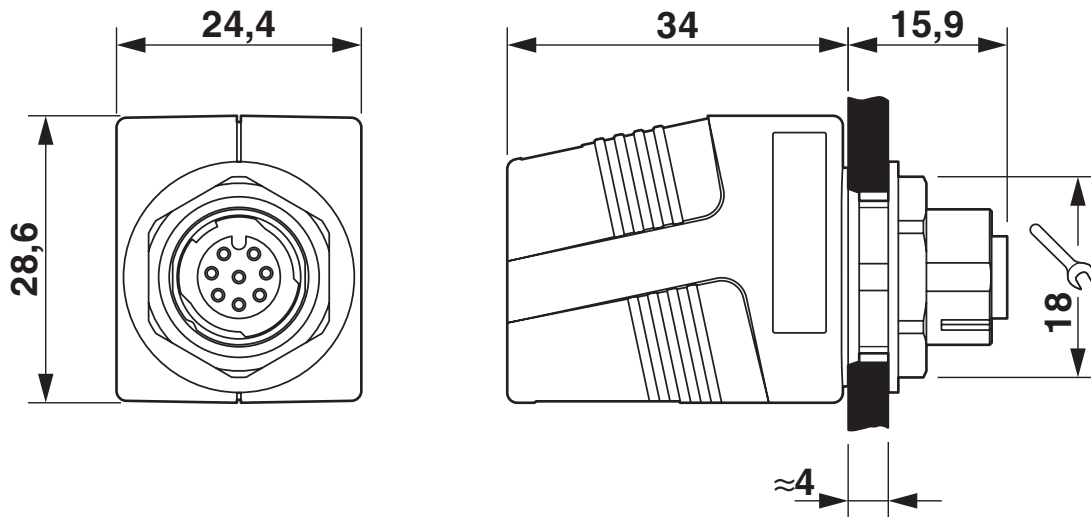
# Control cabinet feed-through - CUC-BH-M12D1PBK-S/R4BE

1414398

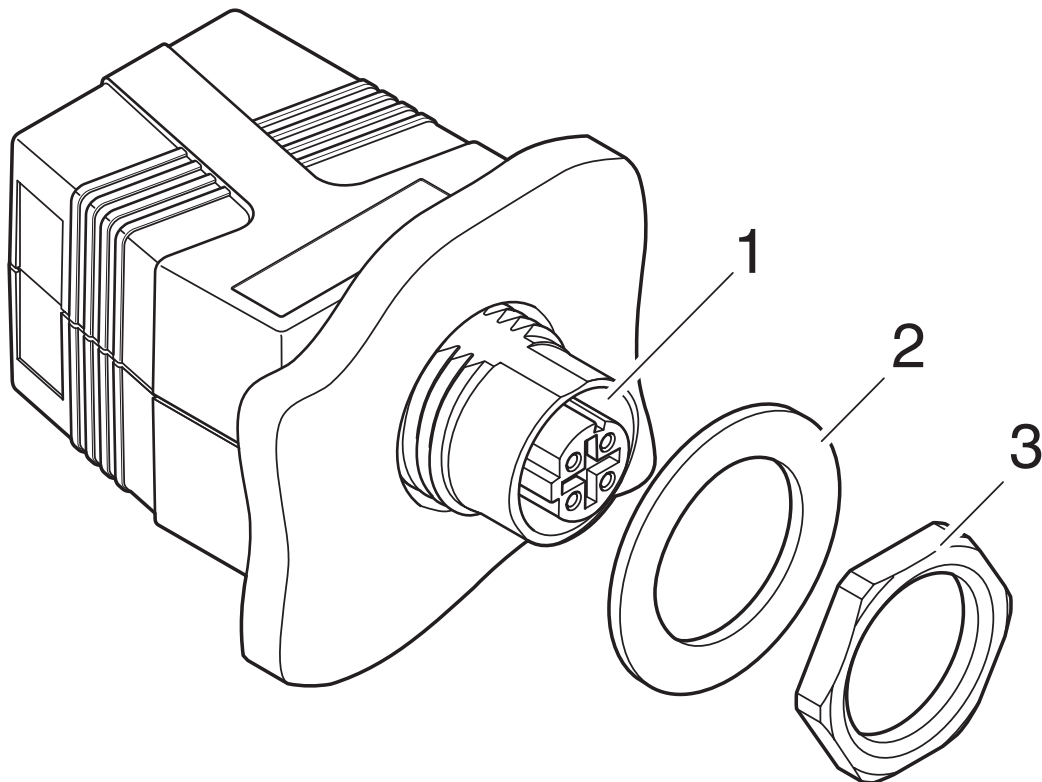
<https://www.phoenixcontact.com/pc/products/1414398>

## Drawings

Dimensional drawing



Exploded view



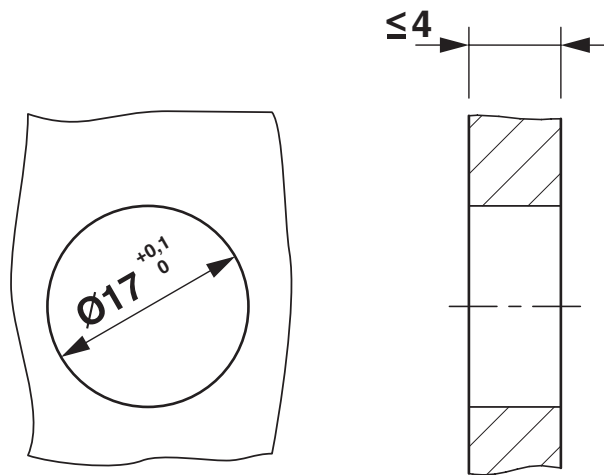
Exploded drawing

# Control cabinet feed-through - CUC-BH-M12D1PBK-S/R4BE

1414398

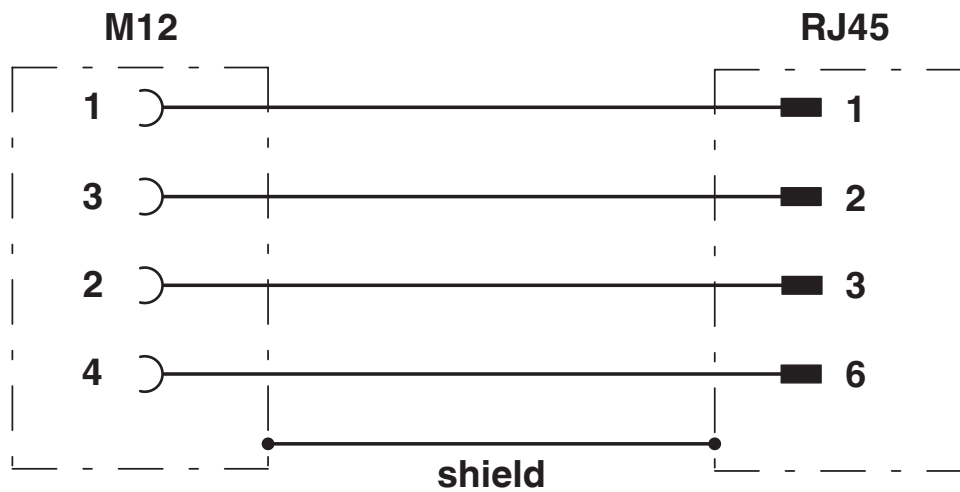
<https://www.phoenixcontact.com/pc/products/1414398>

Dimensional drawing



Mounting cutout

Circuit diagram



Circuit diagram

# Control cabinet feed-through - CUC-BH-M12D1PBK-S/R4BE



1414398

<https://www.phoenixcontact.com/pc/products/1414398>

## Approvals



### EAC

Approval ID: B.01687



### UL Listed

Approval ID: E335024-20140306

	Nominal Voltage $U_N$	Nominal Current $I_N$	Cross Section AWG	Cross Section $\text{mm}^2$
	60 V	0.5 A	-	-



### cUL Listed

Approval ID: E335024-20140306

	Nominal Voltage $U_N$	Nominal Current $I_N$	Cross Section AWG	Cross Section $\text{mm}^2$
	60 V	0.5 A	-	-

### cULus Listed

# Control cabinet feed-through - CUC-BH-M12D1PBK-S/R4BE



1414398

<https://www.phoenixcontact.com/pc/products/1414398>

## Classifications

### ECLASS

ECLASS-9.0	27141134
ECLASS-10.0.1	27141134
ECLASS-11.0	27141134

### ETIM

ETIM 8.0	EC001283
----------	----------

### UNSPSC

UNSPSC 21.0	39121400
-------------	----------

# Control cabinet feed-through - CUC-BH-M12D1PBK-S/R4BE



1414398

<https://www.phoenixcontact.com/pc/products/1414398>

## Environmental Product Compliance

REACH SVHC	Lead 7439-92-1
China RoHS	Environmentally Friendly Use Period = 50 years
	For information on hazardous substances, refer to the manufacturer's declaration available under "Downloads"

Phoenix Contact 2022 © - all rights reserved

<https://www.phoenixcontact.com>

PHOENIX CONTACT GmbH & Co. KG

Flachsmarktstraße 8

D-32825 Blomberg

+49 (0) 5235-3 00

[info@phoenixcontact.com](mailto:info@phoenixcontact.com)