

RJ45 sleeve housings - VS-08-T-RJ45/IP67

1688696

<https://www.phoenixcontact.com/pc/products/1688696>

Please be informed that the data shown in this PDF document is generated from our Online Catalog. Please find the complete data in the user documentation. Our General Terms of Use for Downloads are valid.



RJ45 sleeve housing, IP67, for pin insert VS-08-ST-RJ45, with push-pull interlocking for panel mounting frames, for cable cross section 5.0 mm ... 6.5 mm

RJ45 sleeve housings - VS-08-T-RJ45/IP67



1688696

<https://www.phoenixcontact.com/pc/products/1688696>

Commercial Data

Item number	1688696
Packing unit	5 pc
Minimum order quantity	1 pc
Note	Made to Order (non-returnable)
Product Key	ABNDAE
Catalog Page	Page 170 (PC-2007)
GTIN	4017918863616
Weight per Piece (including packing)	15.27 g
Weight per Piece (excluding packing)	15 g
Customs tariff number	85389099
Country of origin	DE

RJ45 sleeve housings - VS-08-T-RJ45/IP67

1688696

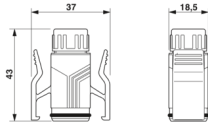
<https://www.phoenixcontact.com/pc/products/1688696>

Technical Data

Product properties

Type	RJ45
Product type	Sleeve housings
No. of cable outlets	1
Housing type	Plastic sleeve housing
Cable outlet	straight

Dimensions

Dimensional drawing	
Width	38.4 mm
Height	45 mm
Length	19.9 mm

Material specifications

Color	gray
Flammability rating according to UL 94	V0
Cable seal material	NBR
O-ring material	FPM
Cable gland material	PA 6.6
Housing material	PA

Connector

Insertion/withdrawal cycles	≥ 1000
-----------------------------	--------

Cable / line

Cable structure	
External cable diameter	5 mm ... 6.5 mm

Environmental and real-life conditions

Ambient conditions	
Degree of protection	IP67
Ambient temperature (operation)	-40 °C ... 80 °C

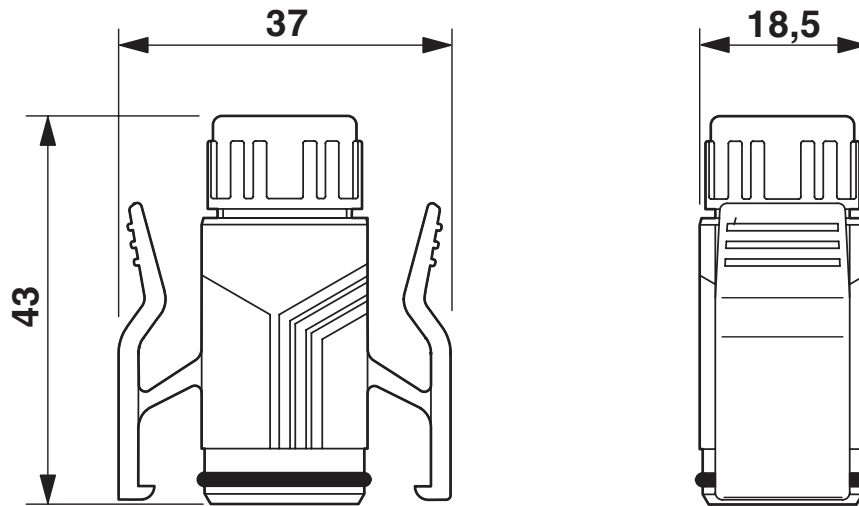
RJ45 sleeve housings - VS-08-T-RJ45/IP67

1688696

<https://www.phoenixcontact.com/pc/products/1688696>

Drawings

Dimensional drawing



RJ45 sleeve housing IP67

RJ45 sleeve housings - VS-08-T-RJ45/IP67



1688696

<https://www.phoenixcontact.com/pc/products/1688696>

Approvals



EAC

Approval ID: B.01687

RJ45 sleeve housings - VS-08-T-RJ45/IP67



1688696

<https://www.phoenixcontact.com/pc/products/1688696>

Classifications

ECLASS

ECLASS-9.0	27440202
ECLASS-10.0.1	27440202
ECLASS-11.0	27440202

ETIM

ETIM 8.0	EC000437
----------	----------

UNSPSC

UNSPSC 21.0	31261500
-------------	----------

RJ45 sleeve housings - VS-08-T-RJ45/IP67



1688696

<https://www.phoenixcontact.com/pc/products/1688696>

Environmental Product Compliance

China RoHS	Environmentally friendly use period: unlimited = EFUP-e
	No hazardous substances above threshold values

RJ45 sleeve housings - VS-08-T-RJ45/IP67

1688696

<https://www.phoenixcontact.com/pc/products/1688696>

Accessories

Protective cover

Protective cover - VS-SCRJ-PC - 1653757

<https://www.phoenixcontact.com/pc/products/1653757>

IP67 protective cover, for covering the male inserts in the sleeve housings IP67, VS-SC-RJ-..., VS-04-..., VS-06-... and VS-08-...



RJ45 male insert

RJ45 male insert - VS-08-ST-RJ45 - 1688573

<https://www.phoenixcontact.com/pc/products/1688573>

RJ45 pin insert, CAT5e, 8-pos., shielded, IDC connection method, for litz wires AWG 26 and solid wires AWG 26 ... 24



Phoenix Contact 2022 © - all rights reserved

<https://www.phoenixcontact.com>

PHOENIX CONTACT GmbH & Co. KG

Flachsmarktstraße 8

D-32825 Blomberg

+49 (0) 5235-3 00

info@phoenixcontact.com