

Thermal device circuit breaker - TCP 2A

0712217

<https://www.phoenixcontact.com/de/produkte/0712217>

Please be informed that the data shown in this PDF document is generated from our Online Catalog. Please find the complete data in the user documentation. Our General Terms of Use for Downloads are valid.



Thermal miniature circuit breaker, pluggable in screw-type fuse terminal block UK 6-FSI/C and spring-cage fuse terminal block ST 4-FSI/C

Your advantages

- Fast, replacement part-free recommissioning after an event with the reconnection options
- Easy to retrofit in existing systems with vehicle flat-type fuses with identical pin connector pattern
- System disconnection for maintenance actions via the integrated device switch

Thermal device circuit breaker - TCP 2A



0712217

<https://www.phoenixcontact.com/de/produkte/0712217>

Commercial Data

Item number	0712217
Packing unit	20 pc
Minimum order quantity	1 pc
Sales Key	L1 - Schutzschalter
Product Key	CLA111
Catalog Page	Page 401 (C-4-2019)
GTIN	4017918848361
Weight per Piece (including packing)	11,5 g
Weight per Piece (excluding packing)	10,5 g
Customs tariff number	85362010
Country of origin	ID

Thermal device circuit breaker - TCP 2A



0712217

<https://www.phoenixcontact.com/de/produkte/0712217>

Technical Data

Notes

General	When mounted in rows, the nominal device current can be limited to just 80% or must be oversized accordingly.
---------	---

Product properties

Type	Male
Product type	Thermal device circuit breakers
Number of positions	1
No. of channels	1

Insulation characteristics

Overvoltage category	II
Degree of pollution	2

Electrical properties

No. of channels	1
Fuse type	Automatic device
Maximum power dissipation for nominal condition	≤ 1 VA
Fuse	Slow-blow
Rated voltage	250 V AC 65 V DC 250 V (AC according to UL 1077) 72 V (DC according to UL 1077)
Rated current I_N	2 A
Rated surge voltage	2.5 kV
Insulation resistance R_{iso}	> 100 M Ω (500 V DC)
Tripping method	T (thermal)
Device resistance	0 Ω
Rated short-circuit switching capacity I_{cn}	12 A (250 V AC / 65 V DC) 20 A (30 V DC)
Short-circuit switching capacity	2000 A (250 V AC / UL 1077) 2000 A (72 V DC / UL 1077)
Dielectric strength	3000 V AC (Actuation area) 1500 V AC (Installation area)
Switching cycles, max.	6000 (At 1 x I_n , low-induction) 3000 (At 1 x I_n , inductive) 500 (At 2 x I_n , inductive)

Connection data

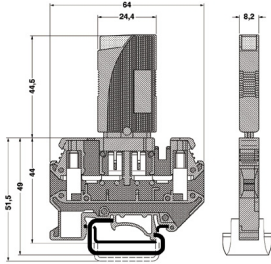
Nominal current	2 A
Nominal voltage	250 V AC 65 V DC

Thermal device circuit breaker - TCP 2A

0712217

<https://www.phoenixcontact.com/de/produkte/0712217>

Dimensions

Dimensional drawing	
Width	8.2 mm
Width	8.2 mm
Height	24.4 mm
Height	24.4 mm
Height NS 35/7,5	55 mm
Depth	44.5 mm
Depth	44.5 mm

Material specifications

Color	black
Flammability rating according to UL 94	V0
Insulating material group	IIIb
Insulating material	PPS

Mechanical properties

Mechanical data

Open side panel	No
-----------------	----

Environmental and real-life conditions

Ambient conditions

Degree of protection	IP40 (Actuation area)
Ambient temperature (operation)	-20 °C ... 60 °C
Altitude	4000 m
Humidity test	240 h, 95 % RH, 40 °C

Standards and regulations

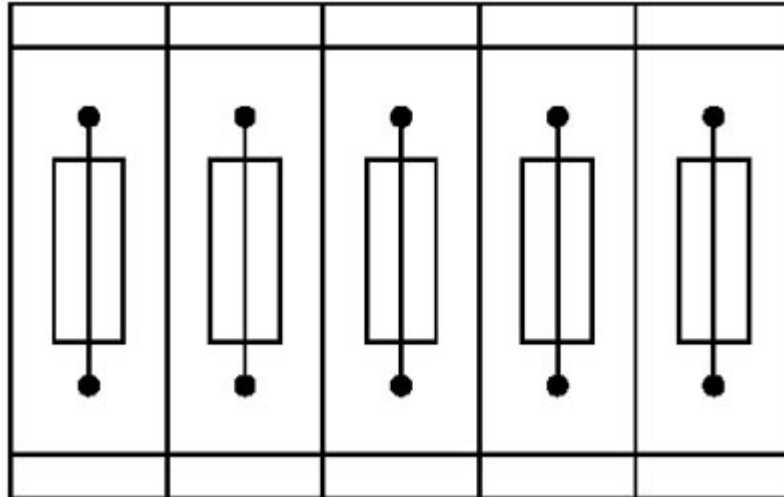
Standards/specifications	EN 60934
--------------------------	----------

Mounting

Mounting type	on base element
---------------	-----------------

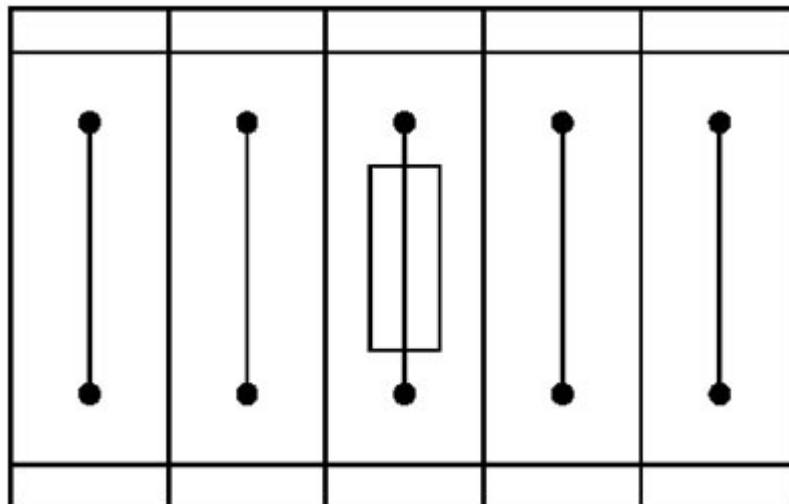
Drawings

Application drawing



Fuse terminal blocks in interconnected arrangement,
block consisting of 5 fuse terminal blocks

Application drawing



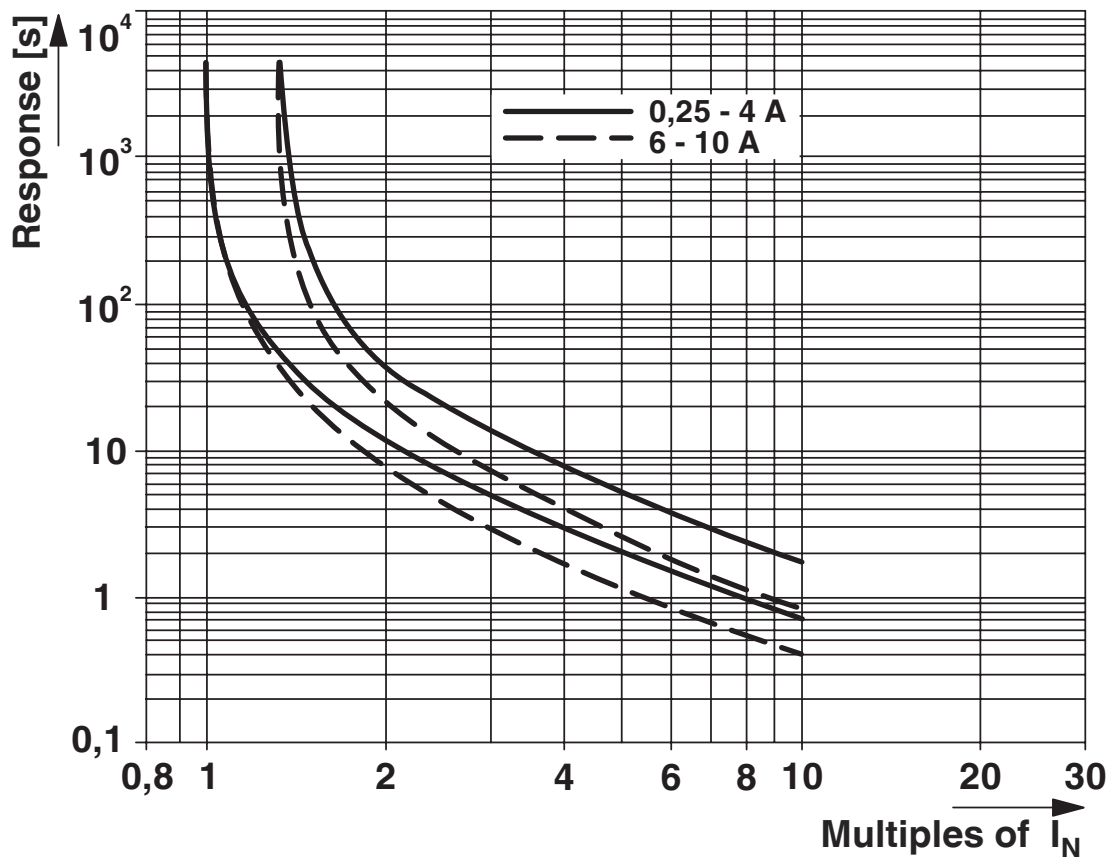
Fuse terminal block in single arrangement,
block consisting of one fuse terminal block and 4 feed-through terminal blocks

Thermal device circuit breaker - TCP 2A

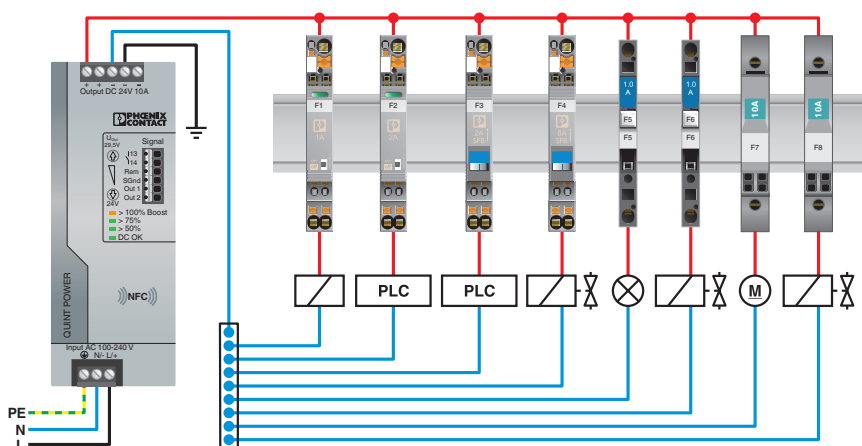
0712217

<https://www.phoenixcontact.com/de/produkte/0712217>

Diagram



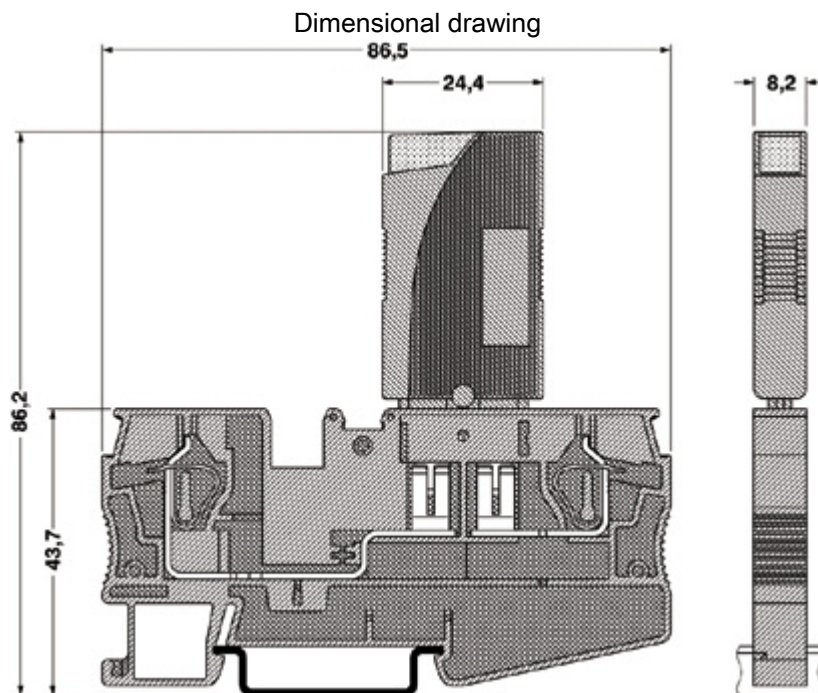
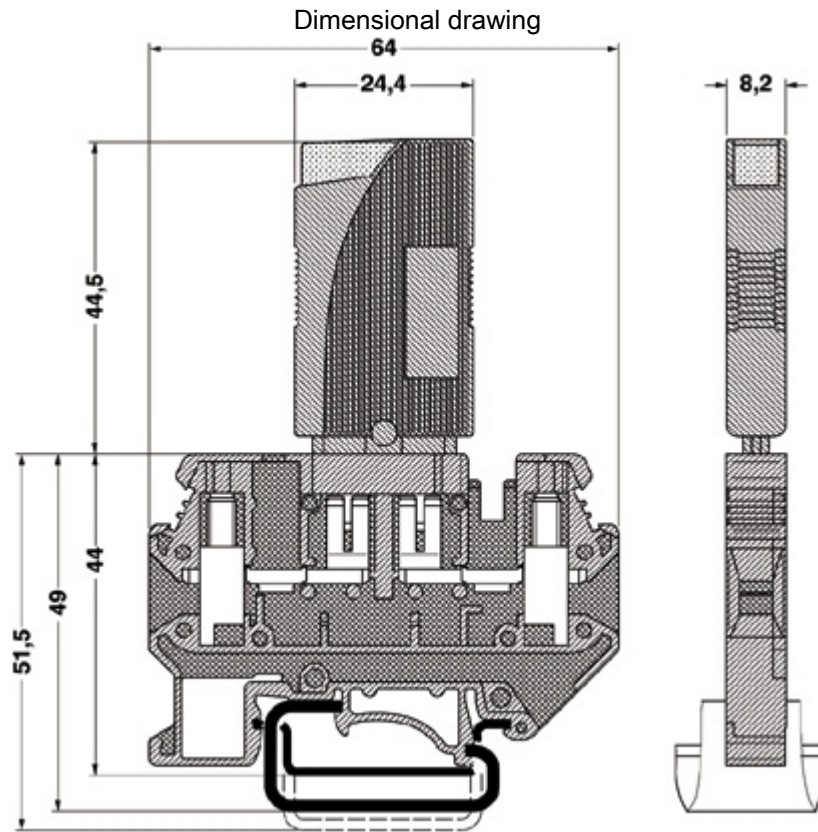
Application drawing



Thermal device circuit breaker - TCP 2A

0712217

<https://www.phoenixcontact.com/de/produkte/0712217>




Thermal device circuit breaker - TCP 2A





0712217


<https://www.phoenixcontact.com/de/produkte/0712217>


Approvals

 CSA Approval ID: 074317				
	Nominal Voltage U_N	Nominal Current I_N	Cross Section AWG	Cross Section mm^2
	250 V	2 A	-	-


 cUL Recognized Approval ID: FILE E 140459

 UL Recognized Approval ID: FILE E 140459
--

 EAC Approval ID: EAC-Zulassung

 EAC Approval ID: RU C-DE.A*30.B01546
--

 VDE Zeichengenehmigung Approval ID: 40034332
--

 CCC Approval ID: 2019010307241945

cULus Recognized

Thermal device circuit breaker - TCP 2A



0712217

<https://www.phoenixcontact.com/de/produkte/0712217>

Classifications

ECLASS

ECLASS-9.0	27141116
ECLASS-10.0.1	27141116
ECLASS-11.0	27141116

ETIM

ETIM 8.0	EC000899
----------	----------

UNSPSC

UNSPSC 21.0	39121400
-------------	----------

Thermal device circuit breaker - TCP 2A



0712217

<https://www.phoenixcontact.com/de/produkte/0712217>

Environmental Product Compliance

China RoHS	Environmentally friendly use period: unlimited = EFUP-e
	No hazardous substances above threshold values

0712217

<https://www.phoenixcontact.com/de/produkte/0712217>

Accessories

Flat zack marker sheet

Flat zack marker sheet - ZBFM 5/WH:UNBEDRUCKT - 0803595

<https://www.phoenixcontact.com/de/produkte/0803595>

Flat zack marker sheet, Sheet, white, unlabeled, can be labeled with: CMS-P1-PLOTTER, PLOTMARK, mounting type: snapped, for terminal block width: 5.2 mm, lettering field size: 5 x 4.5 mm, Number of individual labels: 120

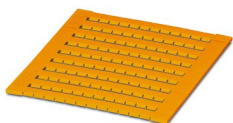


Flat zack marker sheet

Flat zack marker sheet - ZBFM 5/OG:UNBEDRUCKT - 0807180

<https://www.phoenixcontact.com/de/produkte/0807180>

Flat zack marker sheet, Sheet, orange, unlabeled, can be labeled with: CMS-P1-PLOTTER, PLOTMARK, mounting type: snap in, for terminal block width: 5.2 mm, lettering field size: 5 x 4.5 mm, Number of individual labels: 120



Thermal device circuit breaker - TCP 2A

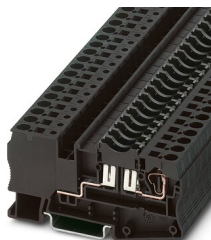
0712217

<https://www.phoenixcontact.com/de/produkte/0712217>

Fuse modular terminal block

Fuse modular terminal block - ST 4-FSI/C - 3036372

<https://www.phoenixcontact.com/de/produkte/3036372>



Fuse modular terminal block, fuse type: Flat, fuse type: C, nom. voltage: 400 V, nominal current: 30 A, connection method: Spring-cage connection, 1 level, Rated cross section: 4 mm², cross section: 0.08 mm²- 6 mm², mounting type: NS 35/7,5, NS 35/15, color: black

Fuse modular terminal block

Fuse modular terminal block - ST 4-FSI/C-LED 12 - 3036495

<https://www.phoenixcontact.com/de/produkte/3036495>



Fuse terminal block with LED for mounting on NS 35, for miniature circuit breakers, terminal width: 8.2 mm, color: Black

Thermal device circuit breaker - TCP 2A

0712217

<https://www.phoenixcontact.com/de/produkte/0712217>

Fuse modular terminal block

Fuse modular terminal block - ST 4-FSI/C-LED 24 - 3036505

<https://www.phoenixcontact.com/de/produkte/3036505>



Fuse terminal block with LED for mounting on NS 35, for miniature circuit breakers, terminal width: 8.2 mm, color: Black

Fuse modular terminal block

Fuse modular terminal block - UK 6-FSI/C - 3118203

<https://www.phoenixcontact.com/de/produkte/3118203>



Flat-type fuse terminal block, cross section: 0.2 - 6 mm², AWG: 26 - 8, width: 8.2 mm, color: black

Thermal device circuit breaker - TCP 2A

0712217

<https://www.phoenixcontact.com/de/produkte/0712217>

Fuse modular terminal block

Fuse modular terminal block - UK 6-FSI/C-LED12 - 3001925

<https://www.phoenixcontact.com/de/produkte/3001925>



Flat-type fuse terminal block, cross section: 0.2 - 6 mm², AWG: 26 - 8, width: 8.2 mm, color: black, with light indicator, voltage light indicator: 12 V DC, current light indicator: 2 mA

Fuse modular terminal block

Fuse modular terminal block - UK 6-FSI/C-LED24 - 3001938

<https://www.phoenixcontact.com/de/produkte/3001938>



Flat-type fuse terminal block, cross section: 0.2 - 6 mm², AWG: 26 - 8, width: 8.2 mm, color: black, with light indicator, voltage light indicator: 24 V DC, current light indicator: 2 mA

Thermal device circuit breaker - TCP 2A

0712217

<https://www.phoenixcontact.com/de/produkte/0712217>

Fuse modular terminal block

Fuse modular terminal block - PT 6-FSI/C - 3212166

<https://www.phoenixcontact.com/de/produkte/3212166>



Fuse modular terminal block, fuse type: Flat, fuse type: Type C / max. 2.2 W, nom. voltage: 400 V, nominal current: 25 A, connection method: Push-in connection, 1 level, Rated cross section: 6 mm², cross section: 0.5 mm²- 10 mm², mounting type: NS 35/7,5, NS 35/15, color: black

Fuse modular terminal block

Fuse modular terminal block - PT 6-FSI/C-LED 12 - 3212169

<https://www.phoenixcontact.com/de/produkte/3212169>



Fuse modular terminal block, fuse type: Flat, fuse type: Type C / max. 2.2 W, nom. voltage: 12 V, nominal current: 25 A, connection method: Push-in connection, 1 level, Rated cross section: 6 mm², cross section: 0.5 mm²- 10 mm², mounting type: NS 35/7,5, NS 35/15, color: black

Thermal device circuit breaker - TCP 2A

0712217

<https://www.phoenixcontact.com/de/produkte/0712217>

Fuse modular terminal block

Fuse modular terminal block - PT 6-FSI/C-LED 24 - 3212172

<https://www.phoenixcontact.com/de/produkte/3212172>



Fuse modular terminal block, fuse type: Flat, fuse type: Type C / max. 2.2 W, nom. voltage: 24 V, nominal current: 25 A, connection method: Push-in connection, 1 level, Rated cross section: 6 mm², cross section: 0.5 mm²- 10 mm², mounting type: NS 35/7,5, NS 35/15, color: black

Fuse modular terminal block

Fuse modular terminal block - PT 6-FSI/C-LED 48 - 3212175

<https://www.phoenixcontact.com/de/produkte/3212175>



Fuse modular terminal block, fuse type: Flat, fuse type: Type C / max. 2.2 W, nom. voltage: 48 V, nominal current: 25 A, connection method: Push-in connection, 1 level, Rated cross section: 6 mm², cross section: 0.5 mm²- 10 mm², mounting type: NS 35/7,5, NS 35/15, color: black

Phoenix Contact 2022 © - all rights reserved
<https://www.phoenixcontact.com>

PHOENIX CONTACT Deutschland GmbH
Flachsmarktstraße 8
D-32825 Blomberg
+49 52 35/3-1 20 00
info@phoenixcontact.de