

# Y distributor - SAC-5P-M12Y/2XM12FS VP S21



1514029

<https://www.phoenixcontact.com/de/produkte/1514029>

Please be informed that the data shown in this PDF document is generated from our Online Catalog. Please find the complete data in the user documentation. Our General Terms of Use for Downloads are valid.

---



Y distributor, 5-position, unshielded, Plug straight M12, coding: A, on Socket straight M12, coding: A and Socket straight M12, coding: A, Parallel distributor

# Y distributor - SAC-5P-M12Y/2XM12FS VP S21



1514029

<https://www.phoenixcontact.com/de/produkte/1514029>

## Commercial Data

Item number	1514029
Packing unit	5 pc
Minimum order quantity	1 pc
Sales Key	C1 - Sensor-Aktor-Kabel
Product Key	BF1GAB
Catalog Page	Page 253 (C-2-2019)
GTIN	4017918943509
Weight per Piece (including packing)	29,41 g
Weight per Piece (excluding packing)	26,78 g
Customs tariff number	85366990
Country of origin	PL

# Y distributor - SAC-5P-M12Y/2XM12FS VP S21

1514029

<https://www.phoenixcontact.com/de/produkte/1514029>

## Technical Data

### Product properties

Product type	Y-distributor
Number of positions	5
No. of cable outlets	2
Shielded	no
Coding	A - standard
Thread type	M12

### Insulation characteristics

Overvoltage category	II
Degree of pollution	3

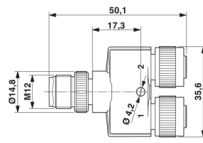
### Electrical properties

Insulation resistance	$\geq 100 \text{ M}\Omega$
Nominal voltage $U_N$	48 V AC
	60 V DC
Nominal current $I_N$	4 A

### LED signaling

Status display	No
Status display present	No

### Dimensions

Dimensional drawing	
Width	39 mm
Height	16 mm
Length	50.1 mm
Center distance	21 mm

### Material specifications

Flammability rating according to UL 94	HB
Sealing material	NBR
Material of grip body	TPU, hardly inflammable, self-extinguishing
Contact material	CuZn
Contact surface material	Ni/Au
Contact carrier material	TPU GF
Cable gland material	Zinc die-cast, nickel-plated

# Y distributor - SAC-5P-M12Y/2XM12FS VP S21



1514029

<https://www.phoenixcontact.com/de/produkte/1514029>

## Connector

Insertion/withdrawal cycles	≥ 100
-----------------------------	-------

### Header 1

Head design	Plug
Head cable outlet	straight
Head thread type	M12
Coding	A

### Header 2

Head design	Socket
Head cable outlet	straight
Head thread type	M12
Coding	A

## Environmental and real-life conditions

### Ambient conditions

Degree of protection	IP65
	IP67
Ambient temperature (operation)	-25 °C ... 90 °C (Plug / socket)

## Standards and regulations

Standards/specifications	IEC 61076-2-101
--------------------------	-----------------

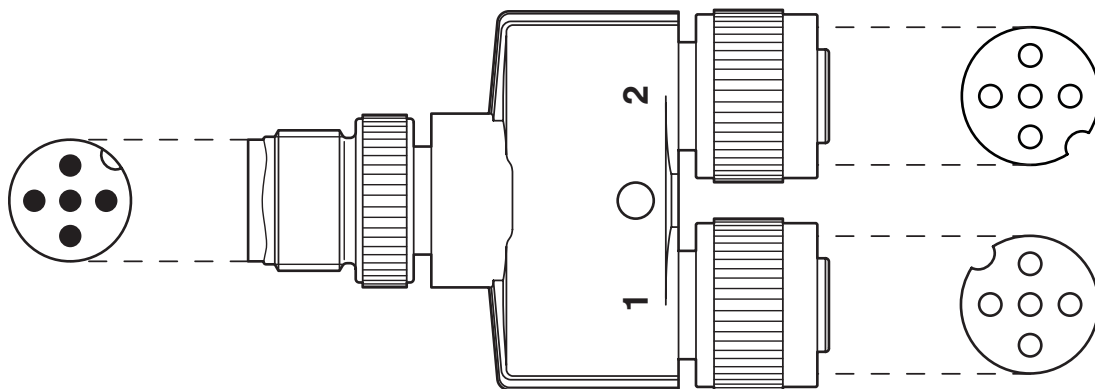
# Y distributor - SAC-5P-M12Y/2XM12FS VP S21

1514029

<https://www.phoenixcontact.com/de/produkte/1514029>

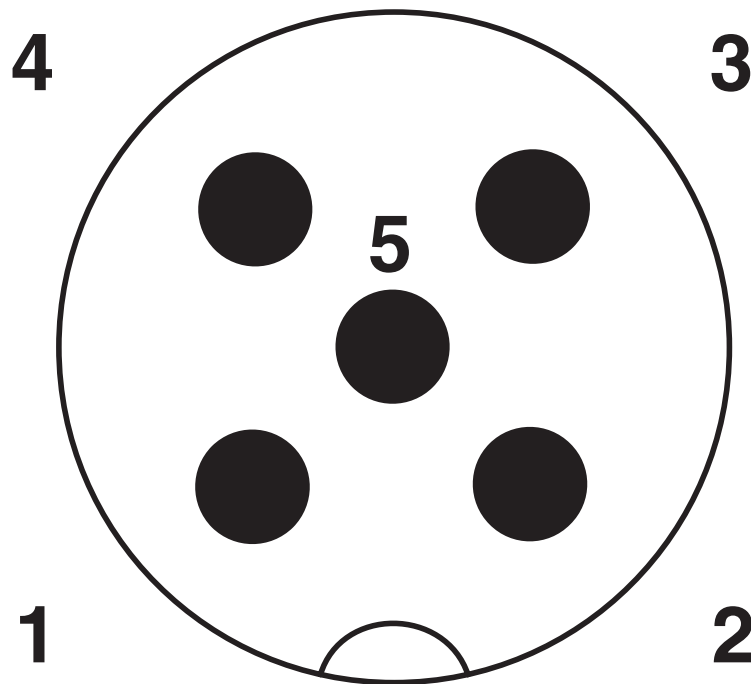
## Drawings

Schematic diagram



Layout of connector pin assignments

Schematic diagram

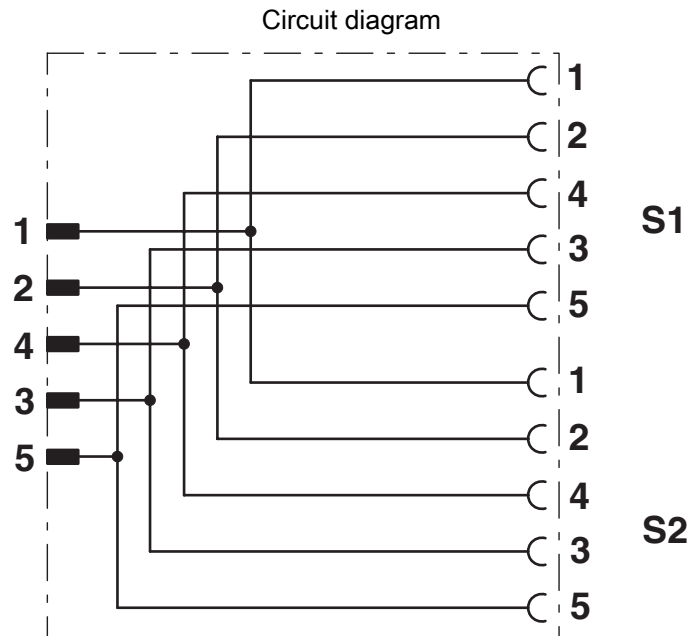


Pin assignment M12 male connector, 5-pos., A-coded, male side

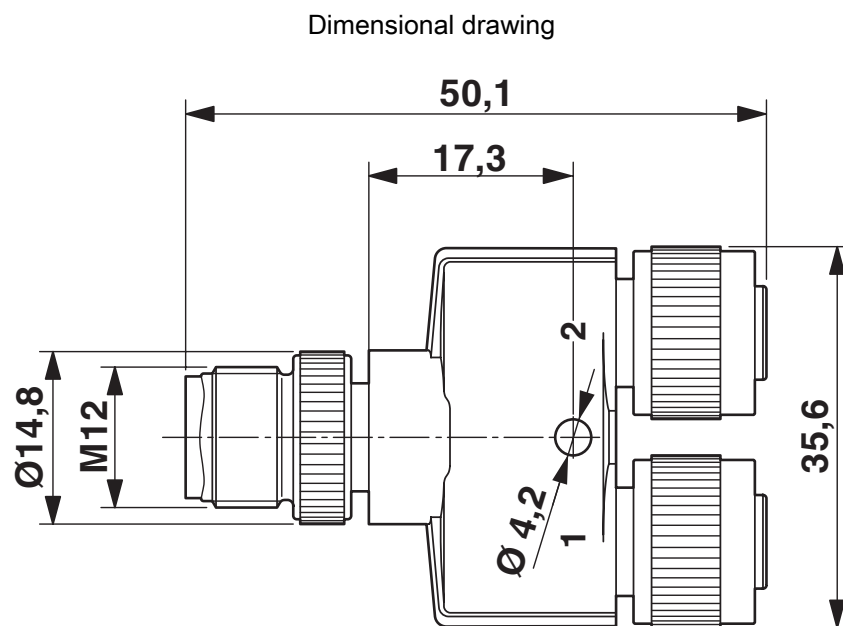
# Y distributor - SAC-5P-M12Y/2XM12FS VP S21

1514029

<https://www.phoenixcontact.com/de/produkte/1514029>



Contact assignment of the M12 Y distributor



Plug M12 x 1, Y distributor, inner gauge of 21 mm

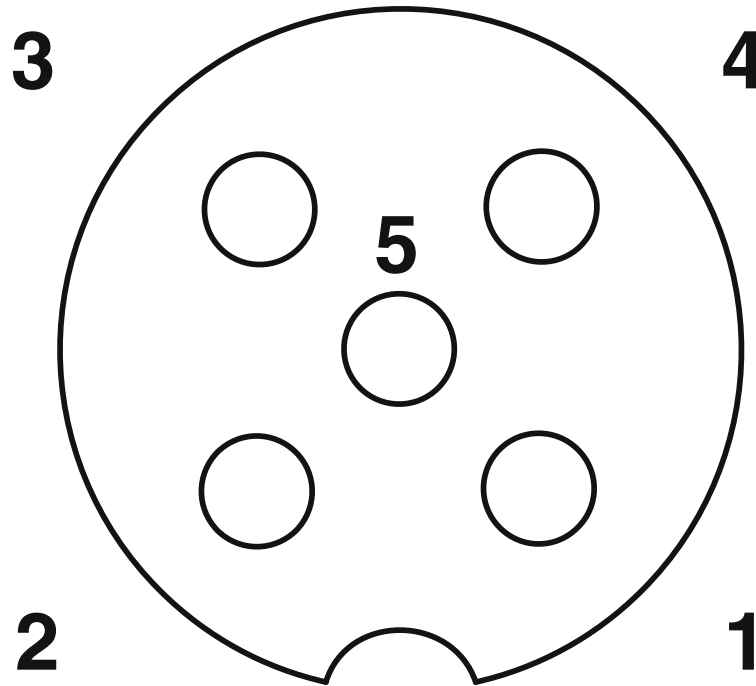
# Y distributor - SAC-5P-M12Y/2XM12FS VP S21

1514029

<https://www.phoenixcontact.com/de/produkte/1514029>



Schematic diagram



Pin assignment M12 socket, 5-pos., A-coded, socket side view

# Y distributor - SAC-5P-M12Y/2XM12FS VP S21



1514029

<https://www.phoenixcontact.com/de/produkte/1514029>

## Approvals



**EAC**

Approval ID: RU C-DE.AI30.B.01102



**EAC**

Approval ID: RU C-DE.BL08.B.00511



**UL Listed**

Approval ID: E221474

	Nominal Voltage $U_N$	Nominal Current $I_N$	Cross Section AWG	Cross Section $\text{mm}^2$
	30 V	4 A	-	-



**cUL Listed**

Approval ID: E221474

	Nominal Voltage $U_N$	Nominal Current $I_N$	Cross Section AWG	Cross Section $\text{mm}^2$
	30 V	4 A	-	-

**cULus Listed**



# Y distributor - SAC-5P-M12Y/2XM12FS VP S21



1514029

<https://www.phoenixcontact.com/de/produkte/1514029>

## Classifications

### ECLASS

ECLASS-9.0	27440106
ECLASS-10.0.1	27440106
ECLASS-11.0	27440106
ECLASS-12.0	27440106

### ETIM

ETIM 8.0	EC002925
----------	----------

### UNSPSC

UNSPSC 21.0	31251500
-------------	----------

# Y distributor - SAC-5P-M12Y/2XM12FS VP S21



1514029

<https://www.phoenixcontact.com/de/produkte/1514029>

## Environmental Product Compliance

REACH SVHC	Lead 7439-92-1
China RoHS	Environmentally friendly use period: unlimited = EFUP-e
	No hazardous substances above threshold values

# Y distributor - SAC-5P-M12Y/2XM12FS VP S21

1514029

<https://www.phoenixcontact.com/de/produkte/1514029>

## Accessories

### Torque screwdriver

Torque screwdriver - TSD 04 SAC - 1208429

<https://www.phoenixcontact.com/de/produkte/1208429>



Torque screwdriver, with preset torque of 0.4 Nm and 4 mm hexagonal drive for M12 connectors

---

### Tool

Tool - SAC BIT M12-D15 - 1208432

<https://www.phoenixcontact.com/de/produkte/1208432>



Nut for assembling sensor/actuator cables with M12 connector and M12 connectors for assembly, with a knurl diameter of 15 mm, for 4 mm hexagonal drive

# Y distributor - SAC-5P-M12Y/2XM12FS VP S21

1514029

<https://www.phoenixcontact.com/de/produkte/1514029>

## Screw plug

Screw plug - PROT-M12 - 1680539

<https://www.phoenixcontact.com/de/produkte/1680539>



An M12 screw plug for the unoccupied M12 sockets of the sensor/actuator cable, boxes and flush-type connectors

---

## Sealing cap

Sealing cap - PROT-M12 FS - 1560251

<https://www.phoenixcontact.com/de/produkte/1560251>



M12 sealing cap for unoccupied M12 plugs of the sensor/actuator cable, flush-type plugs and I/O devices in the field

# Y distributor - SAC-5P-M12Y/2XM12FS VP S21



1514029

<https://www.phoenixcontact.com/de/produkte/1514029>

## Screw plug

Screw plug - PROT-M12 MS-PA-CHAIN - 1430899

<https://www.phoenixcontact.com/de/produkte/1430899>

M12 sealing cap with fixing band, for sensor cables, for free M12 sockets



---

## Sealing cap

Sealing cap - PROT-M12 FS-PA-CHAIN - 1430873

<https://www.phoenixcontact.com/de/produkte/1430873>

M12 sealing cap made of plastic with fixing band, for sensor cables, for free M12 plugs



---

Phoenix Contact 2022 © - all rights reserved  
<https://www.phoenixcontact.com>

PHOENIX CONTACT Deutschland GmbH  
Flachsmarktstraße 8  
D-32825 Blomberg  
+49 52 35/3-1 20 00  
[info@phoenixcontact.de](mailto:info@phoenixcontact.de)