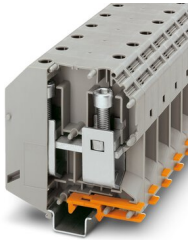


High-current terminal block - UKH 150

3010110

<https://www.phoenixcontact.com/de/produkte/3010110>

Please be informed that the data shown in this PDF document is generated from our Online Catalog. Please find the complete data in the user documentation. Our General Terms of Use for Downloads are valid.



High-current terminal block, nom. voltage: 1000 V, nominal current: 309 A, connection method: Screw connection, Rated cross section: 150 mm², cross section: 35 mm² - 150 mm², mounting type: NS 35/15, NS 32, color: gray

Your advantages

- Reliable cable connection is ensured by three-point centering of the conductor in the prismatic sleeve base
- Screw locking by means of spring-loaded elements in the clamping part
- Low contact resistance of the contact surface due to ribbing

High-current terminal block - UKH 150



3010110

<https://www.phoenixcontact.com/de/produkte/3010110>

Commercial Data

Item number	3010110
Packing unit	3 pc
Minimum order quantity	3 pc
Sales Key	A1 - Reihenklennen
Product Key	BE1311
Catalog Page	Page 197 (C-1-2019)
GTIN	4017918091842
Weight per Piece (including packing)	383,3 g
Weight per Piece (excluding packing)	348,12 g
Customs tariff number	85369010
Country of origin	IN

High-current terminal block - UKH 150



3010110

<https://www.phoenixcontact.com/de/produkte/3010110>

Technical Data

Notes

General

Note	For a reliable contact of multi stranded conductors it is recommended to untwist multi stranded conductors.
------	-------------------------------------------------------------------------------------------------------------

Product properties

Product type	High current terminal block
Number of connections	2
Number of rows	1
Potentials	1

Insulation characteristics

Overvoltage category	III
Degree of pollution	3

Electrical properties

Rated surge voltage	8 kV
Maximum power dissipation for nominal condition	9.55 W

Connection data

Number of connections per level	2
Nominal cross section	150 mm ²

Level 1 above 1 below 1

Screw thread	M10
Note	Screws with hexagonal socket
Tightening torque	25 ... 30 Nm
Stripping length	40 mm
Internal cylindrical gage	B14
Conductor cross section solid	35 mm ² ... 150 mm ²
Cross section AWG	2 ... 300 kcmil
Conductor cross section flexible	50 mm ² ... 150 mm ²
Conductor cross section, flexible [AWG]	1/0 ... 300 kcmil
Flexible conductor cross section flexible (ferrule, w/o plastic sleeve)	50 mm ² ... 150 mm ²
Flexible conductor cross section (ferrule with plastic sleeve)	50 mm ² ... 150 mm ²
Cross-section with insertion bridge, rigid	150 mm ²
Cross-section with insertion bridge, flexible	120 mm ²
2 conductors with same cross section, solid	25 mm ² ... 50 mm ²
2 conductors with same cross section, flexible	35 mm ² ... 50 mm ²
2 conductors with same cross section, flexible, with ferrule without plastic sleeve	25 mm ² ... 50 mm ²
Nominal current	309 A

High-current terminal block - UKH 150

3010110

<https://www.phoenixcontact.com/de/produkte/3010110>

Maximum load current	309 A (with 150 mm ² conductor cross section)
Nominal voltage	1000 V
Note	Note: Product releases, connection cross sections and notes on connecting aluminum cables can be found in the download area.
Nominal cross section	150 mm ²

Ex data

Rated data (ATEX/IECEX)

ATEX certificate	KEMA 99 ATEX 8332 U
IEC Ex certificate	IECEX KEM 06.0030 U
Identification	□ II 2 GD Ex eb IIC Gb
Operating temperature range	-60 °C ... 110 °C
Ex-certified accessories	1201947 VDE-ISS 8 1201659 E/AL-NS 32 1201662 E/AL-NS 35
Bridge data	195.5 A / 150 mm ²
Ex temperature increase	40 K (281.5 A / 150 mm ²)
Rated voltage	1000 V
at bridging with insertion bridge	880 V
Rated insulation voltage	1000 V

Ex level General

Rated current	256 A
Maximum load current	256 A
Contact resistance	0.06 mΩ

Ex connection data General

Torque range	25 Nm ... 30 Nm
Nominal cross section	150 mm ²
Rated cross section AWG	300 kcmil
Connection capacity rigid	35 mm ² ... 150 mm ²
Connection capacity AWG	2 ... 300 kcmil
Connection capacity flexible	50 mm ² ... 150 mm ²
Connection capacity AWG	1/0 ... 300 kcmil
2 conductors with same cross section, solid	25 mm ² ... 50 mm ²
2 conductors with the same cross-section AWG rigid	4 ... 1/0
2 conductors with same cross section, stranded	35 mm ² ... 50 mm ²
2 conductors with the same cross-section AWG flexible	2 ... 1/0

Dimensions

Dimensional drawing	
---------------------	--------------------------------------------------------------------------------------

High-current terminal block - UKH 150



3010110

<https://www.phoenixcontact.com/de/produkte/3010110>

Width	31 mm
Height	107.3 mm
Height NS 35/15	118.5 mm
Height	4.665 "
Height NS 32	116 mm
Length	100 mm

Material specifications

Color	gray
Flammability rating according to UL 94	V0
Insulating material group	I
Insulating material	PA
Static insulating material application in cold	-60 °C
Temperature index of insulation material (DIN EN 60216-1 (VDE 0304-21))	130 °C
Relative insulation material temperature index (Elec., UL 746 B)	130 °C
Fire protection for rail vehicles (DIN EN 45545-2) R22	HL 1 - HL 3
Fire protection for rail vehicles (DIN EN 45545-2) R23	HL 1 - HL 3
Fire protection for rail vehicles (DIN EN 45545-2) R24	HL 1 - HL 3
Fire protection for rail vehicles (DIN EN 45545-2) R26	HL 1 - HL 3
Calorimetric heat release NFPA 130 (ASTM E 1354)	28 MJ/kg
Surface flammability NFPA 130 (ASTM E 162)	passed
Specific optical density of smoke NFPA 130 (ASTM E 662)	passed
Smoke gas toxicity NFPA 130 (SMP 800C)	passed

Electrical tests

Surge voltage test

Result	Test passed
--------	-------------

Temperature-rise test

Requirement temperature-rise test	Increase in temperature \leq 45 K
Result	Test passed
Short-time withstand current 150 mm ²	18 kA
Result	Test passed

Power-frequency withstand voltage

Test voltage setpoint	2.2 kV
Result	Test passed

Mechanical properties

Mechanical data

Open side panel	No
-----------------	----

Mechanical tests

High-current terminal block - UKH 150



3010110

<https://www.phoenixcontact.com/de/produkte/3010110>

Mechanical strength

Result	Test passed
--------	-------------

Attachment on the carrier

DIN rail/fixing support	NS 32/NS 35
Result	Test passed

Test for conductor damage and slackening

Rotation speed	10 (+/- 2) rpm
Revolutions	135
Conductor cross section/weight	35 mm ² / 6.8 kg
	50 mm ² / 9.5 kg
	150 mm ² / 15 kg
Result	Test passed

Environmental and real-life conditions

Needle-flame test

Time of exposure	30 s
Result	Test passed

Oscillation/broadband noise

Specification	DIN EN 50155 (VDE 0115-200):2018-05
Spectrum	Service life test category 2, bogie-mounted
Frequency	$f_1 = 5 \text{ Hz}$ to $f_2 = 250 \text{ Hz}$
ASD level	6.12 (m/s ²) ² /Hz
Acceleration	3.12g
Test duration per axis	5 h
Test directions	X-, Y- and Z-axis
Result	Test passed

Shocks

Specification	DIN EN 50155 (VDE 0115-200):2018-05
Pulse shape	Half-sine
Acceleration	30g
Shock duration	18 ms
Number of shocks per direction	3
Test directions	X-, Y- and Z-axis (pos. and neg.)
Result	Test passed

Ambient conditions

Ambient temperature (operation)	-60 °C ... 105 °C (max. short-term operating temperature RTI Elec.)
Ambient temperature (storage/transport)	-25 °C ... 60 °C (for a short time, not exceeding 24 h, -60 °C to +70 °C)
Ambient temperature (assembly)	-5 °C ... 70 °C
Ambient temperature (actuation)	-5 °C ... 70 °C

High-current terminal block - UKH 150



3010110

<https://www.phoenixcontact.com/de/produkte/3010110>

Permissible humidity (storage/transport)	30 % ... 70 %
------------------------------------------	---------------

Standards and regulations

Connection in acc. with standard	IEC 60947-7-1
----------------------------------	---------------

Mounting

Mounting type	NS 35/15
	NS 32

High-current terminal block - UKH 150

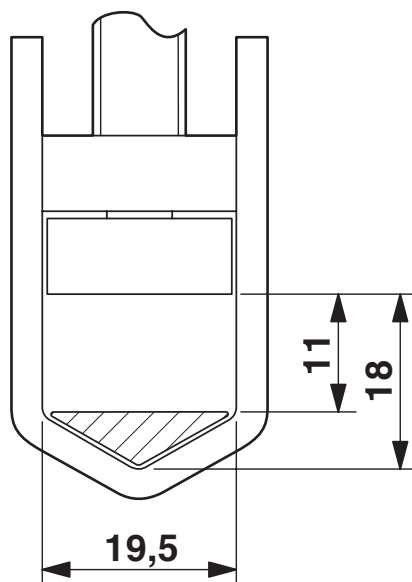
3010110

<https://www.phoenixcontact.com/de/produkte/3010110>



Drawings

Dimensional drawing



Circuit diagram

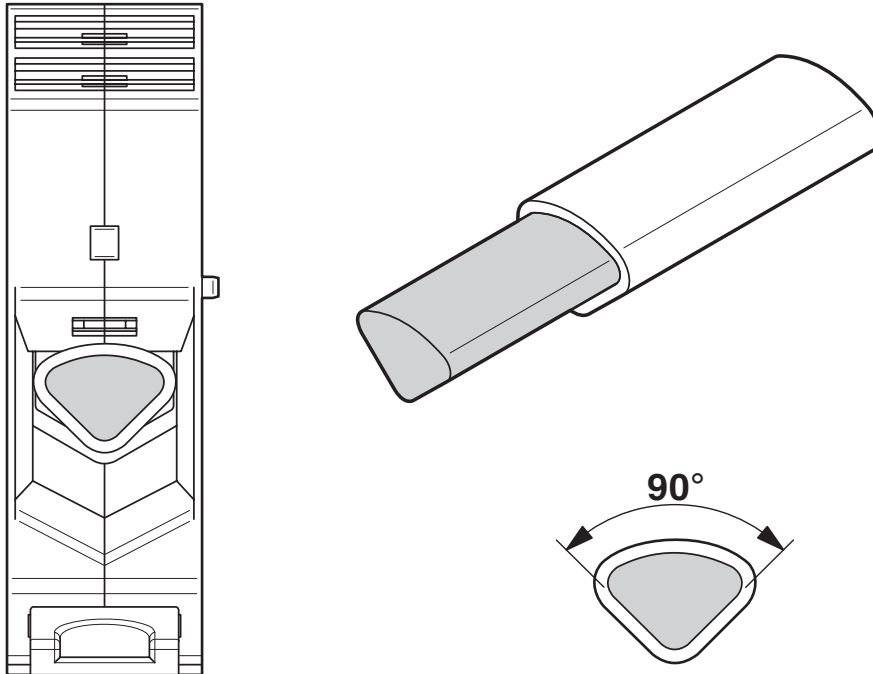


High-current terminal block - UKH 150

3010110

<https://www.phoenixcontact.com/de/produkte/3010110>

Schematic diagram



Connecting aluminum cables. Further notes can be found in the download area

High-current terminal block - UKH 150



3010110

<https://www.phoenixcontact.com/de/produkte/3010110>

Approvals

DNV Approval ID: TAE00001CT				
	Nominal Voltage U_N	Nominal Current I_N	Cross Section AWG	Cross Section mm^2
			-	-

CSA Approval ID: 13631				
	Nominal Voltage U_N	Nominal Current I_N	Cross Section AWG	Cross Section mm^2
Use group B	600 V	275 A	2 - 300	-
Use group C	600 V	275 A	2 - 300	-

EAC Approval ID: RU C-DE.AI30.B.01102				
-------------------------------------------------	--	--	--	--

cULus Recognized Approval ID: E60425				
	Nominal Voltage U_N	Nominal Current I_N	Cross Section AWG	Cross Section mm^2
Use group B	600 V	285 A	2 - 300	-
Multi-conductor connection	600 V	285 A	4 - 1/0	-
Use group C	600 V	285 A	2 - 300	-
Multi-conductor connection	600 V	285 A	4 - 1/0	-

RS Approval ID: 17.00013.272				
----------------------------------------	--	--	--	--

EAC Approval ID: RU C-DE.BL08.B.00534				
-------------------------------------------------	--	--	--	--

PRS Approval ID: TE/2156/880590/17				
----------------------------------------------	--	--	--	--

High-current terminal block - UKH 150



3010110

<https://www.phoenixcontact.com/de/produkte/3010110>



ATEX

Approval ID: KEMA99ATEX8332U



cUL Recognized

Approval ID: E192998

	Nominal Voltage U_N	Nominal Current I_N	Cross Section AWG	Cross Section mm^2
	600 V	285 A	2 - 300	-



EAC Ex

Approval ID: RU C-DE.HA91.B.00066



IECEx

Approval ID: IECEx KEM 06.0030U



UL Recognized

Approval ID: E192998

	Nominal Voltage U_N	Nominal Current I_N	Cross Section AWG	Cross Section mm^2
	600 V	285 A	2 - 300	-



CCC

Approval ID: 2020322313000623



NEPSI

Approval ID: GYJ20.1195U

cULus Recognized

High-current terminal block - UKH 150



3010110

<https://www.phoenixcontact.com/de/produkte/3010110>

Classifications

ECLASS

ECLASS-9.0	27141120
ECLASS-10.0.1	27141120
ECLASS-11.0	27141120

ETIM

ETIM 8.0	EC000897
----------	----------

UNSPSC

UNSPSC 21.0	39121400
-------------	----------

High-current terminal block - UKH 150



3010110

<https://www.phoenixcontact.com/de/produkte/3010110>

Environmental Product Compliance


China RoHS	Environmentally friendly use period: unlimited = EFUP-e
	No hazardous substances above threshold values

High-current terminal block - UKH 150

3010110

<https://www.phoenixcontact.com/de/produkte/3010110>

Accessories

 Note: Applying some accessories below might limit this product.


Insertion bridge

Insertion bridge - EB 3-31/UKH - 0201391

<https://www.phoenixcontact.com/de/produkte/0201391>



Insertion bridge, pitch: 31 mm, color: gray

 Max. current carrying capacity: 232 A


Insertion bridge

Insertion bridge - EB 2-31/UKH - 0201388

<https://www.phoenixcontact.com/de/produkte/0201388>



Insertion bridge, pitch: 31 mm, color: gray

 Max. current carrying capacity: 232 A

High-current terminal block - UKH 150

3010110

<https://www.phoenixcontact.com/de/produkte/3010110>

Warning label

Warning label - WS-2K - 1004513

<https://www.phoenixcontact.com/de/produkte/1004513>

Adhesive warning plate, self-adhesive, black print: lightning flash with mixed version - "Vorsicht Spannung - Attention Danger" size of label: 32 x 26 mm



DIN rail perforated

DIN rail perforated - NS 32 PERF 2000MM-VPE 10 - 1201002

<https://www.phoenixcontact.com/de/produkte/1201002>

DIN rail perforated, acc. to EN 60715, material: Steel, galvanized, passivated with a thick layer, G profile, color: silver, Pack of 10 (20 m)



High-current terminal block - UKH 150

3010110

<https://www.phoenixcontact.com/de/produkte/3010110>



Insertion profile

Insertion profile - UKH 150/240 EP - 3009244

<https://www.phoenixcontact.com/de/produkte/3009244>

Insertion profile, color: silver



DIN rail, unperforated

DIN rail, unperforated - NS 32 UNPERF 2000MM-VPE 10 - 1201015

<https://www.phoenixcontact.com/de/produkte/1201015>

DIN rail, unperforated, acc. to EN 60715, material: Steel, galvanized, passivated with a thick layer, G profile, color: silver, Pack of 10 (20 m)



High-current terminal block - UKH 150

3010110

<https://www.phoenixcontact.com/de/produkte/3010110>

Pick-off terminal block

Pick-off terminal block - AGK 10-UKH 150/240 - 3003554

<https://www.phoenixcontact.com/de/produkte/3003554>



Pick-off terminal block, Can only be used in conjunction with UKH 150/240, nom. voltage: 1000 V, nominal current: 57 A, connection method: Screw connection, Rated cross section: 10 mm², cross section: 0.5 mm² - 10 mm², mounting type: on base element, color: gray

DIN rail perforated

DIN rail perforated - NS 35/15 PERF 2000MM - 1201730

<https://www.phoenixcontact.com/de/produkte/1201730>



DIN rail perforated, similar to EN 60715, material: Steel, galvanized, passivated with a thick layer, Standard profile, color: silver, Pack of 25 (50 m)

High-current terminal block - UKH 150

3010110

<https://www.phoenixcontact.com/de/produkte/3010110>



Screwdriver

Screwdriver - SF-THEX 8-200 - 1212643

<https://www.phoenixcontact.com/de/produkte/1212643>



T-handle screwdriver, for Allen screws, hexagonal (with chamfer), size: hex 8 x 200 mm, ergonomically shaped handle, matt chrome-plated

DIN rail, unperforated

DIN rail, unperforated - NS 35/15 UNPERF 2000MM - 1201714

<https://www.phoenixcontact.com/de/produkte/1201714>



DIN rail, unperforated, similar to EN 60715, material: Steel, galvanized, passivated with a thick layer, Standard profile, color: silver, Pack of 25 (50 m)

High-current terminal block - UKH 150

3010110

<https://www.phoenixcontact.com/de/produkte/3010110>



DIN rail perforated

DIN rail perforated - NS 35/15 WH PERF 2000MM - 0806602

<https://www.phoenixcontact.com/de/produkte/0806602>



DIN rail perforated, similar to EN 60715, material: Steel, Galvanized, white passivated, Standard profile, color: white, Pack of 25 (50 m)

DIN rail, unperforated

DIN rail, unperforated - NS 35/15 WH UNPERF 2000MM-VPE 10 - 1204135

<https://www.phoenixcontact.com/de/produkte/1204135>



DIN rail, unperforated, similar to EN 60715, material: Steel, Galvanized, white passivated, Standard profile, color: silver, Pack of 10 (20 m)

High-current terminal block - UKH 150

3010110

<https://www.phoenixcontact.com/de/produkte/3010110>

DIN rail, unperforated

DIN rail, unperforated - NS 35/15 AL UNPERF 2000MM - 1201756

<https://www.phoenixcontact.com/de/produkte/1201756>



DIN rail, unperforated, similar to EN 60715, material: Aluminum, uncoated, Standard profile, color: silver

DIN rail perforated

DIN rail perforated - NS 35/15 ZN PERF 2000MM - 1206599

<https://www.phoenixcontact.com/de/produkte/1206599>



DIN rail perforated, similar to EN 60715, material: Steel, galvanized, Standard profile, color: silver, Pack of 25 (50 m)

High-current terminal block - UKH 150

3010110

<https://www.phoenixcontact.com/de/produkte/3010110>

DIN rail, unperforated

DIN rail, unperforated - NS 35/15 ZN UNPERF 2000MM - 1206586

<https://www.phoenixcontact.com/de/produkte/1206586>



DIN rail, unperforated, similar to EN 60715, material: Steel, galvanized, Standard profile, color: silver, Pack of 25 (50 m)

DIN rail, unperforated

DIN rail, unperforated - NS 35/15 CU UNPERF 2000MM-VPE 10 - 1201895

<https://www.phoenixcontact.com/de/produkte/1201895>



DIN rail, unperforated, similar to EN 60715, material: Copper, uncoated, Standard profile, color: copper-colored, Pack of 10 (20 m)

High-current terminal block - UKH 150

3010110

<https://www.phoenixcontact.com/de/produkte/3010110>

End cap

End cap - NS 35/15 CAP - 1206573

<https://www.phoenixcontact.com/de/produkte/1206573>

DIN rail end piece, for DIN rail NS 35/15



Zack marker strip

Zack marker strip - ZB 22:UNBEDRUCKT - 0811862

<https://www.phoenixcontact.com/de/produkte/0811862>



Zack marker strip, Strip, white, unlabeled, can be labeled with: PLOTMARK, CMS-P1-PLOTTER, mounting type: snapped, for terminal block width: 22 mm, lettering field size: 10.5 x 21.8 mm, Number of individual labels: 4

High-current terminal block - UKH 150

3010110

<https://www.phoenixcontact.com/de/produkte/3010110>

Zack marker strip

Zack marker strip - ZB 22 CUS - 0824949

<https://www.phoenixcontact.com/de/produkte/0824949>



Zack marker strip, can be ordered: Strip, white, labeled according to customer specifications, mounting type: snap into tall marker groove, for terminal block width: 22 mm, lettering field size: 10.5 x 21.8 mm, Number of individual labels: 4

Zack marker strip

Zack marker strip - ZB 22,LGS:L1-N,PE - 0811875

<https://www.phoenixcontact.com/de/produkte/0811875>



Zack marker strip, Strip, white, labeled, printed horizontally: L1, L2, L3, N, PE, mounting type: snapped, for terminal block width: 22 mm, lettering field size: 10.5 x 21.8 mm, Number of individual labels: 50

High-current terminal block - UKH 150

3010110

<https://www.phoenixcontact.com/de/produkte/3010110>

Zack marker strip

Zack marker strip - ZB 25:UNPRINTED - 0802751

<https://www.phoenixcontact.com/de/produkte/0802751>



Zack marker strip, Strip, white, unlabeled, can be labeled with: PLOTMARK, CMS-P1-PLOTTER, Marker pen, mounting type: snapped, for terminal block width: 25 mm, lettering field size: 25 x 10 mm, Number of individual labels: 4

Zack marker strip

Zack marker strip - ZB 25 CUS - 0802752

<https://www.phoenixcontact.com/de/produkte/0802752>



Zack marker strip, can be ordered: Strip, white, labeled according to customer specifications, mounting type: snap into tall marker groove, for terminal block width: 25 mm, lettering field size: 25 x 10 mm, Number of individual labels: 4

High-current terminal block - UKH 150

3010110

<https://www.phoenixcontact.com/de/produkte/3010110>

Marker for terminal blocks

Marker for terminal blocks - TMT 10 R - 0816210

<https://www.phoenixcontact.com/de/produkte/0816210>



Marker for terminal blocks, Roll, white, unlabeled, can be labeled with: THERMOMARK ROLL 2.0, THERMOMARK ROLL, THERMOMARK ROLL X1, THERMOMARK ROLLMASTER 300/600, THERMOMARK X1.2, THERMOMARK S1.1, perforated, mounting type: snapped, snap into flat marker groove, for terminal block width: 10.2 mm, lettering field size: 6.35 x 10.15 mm, Number of individual labels: 10000

Marker for terminal blocks

Marker for terminal blocks - TMT 10 R CUS - 0824500

<https://www.phoenixcontact.com/de/produkte/0824500>



Marker for terminal blocks, can be ordered: by line, white, labeled according to customer specifications, mounting type: snap into universal marker groove, snap into flat marker groove, for terminal block width: 10.2 mm, lettering field size: 6.35 x 10.15 mm

High-current terminal block - UKH 150

3010110

<https://www.phoenixcontact.com/de/produkte/3010110>

End clamp

End clamp - E/AL-NS 32 - 1201659

<https://www.phoenixcontact.com/de/produkte/1201659>



End clamp, for end support of UKH 50 - UKH 240, is pushed onto DIN rail NS 32 and fixed with 2 screws, width: 10 mm, color: Aluminum

End clamp

End clamp - E/AL-NS 35 - 1201662

<https://www.phoenixcontact.com/de/produkte/1201662>



End clamp, for end support of UKH 50 to UKH 240, is pushed onto DIN rail NS 35 and fixed with 2 screws, width: 10 mm, color: aluminum

Phoenix Contact 2022 © - all rights reserved
<https://www.phoenixcontact.com>

PHOENIX CONTACT Deutschland GmbH
Flachsmarktstraße 8
D-32825 Blomberg
+49 52 35/3-1 20 00
info@phoenixcontact.de