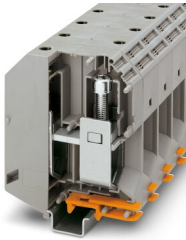


High-current terminal block - UKH 240

3010217

<https://www.phoenixcontact.com/de/produkte/3010217>

Please be informed that the data shown in this PDF document is generated from our Online Catalog. Please find the complete data in the user documentation. Our General Terms of Use for Downloads are valid.



High-current terminal block, nom. voltage: 1000 V, nominal current: 415 A, connection method: Screw connection, Rated cross section: 240 mm², cross section: 70 mm² - 240 mm², mounting type: NS 35/15, NS 32, color: gray

Your advantages

- Reliable cable connection is ensured by three-point centering of the conductor in the prismatic sleeve base
- Low contact resistance of the contact surface due to ribbing
- Screw locking by means of spring-loaded elements in the clamping part

High-current terminal block - UKH 240



3010217

<https://www.phoenixcontact.com/de/produkte/3010217>

Commercial Data

Item number	3010217
Packing unit	3 pc
Minimum order quantity	1 pc
Sales Key	A1 - Reihenklennen
Product Key	BE1311
Catalog Page	Page 199 (C-1-2019)
GTIN	4017918091873
Weight per Piece (including packing)	487,667 g
Weight per Piece (excluding packing)	476 g
Customs tariff number	85369010
Country of origin	IN

Technical Data

Notes

General

Note	For a reliable contact of multi stranded conductors it is recommended to untwist multi stranded conductors.
------	---

Product properties

Product type	High current terminal block
Number of connections	2
Number of rows	1
Potentials	1

Insulation characteristics

Overvoltage category	III
Degree of pollution	3

Electrical properties

Rated surge voltage	8 kV
Maximum power dissipation for nominal condition	13.78 W

Connection data

Number of connections per level	2
Nominal cross section	240 mm ²

Level 1 above 1 below 1

Screw thread	M10
Note	Screws with hexagonal socket
Tightening torque	25 ... 30 Nm
Stripping length	40 mm
Internal cylindrical gage	B15
Conductor cross section solid	70 mm ² ... 240 mm ²
Cross section AWG	2/0 ... 500 kcmil
Conductor cross section flexible	70 mm ² ... 240 mm ²
Conductor cross section, flexible [AWG]	2/0 ... 500 kcmil
Flexible conductor cross section flexible (ferrule, w/o plastic sleeve)	70 mm ² ... 185 mm ²
Flexible conductor cross section (ferrule with plastic sleeve)	70 mm ² ... 185 mm ²
Cross-section with insertion bridge, rigid	240 mm ²
Cross-section with insertion bridge, flexible	185 mm ²
2 conductors with same cross section, solid	35 mm ² ... 95 mm ²
2 conductors with same cross section, flexible	50 mm ² ... 95 mm ²
2 conductors with same cross section, flexible, with ferrule without plastic sleeve	35 mm ² ... 50 mm ²
Nominal current	415 A

High-current terminal block - UKH 240



3010217

<https://www.phoenixcontact.com/de/produkte/3010217>

Maximum load current	415 A (with 240 mm ² conductor cross section)
Nominal voltage	1000 V
Note	Note: Product releases, connection cross sections and notes on connecting aluminum cables can be found in the download area.
Nominal cross section	240 mm ²

Ex data

Rated data (ATEX/IECEX)

ATEX certificate	KEMA 99 ATEX 8332 U
IEC Ex certificate	IECEX KEM 06.0030 U
Identification	□ II 2 GD Ex eb IIC Gb
Operating temperature range	-60 °C ... 110 °C
Ex-certified accessories	1201947 VDE-ISS 8 1201659 E/AL-NS 32 1201662 E/AL-NS 35
Bridge data	270 A / 240 mm ²
Ex temperature increase	40 K (389 A / 240 mm ²)
Rated voltage	1000 V
at bridging with insertion bridge	690 V
Rated insulation voltage	1000 V

Ex level General

Rated current	350 A
Maximum load current	350 A
Contact resistance	0.03 mΩ

Ex connection data General

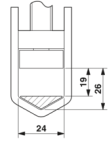
Stripping length	40 mm
Torque range	25 Nm ... 30 Nm
Nominal cross section	240 mm ²
Rated cross section AWG	500 kcmil
Connection capacity rigid	70 mm ² ... 240 mm ²
Connection capacity AWG	2/0 ... 500 kcmil
Connection capacity flexible	70 mm ² ... 240 mm ²
Connection capacity AWG	2/0 ... 500 kcmil
2 conductors with same cross section, solid	35 mm ² ... 95 mm ²
2 conductors with the same cross-section AWG rigid	2 ... 3/0
2 conductors with same cross section, stranded	50 mm ² ... 95 mm ²
2 conductors with the same cross-section AWG flexible	1/0 ... 3/0

Dimensions

High-current terminal block - UKH 240

3010217

<https://www.phoenixcontact.com/de/produkte/3010217>

Dimensional drawing	
Width	36 mm
Height	123.6 mm
Height NS 35/15	131.5 mm
Height	5.177 "
Height NS 32	129 mm
Length	100 mm

Material specifications

Color	gray
Flammability rating according to UL 94	V0
Insulating material group	I
Insulating material	PA
Static insulating material application in cold	-60 °C
Temperature index of insulation material (DIN EN 60216-1 (VDE 0304-21))	130 °C
Relative insulation material temperature index (Elec., UL 746 B)	130 °C
Fire protection for rail vehicles (DIN EN 45545-2) R22	HL 1 - HL 3
Fire protection for rail vehicles (DIN EN 45545-2) R23	HL 1 - HL 3
Fire protection for rail vehicles (DIN EN 45545-2) R24	HL 1 - HL 3
Fire protection for rail vehicles (DIN EN 45545-2) R26	HL 1 - HL 3
Calorimetric heat release NFPA 130 (ASTM E 1354)	28 MJ/kg
Surface flammability NFPA 130 (ASTM E 162)	passed
Specific optical density of smoke NFPA 130 (ASTM E 662)	passed
Smoke gas toxicity NFPA 130 (SMP 800C)	passed

Electrical tests

Surge voltage test

Result	Test passed
Short-time withstand current 240 mm ²	28.8 kA
Result	Test passed

Power-frequency withstand voltage

Test voltage setpoint	2.2 kV
Result	Test passed

Mechanical properties

Mechanical data

Open side panel	No
-----------------	----

High-current terminal block - UKH 240



3010217

<https://www.phoenixcontact.com/de/produkte/3010217>

Mechanical tests

Mechanical strength

Result	Test passed
--------	-------------

Attachment on the carrier

DIN rail/fixing support	NS 32/NS 35
Result	Test passed

Test for conductor damage and slackening

Rotation speed	10 rpm
Revolutions	135
Conductor cross section/weight	70 mm ² /10.4 kg
	240 mm ² /20.0 kg
Result	Test passed

Environmental and real-life conditions

Needle-flame test

Time of exposure	30 s
Result	Test passed

Ambient conditions

Ambient temperature (operation)	-60 °C ... 105 °C (max. short-term operating temperature RTI Elec.)
Ambient temperature (storage/transport)	-25 °C ... 60 °C (for a short time, not exceeding 24 h, -60 °C to +70 °C)
Ambient temperature (assembly)	-5 °C ... 70 °C
Ambient temperature (actuation)	-5 °C ... 70 °C
Permissible humidity (storage/transport)	30 % ... 70 %

Standards and regulations

Connection in acc. with standard	IEC 60947-7-1
----------------------------------	---------------

Mounting

Mounting type	NS 35/15
	NS 32

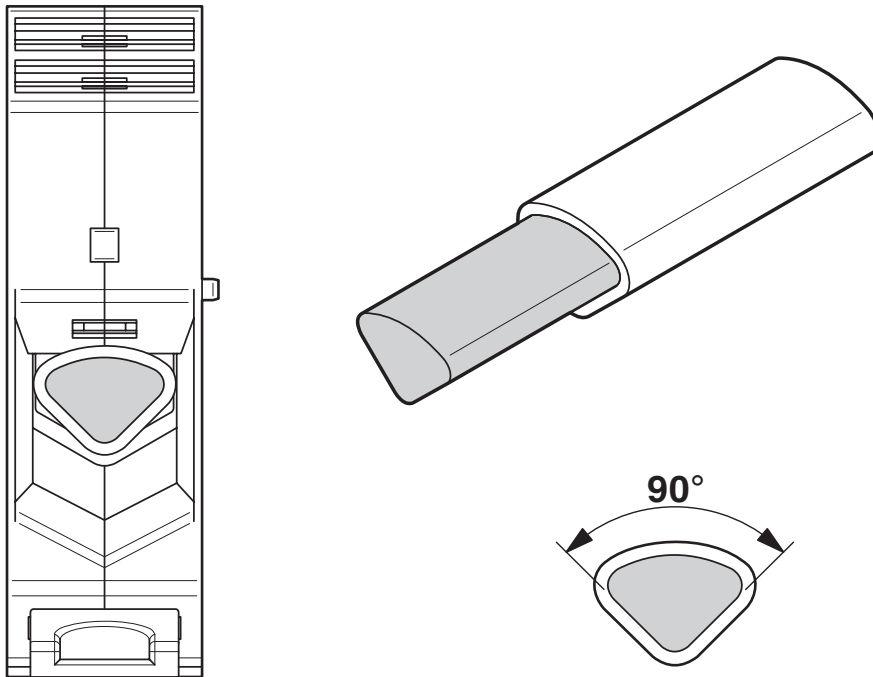
High-current terminal block - UKH 240

3010217

<https://www.phoenixcontact.com/de/produkte/3010217>

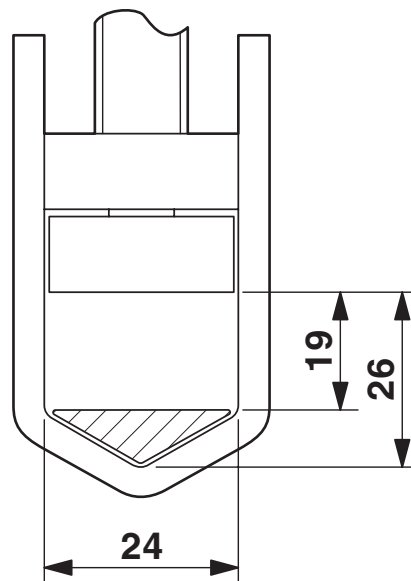
Drawings

Schematic diagram



Connecting aluminum cables. Further notes can be found in the download area

Dimensional drawing



High-current terminal block - UKH 240

3010217

<https://www.phoenixcontact.com/de/produkte/3010217>



Circuit diagram



High-current terminal block - UKH 240



3010217

<https://www.phoenixcontact.com/de/produkte/3010217>

Approvals

DNV Approval ID: TAE00001CT				
	Nominal Voltage U_N	Nominal Current I_N	Cross Section AWG	Cross Section mm^2
			-	-

CSA Approval ID: 13631				
	Nominal Voltage U_N	Nominal Current I_N	Cross Section AWG	Cross Section mm^2
Use group B	600 V	400 A	1/0 - 500	-
Use group C	600 V	400 A	1/0 - 500	-

EAC Approval ID: RU C-DE.BL08.B.00534				
--	--	--	--	--

cULus Recognized Approval ID: E60425				
	Nominal Voltage U_N	Nominal Current I_N	Cross Section AWG	Cross Section mm^2
Use group B	600 V	380 A	2/0 - 500	-
Multi-conductor connection	600 V	380 A	2 - 3/0	-
Use group C	600 V	380 A	2/0 - 500	-
Multi-conductor connection	600 V	380 A	2 - 3/0	-

LR Approval ID: LR2041789TA				
--------------------------------	--	--	--	--

RS Approval ID: 17.00013.272				
---------------------------------	--	--	--	--


PRS Approval ID: TE/2156/880590/17				
---------------------------------------	--	--	--	--


High-current terminal block - UKH 240




3010217


<https://www.phoenixcontact.com/de/produkte/3010217>


 ATEX Approval ID: KEMA99ATEX8332U	Nominal Voltage U_N	Nominal Current I_N	Cross Section AWG	Cross Section mm^2
Type examination certificate	1100 V	350 A	-	70 - 240


 cUL Recognized Approval ID: E192998	Nominal Voltage U_N	Nominal Current I_N	Cross Section AWG	Cross Section mm^2
	600 V	380 A	2/0 - 500	-

 EAC Ex Approval ID: RU C-DE.HA91.B.00066
--

 IECEx Approval ID: IECEx KEM 06.0030U	Nominal Voltage U_N	Nominal Current I_N	Cross Section AWG	Cross Section mm^2
	1100 V	350 A	-	70 - 240

 UL Recognized Approval ID: E192998	Nominal Voltage U_N	Nominal Current I_N	Cross Section AWG	Cross Section mm^2
	600 V	380 A	2/0 - 500	-

 CCC Approval ID: 2020322313000623

 NEPSI Approval ID: GYJ20.1195U
--

cULus Recognized

High-current terminal block - UKH 240



3010217

<https://www.phoenixcontact.com/de/produkte/3010217>

Classifications

ECLASS

ECLASS-9.0	27141120
ECLASS-10.0.1	27141120
ECLASS-11.0	27141120

ETIM

ETIM 8.0	EC000897
----------	----------

UNSPSC

UNSPSC 21.0	39121400
-------------	----------

High-current terminal block - UKH 240



3010217

<https://www.phoenixcontact.com/de/produkte/3010217>

Environmental Product Compliance

China RoHS	Environmentally Friendly Use Period = 50 years For information on hazardous substances, refer to the manufacturer's declaration available under "Downloads"
------------	--

High-current terminal block - UKH 240

3010217

<https://www.phoenixcontact.com/de/produkte/3010217>

Accessories

 Note: Applying some accessories below might limit this product.


Insertion bridge

Insertion bridge - EB 3-36/UKH - 0201414

<https://www.phoenixcontact.com/de/produkte/0201414>



Insertion bridge, pitch: 36 mm, color: gray

 Max. current carrying capacity: 320 A

Insertion bridge

Insertion bridge - EB 2-36/UKH - 0201401

<https://www.phoenixcontact.com/de/produkte/0201401>



Insertion bridge, pitch: 36 mm, color: gray

 Max. current carrying capacity: 320 A

High-current terminal block - UKH 240

3010217

<https://www.phoenixcontact.com/de/produkte/3010217>

Warning label

Warning label - WS-2K - 1004513

<https://www.phoenixcontact.com/de/produkte/1004513>

Adhesive warning plate, self-adhesive, black print: lightning flash with mixed version - "Vorsicht Spannung - Attention Danger" size of label: 32 x 26 mm



DIN rail perforated

DIN rail perforated - NS 32 PERF 2000MM-VPE 10 - 1201002

<https://www.phoenixcontact.com/de/produkte/1201002>

DIN rail perforated, acc. to EN 60715, material: Steel, galvanized, passivated with a thick layer, G profile, color: silver, Pack of 10 (20 m)



High-current terminal block - UKH 240

3010217

<https://www.phoenixcontact.com/de/produkte/3010217>



Insertion profile

Insertion profile - UKH 150/240 EP - 3009244

<https://www.phoenixcontact.com/de/produkte/3009244>

Insertion profile, color: silver



DIN rail, unperforated

DIN rail, unperforated - NS 32 UNPERF 2000MM-VPE 10 - 1201015

<https://www.phoenixcontact.com/de/produkte/1201015>

DIN rail, unperforated, acc. to EN 60715, material: Steel, galvanized, passivated with a thick layer, G profile, color: silver, Pack of 10 (20 m)



High-current terminal block - UKH 240

3010217

<https://www.phoenixcontact.com/de/produkte/3010217>

Pick-off terminal block

Pick-off terminal block - AGK 10-UKH 150/240 - 3003554

<https://www.phoenixcontact.com/de/produkte/3003554>



Pick-off terminal block, Can only be used in conjunction with UKH 150/240, nom. voltage: 1000 V, nominal current: 57 A, connection method: Screw connection, Rated cross section: 10 mm², cross section: 0.5 mm² - 10 mm², mounting type: on base element, color: gray

DIN rail perforated

DIN rail perforated - NS 35/15 PERF 2000MM - 1201730

<https://www.phoenixcontact.com/de/produkte/1201730>



DIN rail perforated, similar to EN 60715, material: Steel, galvanized, passivated with a thick layer, Standard profile, color: silver, Pack of 25 (50 m)

High-current terminal block - UKH 240

3010217

<https://www.phoenixcontact.com/de/produkte/3010217>

Screwdriver

Screwdriver - SF-THEX 8-200 - 1212643

<https://www.phoenixcontact.com/de/produkte/1212643>



T-handle screwdriver, for Allen screws, hexagonal (with chamfer), size: hex 8 x 200 mm, ergonomically shaped handle, matt chrome-plated

DIN rail, unperforated

DIN rail, unperforated - NS 35/15 UNPERF 2000MM - 1201714

<https://www.phoenixcontact.com/de/produkte/1201714>



DIN rail, unperforated, similar to EN 60715, material: Steel, galvanized, passivated with a thick layer, Standard profile, color: silver, Pack of 25 (50 m)

High-current terminal block - UKH 240

3010217

<https://www.phoenixcontact.com/de/produkte/3010217>

DIN rail perforated

DIN rail perforated - NS 35/15 WH PERF 2000MM - 0806602

<https://www.phoenixcontact.com/de/produkte/0806602>



DIN rail perforated, similar to EN 60715, material: Steel, Galvanized, white passivated, Standard profile, color: white, Pack of 25 (50 m)

DIN rail, unperforated

DIN rail, unperforated - NS 35/15 WH UNPERF 2000MM-VPE 10 - 1204135

<https://www.phoenixcontact.com/de/produkte/1204135>



DIN rail, unperforated, similar to EN 60715, material: Steel, Galvanized, white passivated, Standard profile, color: silver, Pack of 10 (20 m)

High-current terminal block - UKH 240

3010217

<https://www.phoenixcontact.com/de/produkte/3010217>

DIN rail, unperforated

DIN rail, unperforated - NS 35/15 AL UNPERF 2000MM - 1201756

<https://www.phoenixcontact.com/de/produkte/1201756>



DIN rail, unperforated, similar to EN 60715, material: Aluminum, uncoated, Standard profile, color: silver

DIN rail perforated

DIN rail perforated - NS 35/15 ZN PERF 2000MM - 1206599

<https://www.phoenixcontact.com/de/produkte/1206599>



DIN rail perforated, similar to EN 60715, material: Steel, galvanized, Standard profile, color: silver, Pack of 25 (50 m)

High-current terminal block - UKH 240

3010217

<https://www.phoenixcontact.com/de/produkte/3010217>

DIN rail, unperforated

DIN rail, unperforated - NS 35/15 ZN UNPERF 2000MM - 1206586

<https://www.phoenixcontact.com/de/produkte/1206586>



DIN rail, unperforated, similar to EN 60715, material: Steel, galvanized, Standard profile, color: silver, Pack of 25 (50 m)

DIN rail, unperforated

DIN rail, unperforated - NS 35/15 CU UNPERF 2000MM-VPE 10 - 1201895

<https://www.phoenixcontact.com/de/produkte/1201895>



DIN rail, unperforated, similar to EN 60715, material: Copper, uncoated, Standard profile, color: copper-colored, Pack of 10 (20 m)

High-current terminal block - UKH 240

3010217

<https://www.phoenixcontact.com/de/produkte/3010217>

End cap

End cap - NS 35/15 CAP - 1206573

<https://www.phoenixcontact.com/de/produkte/1206573>

DIN rail end piece, for DIN rail NS 35/15



Zack marker strip

Zack marker strip - ZB 22:UNBEDRUCKT - 0811862

<https://www.phoenixcontact.com/de/produkte/0811862>



Zack marker strip, Strip, white, unlabeled, can be labeled with: PLOTMARK, CMS-P1-PLOTTER, mounting type: snapped, for terminal block width: 22 mm, lettering field size: 10.5 x 21.8 mm, Number of individual labels: 4

High-current terminal block - UKH 240

3010217

<https://www.phoenixcontact.com/de/produkte/3010217>

Zack marker strip

Zack marker strip - ZB 22 CUS - 0824949

<https://www.phoenixcontact.com/de/produkte/0824949>



Zack marker strip, can be ordered: Strip, white, labeled according to customer specifications, mounting type: snap into tall marker groove, for terminal block width: 22 mm, lettering field size: 10.5 x 21.8 mm, Number of individual labels: 4

Zack marker strip

Zack marker strip - ZB 22,LGS:L1-N,PE - 0811875

<https://www.phoenixcontact.com/de/produkte/0811875>



Zack marker strip, Strip, white, labeled, printed horizontally: L1, L2, L3, N, PE, mounting type: snapped, for terminal block width: 22 mm, lettering field size: 10.5 x 21.8 mm, Number of individual labels: 50

High-current terminal block - UKH 240

3010217

<https://www.phoenixcontact.com/de/produkte/3010217>

End clamp

End clamp - E/AL-NS 32 - 1201659

<https://www.phoenixcontact.com/de/produkte/1201659>



End clamp, for end support of UKH 50 - UKH 240, is pushed onto DIN rail NS 32 and fixed with 2 screws, width: 10 mm, color: Aluminum

End clamp

End clamp - E/AL-NS 35 - 1201662

<https://www.phoenixcontact.com/de/produkte/1201662>



End clamp, for end support of UKH 50 to UKH 240, is pushed onto DIN rail NS 35 and fixed with 2 screws, width: 10 mm, color: aluminum

Phoenix Contact 2022 © - all rights reserved
<https://www.phoenixcontact.com>

PHOENIX CONTACT Deutschland GmbH
Flachsmarktstraße 8
D-32825 Blomberg
+49 52 35/3-1 20 00
info@phoenixcontact.de