

Connector - SACC-M 8FS-4CON-M-SW



1506891

<https://www.phoenixcontact.com/pc/products/1506891>

Please be informed that the data shown in this PDF document is generated from our Online Catalog. Please find the complete data in the user documentation. Our General Terms of Use for Downloads are valid.



Connector, Universal, 4-position, Socket straight M8, Coding: A, Screw connection, knurl material: Nickel-plated brass, external cable diameter 3.5 mm ... 5 mm

Your advantages

- Safe use in the field, thanks to a high degree of protection
- Screw connection: proven connection technology for a large selection of different conductors

Connector - SACC-M 8FS-4CON-M-SW



1506891

<https://www.phoenixcontact.com/pc/products/1506891>

Commercial Data

Item number	1506891
Packing unit	1 pc
Minimum order quantity	1 pc
Product Key	BF2BAA
Catalog Page	Page 17 (C-2-2019)
GTIN	4017918881207
Weight per Piece (including packing)	11.41 g
Weight per Piece (excluding packing)	11.41 g
Customs tariff number	85366990
Country of origin	DE

1506891

<https://www.phoenixcontact.com/pc/products/1506891>

Technical Data

Notes

Assembly instruction:	NOTE: Observe the permissible bending radii when laying conductors, since the degree of protection may be put in jeopardy if the bending forces are too high. Alleviate mechanical loads upstream of the connector, e.g. by using cable ties.
-----------------------	--

Product properties

Product type	Circular connector (cable-side)
Number of positions	4
No. of cable outlets	1
Shielded	no
Coding	A - standard
Cable outlet	straight

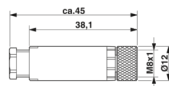
Insulation characteristics

Overvoltage category	III
Degree of pollution	3

Ambient conditions

Degree of protection	IP67
Ambient temperature (operation)	-40 °C ... 85 °C (Plug / socket)

Dimensions

Dimensional drawing	
Width	12 mm
Height	12 mm
Length	45 mm

External dimensions

Outside diameter	3.5 mm ... 5 mm
------------------	-----------------

Housing

Diameter housing	12 mm
------------------	-------

Connector

Insertion/withdrawal cycles	≥ 100
-----------------------------	-------

Header 1

Head design	Socket
Head cable outlet	straight

Connector - SACC-M 8FS-4CON-M-SW



1506891

<https://www.phoenixcontact.com/pc/products/1506891>

Head thread type	M8
Coding	A-coded
Number of positions	4
Coding	A - standard
Insertion/withdrawal cycles	≥ 100
Connection method	Screw connection
Contact material	CuZn
Contact surface material	Au
Number of positions	4
Coding	A - standard
Insertion/withdrawal cycles	≥ 100
Connection method	Screw connection
Contact material	CuZn
Contact surface material	Au

Electrical properties

Rated surge voltage	1.5 kV
Contact resistance	≤ 3 mΩ
Insulation resistance	≥ 100 MΩ
Nominal voltage U _N	30 V AC 30 V DC
Nominal current I _N	4 A

Material specifications

Flammability rating according to UL 94	HB
Sealing material	NBR
Material of grip body	PBT
Contact material	CuZn
Contact surface material	Au
Contact carrier material	PA
Cable gland material	Nickel-plated brass

Connection data

Conductor connection

Connection method	Screw connection
Conductor cross section flexible	0.14 mm ² ... 0.5 mm ²
Cross section AWG	26 ... 20

Mounting

Assembly instructions	The wires can be connected both with ferrules (without insulation) and without ferrules.
-----------------------	--

Standards and regulations

M8

Connector - SACC-M 8FS-4CON-M-SW



1506891

<https://www.phoenixcontact.com/pc/products/1506891>

Standards/specifications	IEC 61076-2-104
--------------------------	-----------------

Cable / line

Cable structure

Signal type/category	Universal
Stripping length of the individual wire	4 mm

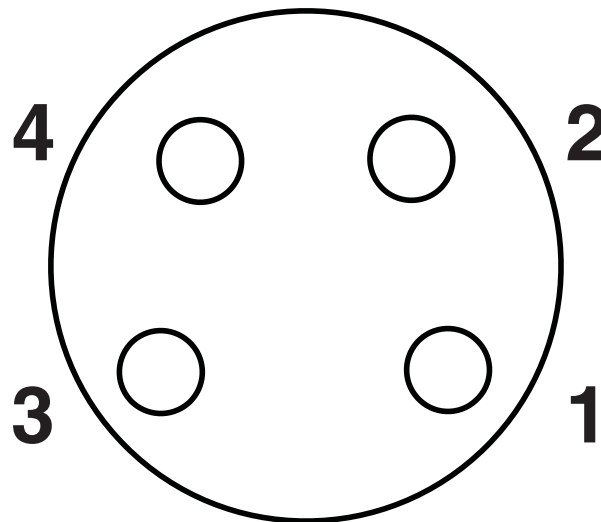
Connector - SACC-M 8FS-4CON-M-SW

1506891

<https://www.phoenixcontact.com/pc/products/1506891>

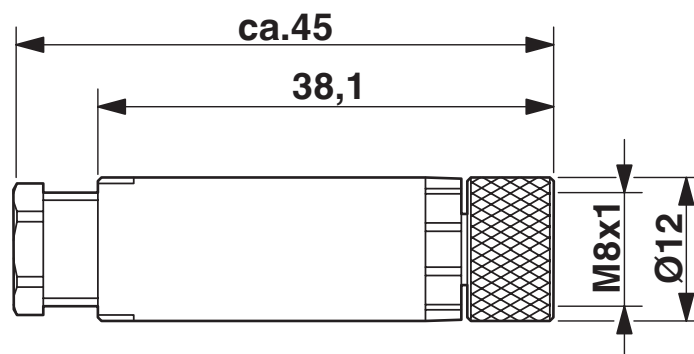
Drawings

Schematic diagram



Pin assignment M8 socket, 4-pos., view female side

Dimensional drawing



Socket M8 x 1, straight

Connector - SACC-M 8FS-4CON-M-SW



1506891

<https://www.phoenixcontact.com/pc/products/1506891>

Approvals

 UL Listed Approval ID: FILE E 221474				
	Nominal Voltage U_N	Nominal Current I_N	Cross Section AWG	Cross Section mm^2
	30 V	4 A	-	-

 cUL Listed Approval ID: FILE E 221474				
	Nominal Voltage U_N	Nominal Current I_N	Cross Section AWG	Cross Section mm^2
	30 V	4 A	-	-

cULus Listed

Connector - SACC-M 8FS-4CON-M-SW



1506891

<https://www.phoenixcontact.com/pc/products/1506891>

Classifications

ECLASS

ECLASS-10.0.1	27440102
ECLASS-9.0	27440102
ECLASS-11.0	27440102

ETIM

ETIM 8.0	EC002635
----------	----------

UNSPSC

UNSPSC 21.0	39121400
-------------	----------

Connector - SACC-M 8FS-4CON-M-SW



1506891

<https://www.phoenixcontact.com/pc/products/1506891>

Environmental Product Compliance

REACH SVHC	Lead 7439-92-1
China RoHS	Environmentally Friendly Use Period = 50 years
	For information on hazardous substances, refer to the manufacturer's declaration available under "Downloads"

Connector - SACC-M 8FS-4CON-M-SW



1506891

<https://www.phoenixcontact.com/pc/products/1506891>

Accessories

Screw plug

Screw plug - PROT-M 8 MS-PA-CHAIN - 1430860

<https://www.phoenixcontact.com/pc/products/1430860>

M8 sealing cap made of plastic with fixing band for sensor cables, for M8 sockets



Cable reel

Cable reel - SAC-4P-100,0-PUR/0,25 - 1501692

<https://www.phoenixcontact.com/pc/products/1501692>

By the meter, Cable reel, PUR halogen-free, black-gray RAL 7021, 4-wire, color single wire: brown, white, blue, black, cable length: 100 m



Connector - SACC-M 8FS-4CON-M-SW

1506891

<https://www.phoenixcontact.com/pc/products/1506891>

Cable reel

Cable reel - SAC-4P-100,0-PUR/0,34 - 1501663

<https://www.phoenixcontact.com/pc/products/1501663>



By the meter, Cable reel, PUR halogen-free, black-gray RAL 7021, 4-wire, color single wire: brown, white, blue, black, cable length: 100 m

Connector

Connector - SACC-M 8-SET/2,2-3,5 - 1436945

<https://www.phoenixcontact.com/pc/products/1436945>



Sensor/actuator connector, accessories, pressure screw and seal, for unshielded M8 connector, cable diameter 2.2 mm - 3.5 mm

Connector - SACC-M 8FS-4CON-M-SW



1506891

<https://www.phoenixcontact.com/pc/products/1506891>

Torque screwdriver

Torque screwdriver - TSD 02 SAC - 1208487

<https://www.phoenixcontact.com/pc/products/1208487>



Torque screwdriver, with preset torque of 0.2 Nm and 4 mm hexagonal drive for M8 connectors

Torque screwdriver

Torque screwdriver - TSD-M 1,2NM - 1212224

<https://www.phoenixcontact.com/pc/products/1212224>



Torque screw driver, accuracy as per EN ISO 6789 standard, adjustable from 0.3 - 1.2 Nm

Connector - SACC-M 8FS-4CON-M-SW



1506891

<https://www.phoenixcontact.com/pc/products/1506891>

Adapter insert

Adapter insert - TSD-M SAC-BIT ADAPTER - 1212600

<https://www.phoenixcontact.com/pc/products/1212600>



Adapter bit for TSD-M...torque tools, E6.3-1/4" drive with 4 mm hexagon to accommodate SAC bits

Tool

Tool - SACC BIT M8-D12 - 1208474

<https://www.phoenixcontact.com/pc/products/1208474>



Nut for assembling M8 connectors with longitudinal knurl and a knurl diameter of 12 mm, for 4 mm hexagonal drive

Phoenix Contact 2022 © - all rights reserved
<https://www.phoenixcontact.com>

PHOENIX CONTACT GmbH & Co. KG
Flachsmarktstraße 8
D-32825 Blomberg
+49 (0) 5235-3 00
info@phoenixcontact.com