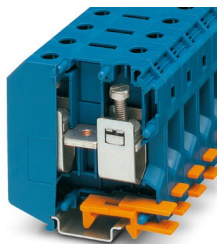


High-current terminal block - UKH 50 BU

3009105

<https://www.phoenixcontact.com/de/produkte/3009105>

Please be informed that the data shown in this PDF document is generated from our Online Catalog. Please find the complete data in the user documentation. Our General Terms of Use for Downloads are valid.



High-current terminal block, nom. voltage: 1000 V, nominal current: 150 A, connection method: Screw connection, cross section: 16 mm² - 70 mm², mounting type: NS 35/7,5, NS 35/15, NS 32, NS 35/15-2,3, color: blue

Your advantages

- Reliable cable connection is ensured by three-point centering of the conductor in the prismatic sleeve base
- Low contact resistance of the contact surface due to ribbing
- Screw locking by means of spring-loaded elements in the clamping part

High-current terminal block - UKH 50 BU



3009105

<https://www.phoenixcontact.com/de/produkte/3009105>

Commercial Data

Item number	3009105
Packing unit	10 pc
Minimum order quantity	1 pc
Sales Key	A1 - Reihenklennen
Product Key	BE1311
Catalog Page	Page 189 (C-1-2019)
GTIN	4017918091637
Weight per Piece (including packing)	120,32 g
Weight per Piece (excluding packing)	115,1 g
Customs tariff number	85369010
Country of origin	IN

Technical Data

Notes

General

Note	For a reliable contact of multi stranded conductors it is recommended to untwist multi stranded conductors.
------	---

Product properties

Product type	High current terminal block
Number of positions	1
Number of connections	2
Number of rows	1
Potentials	1

Insulation characteristics

Overvoltage category	III
Degree of pollution	3

Electrical properties

Rated surge voltage	8 kV
Maximum power dissipation for nominal condition	4.73 W

Connection data

Number of connections per level	2
Nominal cross section	50 mm ²
Rated cross section AWG	1/0

Level 1 above 1 below 1

Screw thread	M6
Tightening torque	6 ... 8 Nm
Stripping length	24 mm
Internal cylindrical gage	B10
Conductor cross section solid	16 mm ² ... 70 mm ²
Cross section AWG	6 ... 2/0
Conductor cross section flexible	25 mm ² ... 50 mm ²
Conductor cross section, flexible [AWG]	3 ... 1/0
Flexible conductor cross section flexible (ferrule, w/o plastic sleeve)	25 mm ² ... 50 mm ²
Flexible conductor cross section (ferrule with plastic sleeve)	25 mm ² ... 50 mm ²
2 conductors with same cross section, solid	10 mm ² ... 16 mm ²
2 conductors with same cross section, flexible	10 mm ² ... 16 mm ²
2 conductors with same cross section, flexible, with ferrule without plastic sleeve	10 mm ² ... 16 mm ²
Nominal current	150 A
Maximum load current	150 A (with 50 mm ² conductor cross section)

High-current terminal block - UKH 50 BU



3009105

<https://www.phoenixcontact.com/de/produkte/3009105>

Nominal voltage	1000 V
Note	Note: Product releases, connection cross sections and notes on connecting aluminum cables can be found in the download area.

Ex data

Rated data (ATEX/IECEX)

ATEX certificate	KEMA 98 ATEX 1786 U
IEC Ex certificate	IECEX KEM 06.0029 U
Identification	□ II 2 GD Ex eb IIC Gb
Operating temperature range	-60 °C ... 110 °C
Ex-certified accessories	1205082 SZS 1,2X8,0 VDE 1201659 E/AL-NS 32 1201662 E/AL-NS 35
Bridge data	130.5 A / 50 mm ²
Ex temperature increase	40 K (133 A / 50 mm ²)
Rated voltage	630 V
for bridging with bridge	690 V
Rated insulation voltage	630 V

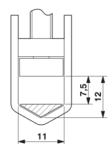
Ex level General

Rated current	133 A
Maximum load current	133 A
Contact resistance	0.1 mΩ

Ex connection data General

Torque range	6 Nm ... 8 Nm
Nominal cross section	50 mm ²
Rated cross section AWG	1/0
Connection capacity rigid	16 mm ² ... 50 mm ²
Connection capacity AWG	6 ... 1/0
Connection capacity flexible	25 mm ² ... 50 mm ²
Connection capacity AWG	4 ... 1/0
2 conductors with same cross section, solid	10 mm ² ... 16 mm ²
2 conductors with the same cross-section AWG rigid	8 ... 6
2 conductors with same cross section, stranded	10 mm ² ... 16 mm ²
2 conductors with the same cross-section AWG flexible	8 ... 6

Dimensions

Dimensional drawing	
Width	20 mm
Height	75.8 mm

High-current terminal block - UKH 50 BU



3009105

<https://www.phoenixcontact.com/de/produkte/3009105>

Height NS 35/15	83.5 mm
Height	3.287 "
Height NS 32	81 mm
Length	70.5 mm

Material specifications

Color	blue
Flammability rating according to UL 94	V0
Insulating material group	I
Insulating material	PA
Static insulating material application in cold	-60 °C
Temperature index of insulation material (DIN EN 60216-1 (VDE 0304-21))	130 °C
Relative insulation material temperature index (Elec., UL 746 B)	130 °C
Fire protection for rail vehicles (DIN EN 45545-2) R22	HL 1 - HL 3
Fire protection for rail vehicles (DIN EN 45545-2) R23	HL 1 - HL 3
Fire protection for rail vehicles (DIN EN 45545-2) R24	HL 1 - HL 3
Fire protection for rail vehicles (DIN EN 45545-2) R26	HL 1 - HL 3
Calorimetric heat release NFPA 130 (ASTM E 1354)	28 MJ/kg
Surface flammability NFPA 130 (ASTM E 162)	passed
Specific optical density of smoke NFPA 130 (ASTM E 662)	passed
Smoke gas toxicity NFPA 130 (SMP 800C)	passed

Electrical tests

Surge voltage test

Test voltage setpoint	9.8 kV
Result	Test passed
Short-time withstand current 50 mm ²	6 kA
Result	Test passed

Power-frequency withstand voltage

Test voltage setpoint	2.2 kV
Result	Test passed

Mechanical properties

Mechanical data

Open side panel	No
-----------------	----

Mechanical tests

Mechanical strength

Result	Test passed
--------	-------------

Attachment on the carrier

DIN rail/fixing support	NS 32/NS 35
-------------------------	-------------

High-current terminal block - UKH 50 BU



3009105

<https://www.phoenixcontact.com/de/produkte/3009105>

Test force setpoint	10 N
Result	Test passed

Test for conductor damage and slackening

Rotation speed	10 rpm
Revolutions	135
Conductor cross section/weight	16 mm ² / 2.9 kg
	25 mm ² / 4.5 kg
	50 mm ² / 9.5 kg
	70 mm ² /10.4 kg
Result	Test passed

Environmental and real-life conditions

Needle-flame test

Time of exposure	30 s
Result	Test passed

Ambient conditions

Ambient temperature (operation)	-60 °C ... 105 °C (max. short-term operating temperature RTI Elec.)
Ambient temperature (storage/transport)	-25 °C ... 60 °C (for a short time, not exceeding 24 h, -60 °C to +70 °C)
Ambient temperature (assembly)	-5 °C ... 70 °C
Ambient temperature (actuation)	-5 °C ... 70 °C
Permissible humidity (storage/transport)	30 % ... 70 %

Standards and regulations

Connection in acc. with standard	IEC 60947-7-1
----------------------------------	---------------

Mounting

Mounting type	NS 35/7,5
	NS 35/15
	NS 32
	NS 35/15-2,3

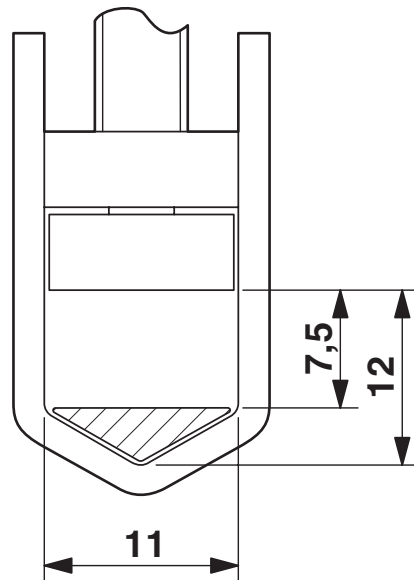
High-current terminal block - UKH 50 BU

3009105

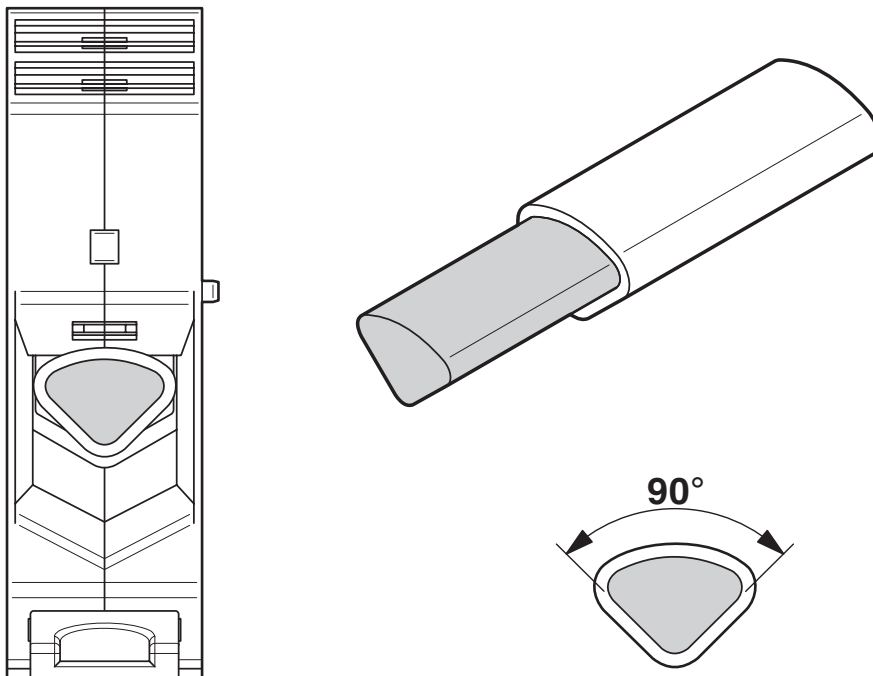
<https://www.phoenixcontact.com/de/produkte/3009105>

Drawings

Dimensional drawing



Schematic diagram



Connecting aluminum cables. Further notes can be found in the download area

High-current terminal block - UKH 50 BU

3009105

<https://www.phoenixcontact.com/de/produkte/3009105>



Circuit diagram



High-current terminal block - UKH 50 BU



3009105

<https://www.phoenixcontact.com/de/produkte/3009105>

Approvals

DNV Approval ID: TAE00001CT				
	Nominal Voltage U_N	Nominal Current I_N	Cross Section AWG	Cross Section mm^2
			-	-

CSA Approval ID: 13631				
	Nominal Voltage U_N	Nominal Current I_N	Cross Section AWG	Cross Section mm^2
Use group B	600 V	150 A	6 - 1/0	-
Use group C	600 V	150 A	6 - 1/0	-

IECEE CB Scheme Approval ID: DE1-62936				
	Nominal Voltage U_N	Nominal Current I_N	Cross Section AWG	Cross Section mm^2
	1000 V	150 A	-	- 50

EAC Approval ID: RU C-DE.AI30.B.01102				
---	--	--	--	--

cULus Recognized Approval ID: E60425				
	Nominal Voltage U_N	Nominal Current I_N	Cross Section AWG	Cross Section mm^2
Use group B	600 V	150 A	6 - 1/0	-
Multi-conductor connection	600 V	150 A	8 - 6	-
Use group C	600 V	150 A	6 - 1/0	-
Multi-conductor connection	600 V	150 A	8 - 6	-

LR Approval ID: LR2041789TA				
---------------------------------------	--	--	--	--

EAC Approval ID: RU C-DE.BL08.B.00534				
---	--	--	--	--

High-current terminal block - UKH 50 BU



3009105

<https://www.phoenixcontact.com/de/produkte/3009105>



VDE Zeichengenehmigung

Approval ID: 40036368

Nominal Voltage U_N	Nominal Current I_N	Cross Section AWG	Cross Section mm^2
1000 V	150 A	-	- 50



PRS

Approval ID: TE/2156/880590/17



LR

Approval ID: LR2004271TA



ATEX

Approval ID: KEMA98ATEX1786U



cUL Recognized

Approval ID: E192998

Nominal Voltage U_N	Nominal Current I_N	Cross Section AWG	Cross Section mm^2
600 V	150 A	6 - 1/0	-



EAC Ex

Approval ID: RU C-DE.HA91.B.00066



IEC Ex

Approval ID: IECEx KEM 06.0029U



UL Recognized

Approval ID: E192998

Nominal Voltage U_N	Nominal Current I_N	Cross Section AWG	Cross Section mm^2
600 V	150 A	6 - 1/0	-



CCC

Approval ID: 2020322313000623



NEPSI

Approval ID: GYJ20.1195U

High-current terminal block - UKH 50 BU

3009105

<https://www.phoenixcontact.com/de/produkte/3009105>



cULus Recognized

High-current terminal block - UKH 50 BU



3009105

<https://www.phoenixcontact.com/de/produkte/3009105>

Classifications

ECLASS

ECLASS-9.0	27141120
ECLASS-10.0.1	27141120
ECLASS-11.0	27141120

ETIM

ETIM 8.0	EC000897
----------	----------

UNSPSC

UNSPSC 21.0	39121400
-------------	----------

High-current terminal block - UKH 50 BU



3009105

<https://www.phoenixcontact.com/de/produkte/3009105>

Environmental Product Compliance

China RoHS	Environmentally friendly use period: unlimited = EFUP-e
	No hazardous substances above threshold values

High-current terminal block - UKH 50 BU

3009105

<https://www.phoenixcontact.com/de/produkte/3009105>

Accessories

 Note: Applying some accessories below might limit this product.


Fixed bridge

Fixed bridge - FBI 2-20 - 0201346

<https://www.phoenixcontact.com/de/produkte/0201346>



Fixed bridge, pitch: 20 mm, color: silver

 Max. current carrying capacity: 150 A


Fixed bridge

Fixed bridge - FBI 3-20 - 0201317

<https://www.phoenixcontact.com/de/produkte/0201317>



Fixed bridge, pitch: 20 mm, color: silver

 Max. current carrying capacity: 150 A

High-current terminal block - UKH 50 BU

3009105

<https://www.phoenixcontact.com/de/produkte/3009105>

Fixed bridge

Fixed bridge - FBI 2-20-EX - 0201113

<https://www.phoenixcontact.com/de/produkte/0201113>



Fixed bridge, color: silver

 Max. current carrying capacity: 130 A

Fixed bridge

Fixed bridge - FBI 3-20-EX - 0201812

<https://www.phoenixcontact.com/de/produkte/0201812>



Fixed bridge, color: silver

 Max. current carrying capacity: 130 A

High-current terminal block - UKH 50 BU

3009105

<https://www.phoenixcontact.com/de/produkte/3009105>

Insertion profile

Insertion profile - UKH 50 EP - 3009228

<https://www.phoenixcontact.com/de/produkte/3009228>

Insertion profile, color: silver



DIN rail perforated

DIN rail perforated - NS 35/ 7,5 PERF 2000MM - 0801733

<https://www.phoenixcontact.com/de/produkte/0801733>



DIN rail perforated, acc. to EN 60715, material: Steel, galvanized, passivated with a thick layer, Standard profile, color: silver, Pack of 25 (50 m)

High-current terminal block - UKH 50 BU

3009105

<https://www.phoenixcontact.com/de/produkte/3009105>

Pick-off terminal block

Pick-off terminal block - AGK 10-UKH 50 - 3001763

<https://www.phoenixcontact.com/de/produkte/3001763>



Pick-off terminal block, Can only be used in conjunction with UKH 50/70, nom. voltage: 1000 V, nominal current: 57 A, connection method: Screw connection, Rated cross section: 10 mm², cross section: 0.5 mm² - 10 mm², color: gray

DIN rail, unperforated

DIN rail, unperforated - NS 35/ 7,5 UNPERF 2000MM - 0801681

<https://www.phoenixcontact.com/de/produkte/0801681>



DIN rail, unperforated, acc. to EN 60715, material: Steel, galvanized, passivated with a thick layer, Standard profile, color: silver, Pack of 25 (50 m)

High-current terminal block - UKH 50 BU

3009105

<https://www.phoenixcontact.com/de/produkte/3009105>

Screwdriver

Screwdriver - SZS 1,2X8,0 VDE - 1205082

<https://www.phoenixcontact.com/de/produkte/1205082>



Screwdriver, slot-headed, VDE insulated, size: 1.2 x 8.0 x 175 mm, 2-component grip, with non-slip grip

DIN rail perforated

DIN rail perforated - NS 35/ 7,5 WH PERF 2000MM - 1204119

<https://www.phoenixcontact.com/de/produkte/1204119>



DIN rail perforated, acc. to EN 60715, material: Steel, Galvanized, white passivated, Standard profile, color: silver, Pack of 25 (50 m)

High-current terminal block - UKH 50 BU

3009105

<https://www.phoenixcontact.com/de/produkte/3009105>

Marker pen

Marker pen - X-PEN 0,35 - 0811228

<https://www.phoenixcontact.com/de/produkte/0811228>



Marker pen without ink cartridge, for manual labeling of markers, labeling extremely wipe-proof, line thickness 0.35 mm

DIN rail, unperforated

DIN rail, unperforated - NS 35/ 7,5 WH UNPERF 2000MM-VPE 10 - 1204122

<https://www.phoenixcontact.com/de/produkte/1204122>



DIN rail, unperforated, acc. to EN 60715, material: Steel, Galvanized, white passivated, Standard profile, color: silver, Pack of 10 (20 m)

High-current terminal block - UKH 50 BU

3009105

<https://www.phoenixcontact.com/de/produkte/3009105>

Warning label

Warning label - WS-2K - 1004513

<https://www.phoenixcontact.com/de/produkte/1004513>

Adhesive warning plate, self-adhesive, black print: lightning flash with mixed version - "Vorsicht Spannung - Attention Danger" size of label: 32 x 26 mm



DIN rail, unperforated

DIN rail, unperforated - NS 35/ 7,5 AL UNPERF 2000MM - 0801704

<https://www.phoenixcontact.com/de/produkte/0801704>

DIN rail, unperforated, acc. to EN 60715, material: Aluminum, uncoated, Standard profile, color: silver, Pack of 25 (50 m)



High-current terminal block - UKH 50 BU

3009105

<https://www.phoenixcontact.com/de/produkte/3009105>

Warning label

Warning label - WS-4K - 1004584

<https://www.phoenixcontact.com/de/produkte/1004584>

Adhesive warning plate, self-adhesive, black print: lightning flash with mixed version - "Vorsicht Spannung - Attention Danger" size of label: 13 x 23.5 mm



DIN rail perforated

DIN rail perforated - NS 35/ 7,5 ZN PERF 2000MM - 1206421

<https://www.phoenixcontact.com/de/produkte/1206421>



DIN rail perforated, acc. to EN 60715, material: Steel, galvanized, Standard profile, color: silver, Pack of 25 (50 m)

High-current terminal block - UKH 50 BU

3009105

<https://www.phoenixcontact.com/de/produkte/3009105>

DIN rail, unperforated

DIN rail, unperforated - NS 35/ 7,5 ZN UNPERF 2000MM - 1206434

<https://www.phoenixcontact.com/de/produkte/1206434>



DIN rail, unperforated, acc. to EN 60715, material: Steel, galvanized, Standard profile, color: silver, Pack of 25 (50 m)

DIN rail, unperforated

DIN rail, unperforated - NS 35/ 7,5 CU UNPERF 2000MM-VPE 10 - 0801762

<https://www.phoenixcontact.com/de/produkte/0801762>



DIN rail, unperforated, acc. to EN 60715, material: Copper, uncoated, Standard profile, color: copper-colored, Pack of 10 (20 m)

High-current terminal block - UKH 50 BU

3009105

<https://www.phoenixcontact.com/de/produkte/3009105>



End cap

End cap - NS 35/ 7,5 CAP - 1206560

<https://www.phoenixcontact.com/de/produkte/1206560>

DIN rail end piece, for DIN rail NS 35/7.5



DIN rail, unperforated

DIN rail, unperforated - NS 35/15-2,3 UNPERF 2000MM-VPE 10 - 1201798

<https://www.phoenixcontact.com/de/produkte/1201798>



DIN rail, unperforated, acc. to EN 60715, material: Steel, galvanized, passivated with a thick layer, Standard profile 2.3 mm, color: silver, Pack of 10 (20 m)

High-current terminal block - UKH 50 BU

3009105

<https://www.phoenixcontact.com/de/produkte/3009105>

DIN rail perforated

DIN rail perforated - NS 32 PERF 2000MM-VPE 10 - 1201002

<https://www.phoenixcontact.com/de/produkte/1201002>



DIN rail perforated, acc. to EN 60715, material: Steel, galvanized, passivated with a thick layer, G profile, color: silver, Pack of 10 (20 m)

DIN rail, unperforated

DIN rail, unperforated - NS 32 UNPERF 2000MM-VPE 10 - 1201015

<https://www.phoenixcontact.com/de/produkte/1201015>



DIN rail, unperforated, acc. to EN 60715, material: Steel, galvanized, passivated with a thick layer, G profile, color: silver, Pack of 10 (20 m)

High-current terminal block - UKH 50 BU

3009105

<https://www.phoenixcontact.com/de/produkte/3009105>

DIN rail perforated

DIN rail perforated - NS 35/15 PERF 2000MM - 1201730

<https://www.phoenixcontact.com/de/produkte/1201730>



DIN rail perforated, similar to EN 60715, material: Steel, galvanized, passivated with a thick layer, Standard profile, color: silver, Pack of 25 (50 m)

DIN rail, unperforated

DIN rail, unperforated - NS 35/15 UNPERF 2000MM - 1201714

<https://www.phoenixcontact.com/de/produkte/1201714>



DIN rail, unperforated, similar to EN 60715, material: Steel, galvanized, passivated with a thick layer, Standard profile, color: silver, Pack of 25 (50 m)

High-current terminal block - UKH 50 BU

3009105

<https://www.phoenixcontact.com/de/produkte/3009105>

DIN rail perforated

DIN rail perforated - NS 35/15 WH PERF 2000MM - 0806602

<https://www.phoenixcontact.com/de/produkte/0806602>



DIN rail perforated, similar to EN 60715, material: Steel, Galvanized, white passivated, Standard profile, color: white, Pack of 25 (50 m)

DIN rail, unperforated

DIN rail, unperforated - NS 35/15 WH UNPERF 2000MM-VPE 10 - 1204135

<https://www.phoenixcontact.com/de/produkte/1204135>



DIN rail, unperforated, similar to EN 60715, material: Steel, Galvanized, white passivated, Standard profile, color: silver, Pack of 10 (20 m)

High-current terminal block - UKH 50 BU

3009105

<https://www.phoenixcontact.com/de/produkte/3009105>

DIN rail, unperforated

DIN rail, unperforated - NS 35/15 AL UNPERF 2000MM - 1201756

<https://www.phoenixcontact.com/de/produkte/1201756>



DIN rail, unperforated, similar to EN 60715, material: Aluminum, uncoated, Standard profile, color: silver

DIN rail perforated

DIN rail perforated - NS 35/15 ZN PERF 2000MM - 1206599

<https://www.phoenixcontact.com/de/produkte/1206599>



DIN rail perforated, similar to EN 60715, material: Steel, galvanized, Standard profile, color: silver, Pack of 25 (50 m)

High-current terminal block - UKH 50 BU

3009105

<https://www.phoenixcontact.com/de/produkte/3009105>

DIN rail, unperforated

DIN rail, unperforated - NS 35/15 ZN UNPERF 2000MM - 1206586

<https://www.phoenixcontact.com/de/produkte/1206586>



DIN rail, unperforated, similar to EN 60715, material: Steel, galvanized, Standard profile, color: silver, Pack of 25 (50 m)

DIN rail, unperforated

DIN rail, unperforated - NS 35/15 CU UNPERF 2000MM-VPE 10 - 1201895

<https://www.phoenixcontact.com/de/produkte/1201895>



DIN rail, unperforated, similar to EN 60715, material: Copper, uncoated, Standard profile, color: copper-colored, Pack of 10 (20 m)

High-current terminal block - UKH 50 BU

3009105

<https://www.phoenixcontact.com/de/produkte/3009105>

End cap

End cap - NS 35/15 CAP - 1206573

<https://www.phoenixcontact.com/de/produkte/1206573>

DIN rail end piece, for DIN rail NS 35/15



Zack marker strip

Zack marker strip - ZB 10:UNBEDRUCKT - 1053001

<https://www.phoenixcontact.com/de/produkte/1053001>



Zack marker strip, Strip, white, unlabeled, can be labeled with: PLOTMARK, CMS-P1-PLOTTER, mounting type: snapped, for terminal block width: 10.2 mm, lettering field size: 10.5 mm x 10.15 mm, Number of individual labels: 10

High-current terminal block - UKH 50 BU

3009105

<https://www.phoenixcontact.com/de/produkte/3009105>

Zack marker strip

Zack marker strip - ZB 10 CUS - 0824941

<https://www.phoenixcontact.com/de/produkte/0824941>



Zack marker strip, can be ordered: Strip, white, labeled according to customer specifications, mounting type: snap into tall marker groove, for terminal block width: 10.2 mm, lettering field size: 10.15 x 10.5 mm, Number of individual labels: 10

Zack marker strip

Zack marker strip - ZB10,LGS:FORTL.ZAHLEN - 1053014

<https://www.phoenixcontact.com/de/produkte/1053014>



Zack marker strip, Strip, white, labeled, can be labeled with: CMS-P1-PLOTTER, printed horizontally: consecutive numbers 1 ... 10, 11 ... 20, etc. up to 91 ... 100, mounting type: snapped, for terminal block width: 10.2 mm, lettering field size: 10.15 x 10.5 mm, Number of individual labels: 10

High-current terminal block - UKH 50 BU

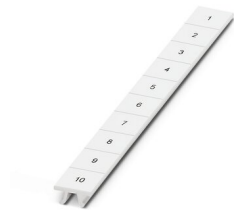
3009105

<https://www.phoenixcontact.com/de/produkte/3009105>

Zack marker strip

Zack marker strip - ZB10,QR:FORTL.ZAHLEN - 1053027

<https://www.phoenixcontact.com/de/produkte/1053027>



Zack marker strip, Strip, white, labeled, can be labeled with: CMS-P1-PLOTTER, Printed vertically: consecutive numbers 1 ... 10, 11 ... 20, etc. up to 91 ... 100, mounting type: snapped, for terminal block width: 10.2 mm, lettering field size: 10.15 x 10.5 mm, Number of individual labels: 10

Marker for terminal blocks

Marker for terminal blocks - ZB10,LGS:L1-N,PE - 1053412

<https://www.phoenixcontact.com/de/produkte/1053412>



Marker for terminal blocks, Strip, white, labeled, can be labeled with: CMS-P1-PLOTTER, horizontal: L1, L2, L3, N, PE, L1, L2, L3, N, PE, mounting type: snapped, for terminal block width: 10.2 mm, lettering field size: 10.15 x 10.5 mm, Number of individual labels: 10

High-current terminal block - UKH 50 BU

3009105

<https://www.phoenixcontact.com/de/produkte/3009105>

Marker for terminal blocks

Marker for terminal blocks - ZB10,LGS:U-N - 1053438

<https://www.phoenixcontact.com/de/produkte/1053438>



Marker for terminal blocks, Strip, white, labeled, can be labeled with: CMS-P1-PLOTTER, horizontal: U, V, W, N, GND, U, V, W, N, GND, mounting type: snapped, for terminal block width: 10.2 mm, lettering field size: 10.15 x 10.5 mm, Number of individual labels: 10

Marker for terminal blocks

Marker for terminal blocks - UC-TM 10 - 0818069

<https://www.phoenixcontact.com/de/produkte/0818069>



Marker for terminal blocks, Sheet, white, unlabeled, can be labeled with: BLUEMARK ID COLOR, BLUEMARK ID, BLUEMARK CLED, PLOTMARK, CMS-P1-PLOTTER, mounting type: snapped, for terminal block width: 10.2 mm, lettering field size: 9.6 x 10.5 mm, Number of individual labels: 48

High-current terminal block - UKH 50 BU

3009105

<https://www.phoenixcontact.com/de/produkte/3009105>

Marker for terminal blocks

Marker for terminal blocks - UC-TM 10 CUS - 0824605

<https://www.phoenixcontact.com/de/produkte/0824605>



Marker for terminal blocks, can be ordered: by sheet, white, labeled according to customer specifications, mounting type: snap into tall marker groove, for terminal block width: 10.2 mm, lettering field size: 9.6 x 10.5 mm, Number of individual labels: 48

Marker for terminal blocks

Marker for terminal blocks - UCT-TM 10 - 0829142

<https://www.phoenixcontact.com/de/produkte/0829142>



Marker for terminal blocks, Sheet, white, unlabeled, can be labeled with: TOPMARK NEO, TOPMARK LASER, BLUEMARK ID COLOR, BLUEMARK ID, BLUEMARK CLED, THERMOMARK PRIME, THERMOMARK CARD 2.0, THERMOMARK CARD, mounting type: snapped, for terminal block width: 10.2 mm, lettering field size: 8.9 x 9.6 mm, Number of individual labels: 36

High-current terminal block - UKH 50 BU

3009105

<https://www.phoenixcontact.com/de/produkte/3009105>

Marker for terminal blocks

Marker for terminal blocks - UCT-TM 10 CUS - 0829623

<https://www.phoenixcontact.com/de/produkte/0829623>



Marker for terminal blocks, can be ordered: by sheet, white, labeled according to customer specifications, mounting type: snap into tall marker groove, for terminal block width: 10.2 mm, lettering field size: 8.9 x 9.6 mm, Number of individual labels: 36

End clamp

End clamp - E/AL-NS 32 - 1201659

<https://www.phoenixcontact.com/de/produkte/1201659>



End clamp, for end support of UKH 50 - UKH 240, is pushed onto DIN rail NS 32 and fixed with 2 screws, width: 10 mm, color: Aluminum

High-current terminal block - UKH 50 BU

3009105

<https://www.phoenixcontact.com/de/produkte/3009105>

End clamp

End clamp - E/AL-NS 35 - 1201662

<https://www.phoenixcontact.com/de/produkte/1201662>



End clamp, for end support of UKH 50 to UKH 240, is pushed onto DIN rail NS 35 and fixed with 2 screws, width: 10 mm, color: aluminum

Phoenix Contact 2022 © - all rights reserved

<https://www.phoenixcontact.com>

PHOENIX CONTACT Deutschland GmbH

Flachsmarktstraße 8

D-32825 Blomberg

+49 52 35/3-1 20 00

info@phoenixcontact.de