

# DIN rail perforated - NS 35/ 7,5 PERF 2000MM



0801733

<https://www.phoenixcontact.com/de/produkte/0801733>

Please be informed that the data shown in this PDF document is generated from our Online Catalog. Please find the complete data in the user documentation. Our General Terms of Use for Downloads are valid.

---



DIN rail perforated, acc. to EN 60715, material: Steel, galvanized, passivated with a thick layer, Standard profile, color: silver, Pack of 25 (50 m)

---

# DIN rail perforated - NS 35/ 7,5 PERF 2000MM



0801733

<https://www.phoenixcontact.com/de/produkte/0801733>

## Commercial Data

Item number	0801733
Packing unit	25 pc
Minimum order quantity	25 pc
Sales Key	B1 - Markierung Montage
Product Key	BE7244
Catalog Page	Page 527 (C-3-2019)
GTIN	4017918006686
Weight per Piece (including packing)	660 g
Weight per Piece (excluding packing)	660 g
Customs tariff number	72166190
Country of origin	DE

# DIN rail perforated - NS 35/ 7,5 PERF 2000MM



0801733

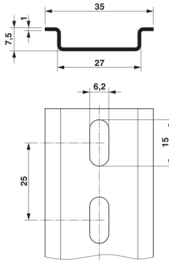
<https://www.phoenixcontact.com/de/produkte/0801733>

## Technical Data

### Product properties

Product type	DIN rail
--------------	----------

### Dimensions

Dimensional drawing	
Width	35 mm
Hole width	15 mm
Height	7.5 mm
Hole height	6.2 mm
Length	2000 mm
Drill hole spacing	25 mm

### Material specifications

Color	silver
Material	Steel
Coating	galvanized, passivated with a thick layer

### Standards and regulations

Connection in acc. with standard	IEC / EN
Tests	acc. to EN 60715

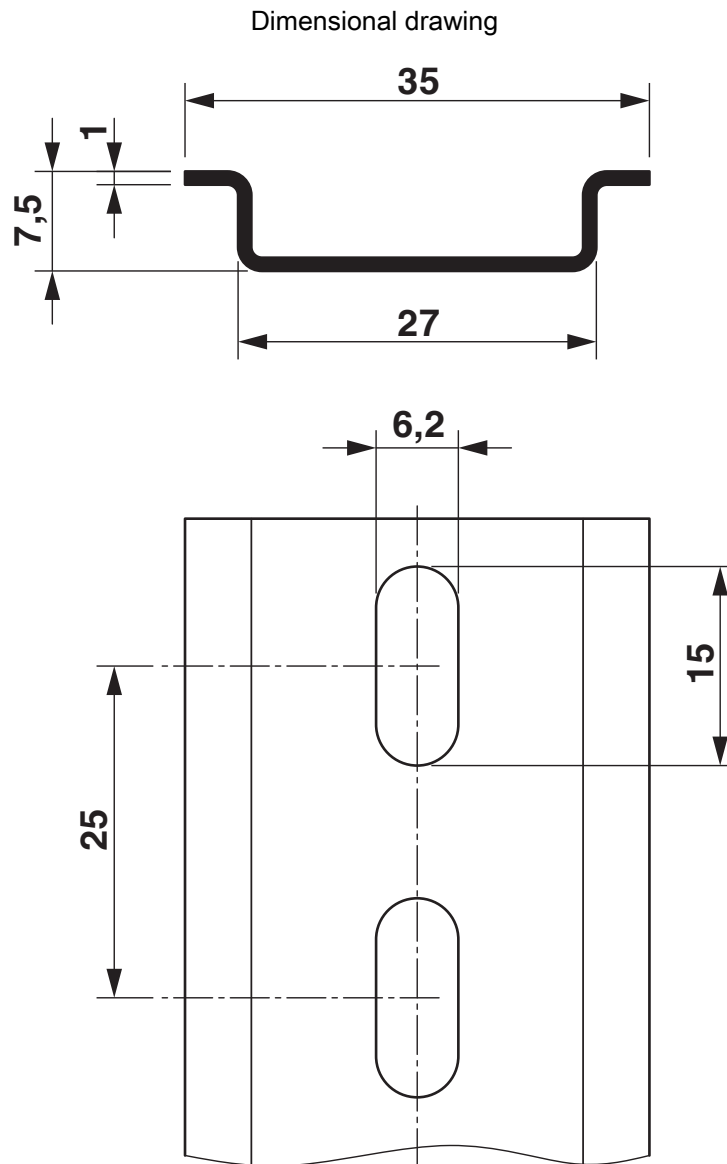
# DIN rail perforated - NS 35/ 7,5 PERF 2000MM

0801733

<https://www.phoenixcontact.com/de/produkte/0801733>



## Drawings



# DIN rail perforated - NS 35/ 7,5 PERF 2000MM



0801733

<https://www.phoenixcontact.com/de/produkte/0801733>

## Classifications

### ECLASS

ECLASS-9.0	27400602
ECLASS-10.0.1	27400602
ECLASS-11.0	27400602
ECLASS-12.0	27400602

### ETIM

ETIM 8.0	EC001285
----------	----------

### UNSPSC

UNSPSC 21.0	39121700
-------------	----------

# DIN rail perforated - NS 35/ 7,5 PERF 2000MM



0801733

<https://www.phoenixcontact.com/de/produkte/0801733>

## Environmental Product Compliance

China RoHS	Environmentally friendly use period: unlimited = EFUP-e
	No hazardous substances above threshold values

Phoenix Contact 2022 © - all rights reserved  
<https://www.phoenixcontact.com>

PHOENIX CONTACT Deutschland GmbH  
Flachmarktstraße 8  
D-32825 Blomberg  
+49 52 35/3-1 20 00  
[info@phoenixcontact.de](mailto:info@phoenixcontact.de)