

D-SUB bus connector - SUBCON 9/F-SH

2761499

<https://www.phoenixcontact.com/pc/products/2761499>

Please be informed that the data shown in this PDF document is generated from our Online Catalog. Please find the complete data in the user documentation. Our General Terms of Use for Downloads are valid.



D-SUB plug, 9-pos. female connector, one 35° cable entry, universal type for all systems, pin assignment: 1, 2, 3, 4, 5, 6, 7, 8, 9 to screw connection terminal block

Product Description

The 9-pos. version of the SUBCON-... connector range is not just suitable for INTERBUS, but is positively ideal. A whole host of further applications are opened up by having all the connections assigned to their own 1 mm² screw terminal block. The range covers SUBCON plugs for point-to-point connections with a cable infeed in 9, 15 and 25-pos. male or female versions. The optional fastening screw SUBCON-SHORT-SCREW is available as an accessory for narrow installation conditions. The screw is completely integrated into the housing by not having a knurl.

Your advantages

- Easy assembly thanks to knurled screws
- Can be used universally
- High level of EMC
- Flexibility in terms of cable entry selection
- Assembly under field conditions
- Change to the D-SUB orientation through a reversible connection block

D-SUB bus connector - SUBCON 9/F-SH



2761499

<https://www.phoenixcontact.com/pc/products/2761499>

Commercial Data

Item number	2761499
Packing unit	1 pc
Minimum order quantity	1 pc
Note	Made to Order (non-returnable)
Sales Key	07
Product Key	DNC511
Catalog Page	Page 451 (C-6-2019)
GTIN	4017918064730
Weight per Piece (including packing)	50.2 g
Weight per Piece (excluding packing)	49.1 g
Customs tariff number	85366990
Country of origin	DE

Technical Data

Notes

Utilization restriction

CCCex note	Use in potentially explosive areas is not permitted in China.
------------	---

Product properties

Product type	Data plug
MTTF	6706 Years (SN 29500 standard, temperature 25°C, operating cycle 21%)
	1817 Years (SN 29500 standard, temperature 40°C, operating cycle 34.25%)
	155 Years (SN 29500 standard, temperature 40°C, operating cycle 100%)
Pin assignment	All connections are 1:1 on the screw terminal block

Electrical properties

Nominal voltage U_N	50 V DC
Nominal current I_N	100 mA
Transmission medium	Copper

Connection data

D-SUB connection

Connection method	D-SUB socket
-------------------	--------------

D-SUB connection

Connection method	Screw connection
Stripping length	5 mm
Conductor cross section solid min.	0.14 mm ²
Conductor cross section solid max.	1.5 mm ²
Conductor cross section flexible min.	0.14 mm ²
Conductor cross section flexible max.	1 mm ²
Conductor cross section AWG min.	26
Conductor cross section AWG max.	16

Interfaces

Signal	RS-232
	RS-422
	RS-485

Dimensions

D-SUB bus connector - SUBCON 9/F-SH



2761499

<https://www.phoenixcontact.com/pc/products/2761499>

Dimensional drawing	
Width	16 mm
Height	55 mm
Length	56.5 mm

External dimensions	
External diameter min.	4 mm
External diameter max.	10 mm

Material specifications	
Housing material	ABS, metal-plated

Connector	
Insertion/withdrawal cycles	> 200
Insertion/withdrawal cycles	> 200
Housing material	ABS, metal-plated
Insertion/withdrawal cycles	> 200

Environmental and real-life conditions	
Ambient conditions	
Degree of protection	IP20
Ambient temperature (operation)	-20 °C ... 75 °C
Ambient temperature (storage/transport)	-25 °C ... 80 °C
Altitude	≤ 5000 m (For restrictions, see the manufacturer's declaration for altitude operation)
Permissible humidity (operation)	10 % ... 95 % (non-condensing)
Permissible humidity (storage/transport)	5 % ... 95 % (non-condensing)

Approval data	
EAC	
Identification	EAC
EAC	
Identification	<input type="checkbox"/> II 3 G Ex nA IIC T4 Gc X
Note	Please follow the special installation instructions in the documentation!
EAC	
Identification	ISA-S71.04-1985 G3 Harsh Group A

D-SUB bus connector - SUBCON 9/F-SH



2761499

<https://www.phoenixcontact.com/pc/products/2761499>

Standards and regulations

Free from substances that could impair the application of coating

according to P-VW 3.10.7 57 65 0 VW-AUDI-Seat central standard

D-SUB bus connector - SUBCON 9/F-SH

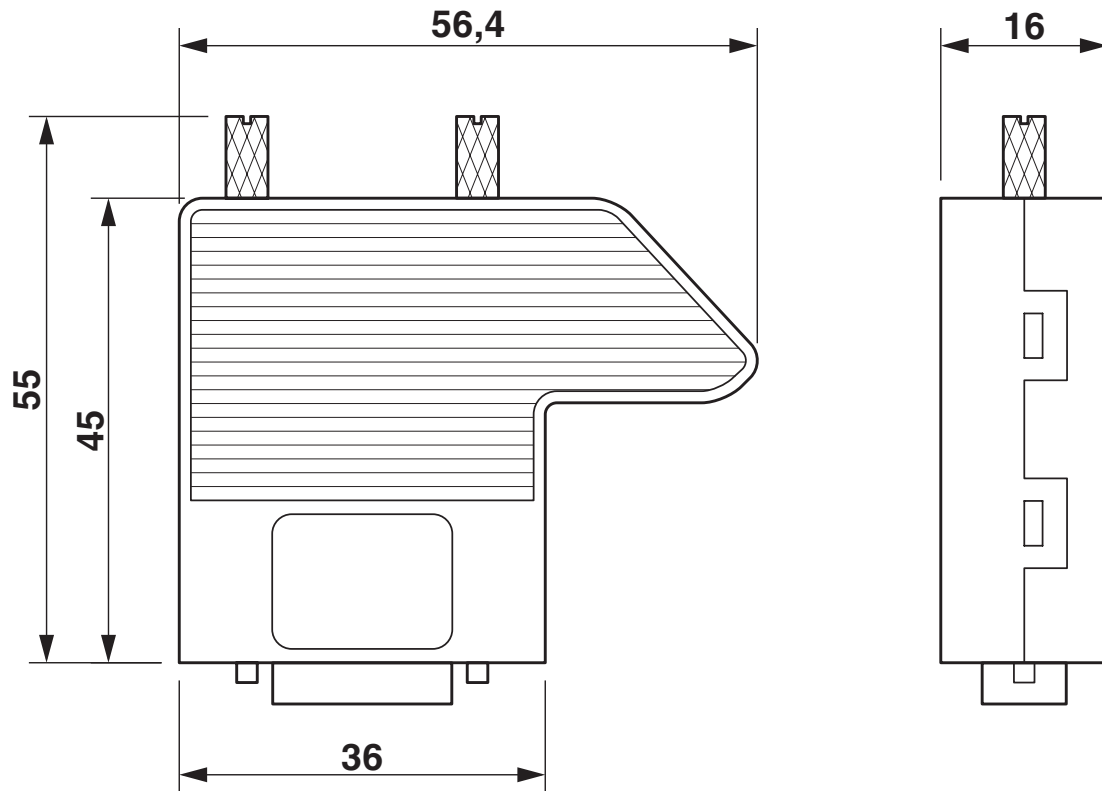
2761499

<https://www.phoenixcontact.com/pc/products/2761499>



Drawings

Dimensional drawing



Dimensional drawing

D-SUB bus connector - SUBCON 9/F-SH




2761499

<https://www.phoenixcontact.com/pc/products/2761499>

Approvals

 cUL Recognized Approval ID: FILE E 238705				
	Nominal Voltage U_N	Nominal Current I_N	Cross Section AWG	Cross Section mm^2
			-	-

 UL Recognized Approval ID: FILE E 238705				
	Nominal Voltage U_N	Nominal Current I_N	Cross Section AWG	Cross Section mm^2
			-	-

 CSA Approval ID: 2437602				
--	--	--	--	--

 ATEX Approval ID: PxCIF15ATEX2761499X				
---	--	--	--	--

cULus Recognized				
-------------------------	--	--	--	--

D-SUB bus connector - SUBCON 9/F-SH



2761499

<https://www.phoenixcontact.com/pc/products/2761499>

Classifications

ECLASS

ECLASS-9.0	27440302
ECLASS-10.0.1	27440302
ECLASS-11.0	27440302

ETIM

ETIM 8.0	EC001132
----------	----------

UNSPSC

UNSPSC 21.0	39121400
-------------	----------

D-SUB bus connector - SUBCON 9/F-SH



2761499

<https://www.phoenixcontact.com/pc/products/2761499>

Environmental Product Compliance

REACH SVHC	Lead 7439-92-1
China RoHS	Environmentally Friendly Use Period = 50 years
	For information on hazardous substances, refer to the manufacturer's declaration available under "Downloads"

D-SUB bus connector - SUBCON 9/F-SH



2761499

<https://www.phoenixcontact.com/pc/products/2761499>

Accessories

Screwdriver

Screwdriver - SZF 0-0,4X2,5 - 1204504

<https://www.phoenixcontact.com/pc/products/1204504>



Actuation tool, for ST terminal blocks, also suitable for use as a bladed screwdriver, size: 0.4 x 2.5 x 75 mm, 2-component grip, with non-slip grip

D-SUB gender changer

D-SUB gender changer - VS-09-GC-ST/ST - 1652651

<https://www.phoenixcontact.com/pc/products/1652651>



D-SUB contact insert, shell size 1, with nine signal contacts, type of contact pin, gender changer, fixing with 4-40 UNC thread

D-SUB bus connector - SUBCON 9/F-SH

2761499

<https://www.phoenixcontact.com/pc/products/2761499>

D-SUB bus connector

D-SUB bus connector - SUBCON 9/M-SH - 2761509

<https://www.phoenixcontact.com/pc/products/2761509>



D-SUB connector, 9-pos., male connector, one 35° cable entry, universal type for all systems, pin assignment: 1, 2, 3, 4, 5, 6, 7, 8, 9 to screw connection terminal block

Screw

Screw - SUBCON-SHORT-SCREW - 2799694

<https://www.phoenixcontact.com/pc/products/2799694>



Optional mounting screw, without knurl for narrow installation conditions, slotted head, length: 40 mm, UNC 4-40 thread Supplied as standard: 1 bag of 20 screws

D-SUB bus connector - SUBCON 9/F-SH

2761499

<https://www.phoenixcontact.com/pc/products/2761499>

Screw

Screw - SUBCON-RAENDEL-SCREW-3MM - 2310387

<https://www.phoenixcontact.com/pc/products/2310387>



Optional mounting screw, with knurl for mounting by hand or using a screwdriver, bladed, length: 56 mm, metric M3 thread

Adapter

Adapter - PSM-AD-D9-NULLMODEM - 2708753

<https://www.phoenixcontact.com/pc/products/2708753>

V.24 (RS-232) zero modem connector



D-SUB bus connector - SUBCON 9/F-SH

2761499

<https://www.phoenixcontact.com/pc/products/2761499>



Crimping pliers

Crimping pliers - CRIMPFOX-1,6-ER-1,50-GH - 1772793

<https://www.phoenixcontact.com/pc/products/1772793>



Crimping pliers, for IBS DSUB.../C

Phoenix Contact 2022 © - all rights reserved

<https://www.phoenixcontact.com>

PHOENIX CONTACT GmbH & Co. KG

Flachsmarktstraße 8

D-32825 Blomberg

+49 (0) 5235-3 00

info@phoenixcontact.com