

# Electronic housing - UEGM-MSTB

2781453

<https://www.phoenixcontact.com/de/produkte/2781453>

Please be informed that the data shown in this PDF document is generated from our Online Catalog. Please find the complete data in the user documentation. Our General Terms of Use for Downloads are valid.

---

Electronic housing, for PCB insertion, with 12-pos. Combicon pin strip



# Electronic housing - UEGM-MSTB



2781453

<https://www.phoenixcontact.com/de/produkte/2781453>

## Commercial Data

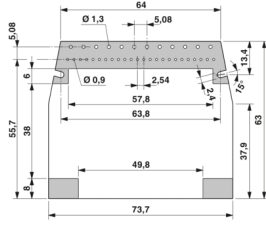
Item number	2781453
Packing unit	10 pc
Minimum order quantity	10 pc
Sales Key	F1 - Elektronikgehäuse
Product Key	ACHCC
Catalog Page	Page 728 (C-1-2013)
GTIN	4017918068967
Weight per Piece (including packing)	52,07 g
Weight per Piece (excluding packing)	45,5 g
Customs tariff number	85366990
Country of origin	DE

## Technical Data

### Product properties

Type	Connection system integrated, housing closed
Product type	Complete housing
Number of positions	12
Type	Complete housing
Housing type	Complete housing
Housing series	UEG

### Dimensions

Dimensional drawing	
Width	25 mm
Installed height	90.5 mm
Height NS 35/7,5	90.5 mm
Depth	79 mm
Length	79 mm

### Material specifications

Color	green
Flammability rating according to UL 94	V2
Surface characteristics	untreated
Housing material	Polyamide

### Environmental and real-life conditions

#### Ambient conditions

Ambient temperature (operation)	-40 °C ... 105 °C
---------------------------------	-------------------

# Electronic housing - UEGM-MSTB

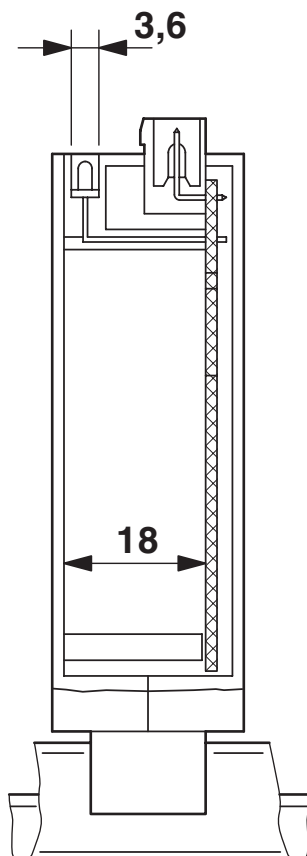
2781453

<https://www.phoenixcontact.com/de/produkte/2781453>



## Drawings

Dimensional drawing



Maximum height of the components on the PCB

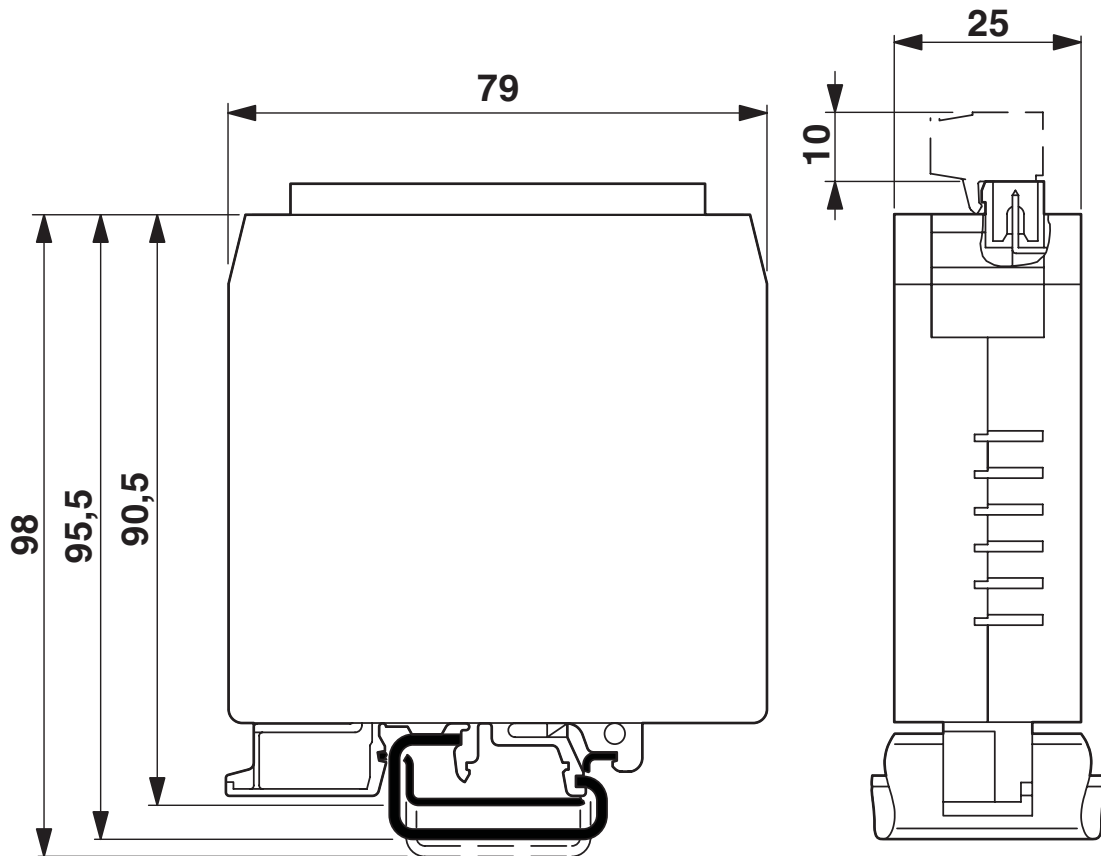
# Electronic housing - UEGM-MSTB

2781453

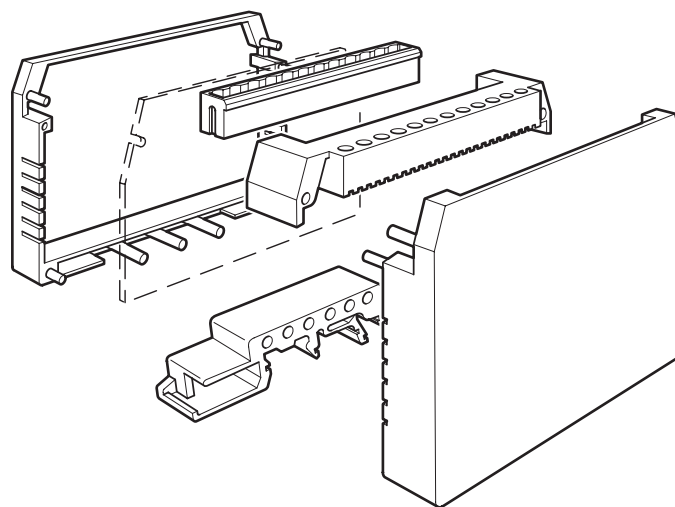
<https://www.phoenixcontact.com/de/produkte/2781453>



Dimensional drawing



Exploded view

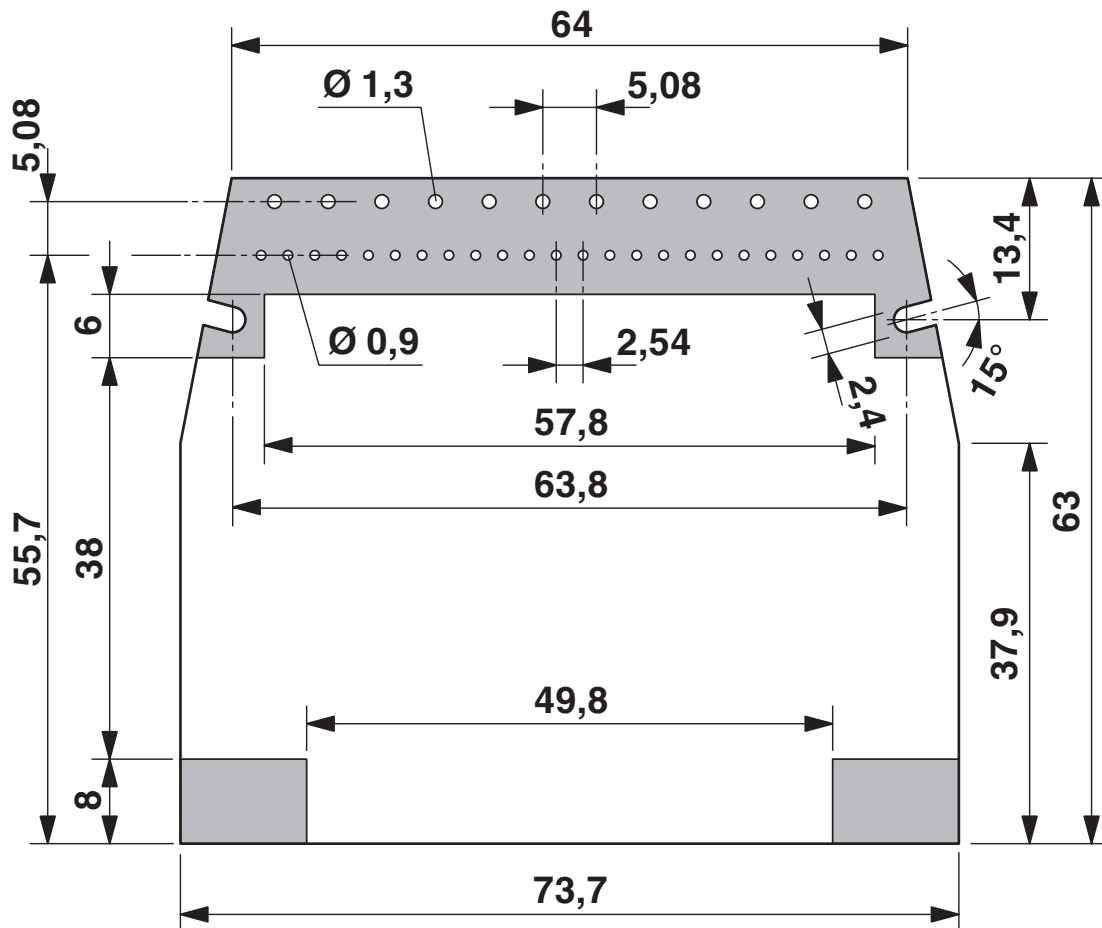


# Electronic housing - UEGM-MSTB

2781453

<https://www.phoenixcontact.com/de/produkte/2781453>

Dimensional drawing



Soldering side of PCB layout  
1 = Overall component area


# Electronic housing - UEGM-MSTB



2781453

<https://www.phoenixcontact.com/de/produkte/2781453>

## Approvals

 EAC

 UL Recognized

2781453

<https://www.phoenixcontact.com/de/produkte/2781453>

## Classifications

### ECLASS

ECLASS-9.0	27182702
ECLASS-10.0.1	27182702
ECLASS-11.0	27182702

### ETIM

ETIM 8.0	EC001031
----------	----------

### UNSPSC

UNSPSC 21.0	31261500
-------------	----------



# Electronic housing - UEGM-MSTB



2781453

<https://www.phoenixcontact.com/de/produkte/2781453>

## Environmental Product Compliance

China RoHS	Environmentally friendly use period: unlimited = EFUP-e
	No hazardous substances above threshold values

# Electronic housing - UEGM-MSTB

2781453

<https://www.phoenixcontact.com/de/produkte/2781453>



## Accessories

### Filler plugs

Filler plugs - UEGM-MSTB-BS - 2781466

<https://www.phoenixcontact.com/de/produkte/2781466>

Filler plug, for closing LED cutouts which are not required.



---

Phoenix Contact 2022 © - all rights reserved  
<https://www.phoenixcontact.com>

PHOENIX CONTACT Deutschland GmbH  
Flachsmarktstraße 8  
D-32825 Blomberg  
+49 52 35/3-1 20 00  
[info@phoenixcontact.de](mailto:info@phoenixcontact.de)