

# DIN rail perforated - NS 35/ 7,5 AL PERF 2000MM VPE 10



0843107

<https://www.phoenixcontact.com/de/produkte/0843107>

Please be informed that the data shown in this PDF document is generated from our Online Catalog. Please find the complete data in the user documentation. Our General Terms of Use for Downloads are valid.

---



DIN rail perforated, acc. to EN 60715, material: Aluminum, uncoated, Standard profile, color: aluminum color, Pack of 10 (20 m)

---

# DIN rail perforated - NS 35/ 7,5 AL PERF 2000MM VPE 10



0843107

<https://www.phoenixcontact.com/de/produkte/0843107>

## Commercial Data

Item number	0843107
Packing unit	10 pc
Minimum order quantity	10 pc
Sales Key	B1 - Markierung Montage
Product Key	BE7238
GTIN	4046356949088
Weight per Piece (including packing)	238 g
Weight per Piece (excluding packing)	238 g
Customs tariff number	76042990
Country of origin	DE

# DIN rail perforated - NS 35/ 7,5 AL PERF 2000MM VPE 10



0843107

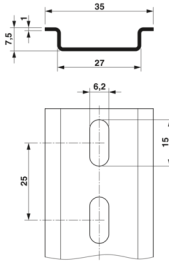
<https://www.phoenixcontact.com/de/produkte/0843107>

## Technical Data

### Product properties

Product type	DIN rail
--------------	----------

### Dimensions

Dimensional drawing	
Width	35 mm
Hole width	15 mm
Height	7.5 mm
Hole height	6.2 mm
Length	2000 mm
Drill hole spacing	25 mm

### Material specifications

Color	aluminum color
Material	Aluminum
Coating	uncoated

### Standards and regulations

Tests	acc. to EN 60715
-------	------------------

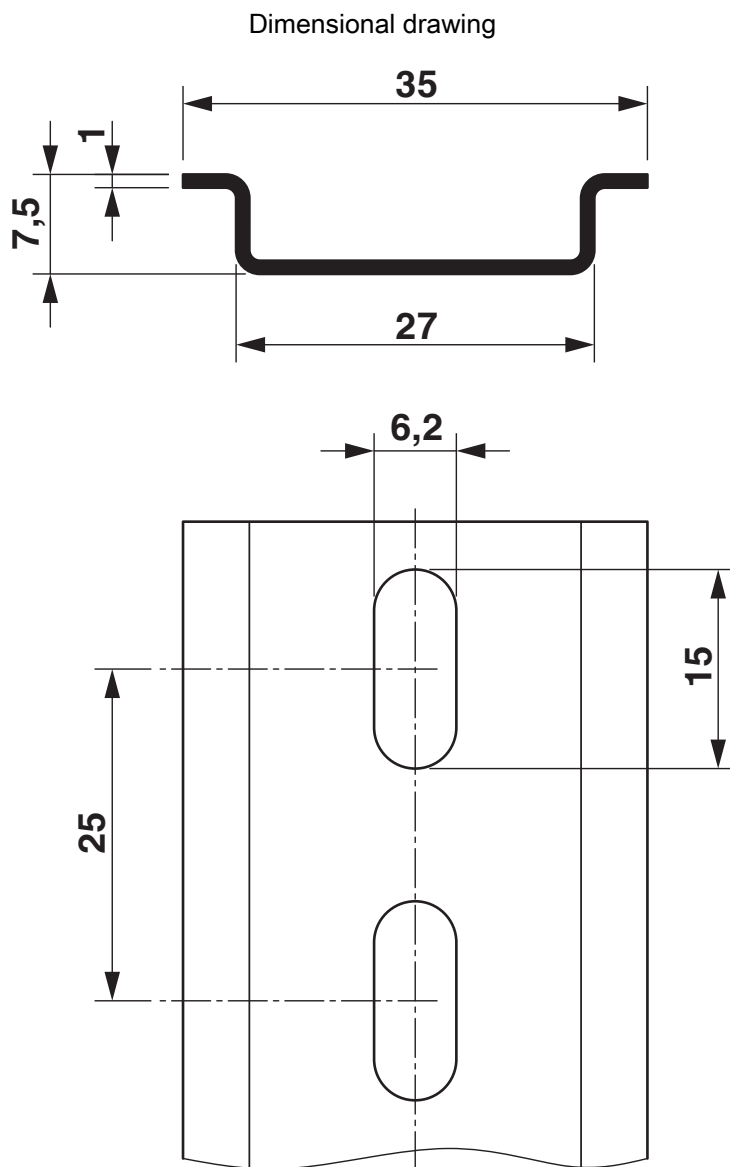
# DIN rail perforated - NS 35/ 7,5 AL PERF 2000MM VPE 10



0843107

<https://www.phoenixcontact.com/de/produkte/0843107>

## Drawings



# DIN rail perforated - NS 35/ 7,5 AL PERF 2000MM VPE 10



0843107

<https://www.phoenixcontact.com/de/produkte/0843107>

## Classifications

### ECLASS

ECLASS-11.0	27400602
ECLASS-12.0	27400602

### ETIM

ETIM 8.0	EC001285
----------	----------

### UNSPSC

UNSPSC 21.0	39121700
-------------	----------

Phoenix Contact 2022 © - all rights reserved

<https://www.phoenixcontact.com>

PHOENIX CONTACT Deutschland GmbH

Flachmarktstraße 8

D-32825 Blomberg

+49 52 35/3-1 20 00

[info@phoenixcontact.de](mailto:info@phoenixcontact.de)