

Housing - HC-STA-B10-SLWD-2SSM25-ELC-AL



1412836

<https://www.phoenixcontact.com/pc/products/1412836>

Please be informed that the data shown in this PDF document is generated from our Online Catalog. Please find the complete data in the user documentation. Our General Terms of Use for Downloads are valid.



Box mounting bases B10, with double locking latch, material: Die-cast aluminum, salt water resistant, cable outlets: 2, lateral, 2x M25, height: 54 mm, cable gland: none, Standard

Your advantages

- good shielding in the event of electromagnetic interference

Housing - HC-STA-B10-SLWD-2SSM25-ELC-AL



1412836

<https://www.phoenixcontact.com/pc/products/1412836>

Commercial Data

| | |
|--------------------------------------|---------------------|
| Item number | 1412836 |
| Packing unit | 1 pc |
| Minimum order quantity | 1 pc |
| Product Key | BF7APB |
| Catalog Page | Page 609 (C-2-2019) |
| GTIN | 4055626060941 |
| Weight per Piece (including packing) | 199.7 g |
| Weight per Piece (excluding packing) | 199 g |
| Customs tariff number | 85389099 |
| Country of origin | PL |

1412836

<https://www.phoenixcontact.com/pc/products/1412836>

Technical Data

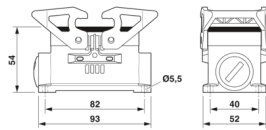
Notes

| | |
|---------|--|
| General | For contact inserts HC-B10, BB18, DD42, M, K8/24 |
|---------|--|

Product properties

| | |
|------------------------------|----------------------------|
| Type | B10 |
| Product type | Housing with locking latch |
| Application | Standard |
| No. of cable outlets | 2 |
| Type of the screw connection | 2x M25 |
| Housing type | Box mounting bases |
| Locking type | with double locking latch |
| Cable outlet | lateral |
| Pg screw connection | none |

Dimensions

| | |
|---------------------|--|
| Dimensional drawing |  |
| Width | 52 mm |
| Height | 54 mm |
| Length | 92 mm |
| Hole diameter | 5.5 mm |

Material specifications

| | |
|--|---|
| Color Housing | gray aluminum |
| Flammability rating according to UL 94 | V0 (Interlock) |
| Sealing material | NBR, conductive (profile gasket) |
| Housing surface material | uncoated |
| Locking latch material | PA |
| Impact strength | IK09 |
| Housing material | Die-cast aluminum, salt water resistant |

Ambient conditions

| | |
|----------------------|-------------|
| Degree of protection | IP66 |
| | IP67 |
| Degree of protection | 4 (UL 50e) |
| | 4X (UL 50e) |
| | 12 (UL 50e) |
| Impact strength | IK09 |

Housing - HC-STA-B10-SLWD-2SSM25-ELC-AL



1412836

<https://www.phoenixcontact.com/pc/products/1412836>

| | |
|---------------------------------|-------------------|
| Ambient temperature (operation) | -40 °C ... 125 °C |
|---------------------------------|-------------------|

Mechanical properties

Mechanical data

| | |
|------------------------------|--------|
| Type of the screw connection | 2x M25 |
| Locking type | Latch |

Mounting

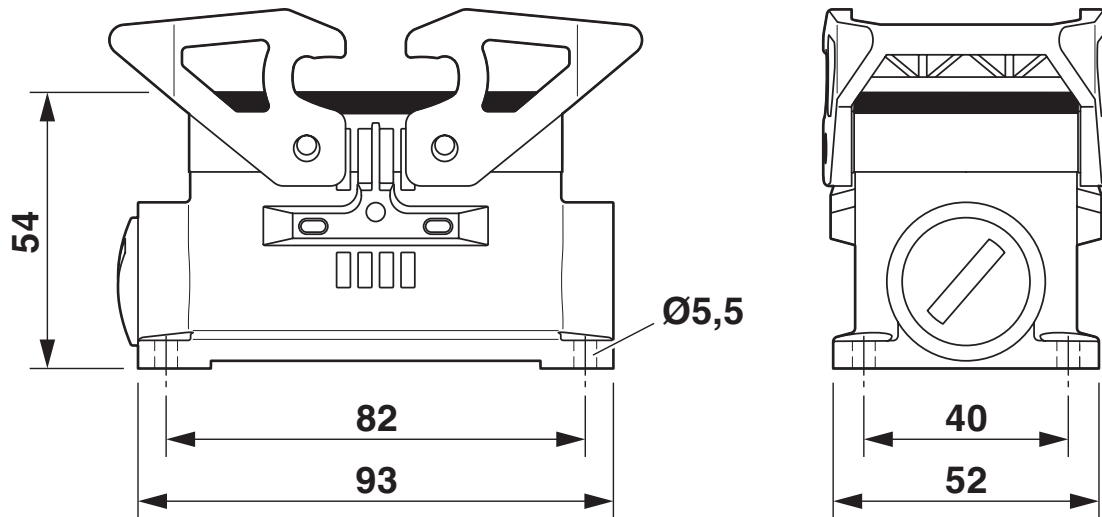
| | |
|-----------------------|---|
| Assembly instructions | One opening is sealed with a plastic filler plug and can be opened using a screwdriver. |
|-----------------------|---|

1412836

<https://www.phoenixcontact.com/pc/products/1412836>

Drawings

Dimensional drawing



Dimensional drawing

1412836

<https://www.phoenixcontact.com/pc/products/1412836>

Approvals

DNV

Approval ID: TAE000037S



cUL Recognized

Approval ID: E255026



UL Recognized

Approval ID: E255026



EAC

Approval ID: RU C-DE.AI30.B.01102



EAC

Approval ID: RU C-DE.BL08.B.00511

cULus Recognized

1412836

<https://www.phoenixcontact.com/pc/products/1412836>

Classifications

ECLASS

| | |
|---------------|----------|
| ECLASS-9.0 | 27440202 |
| ECLASS-10.0.1 | 27440202 |
| ECLASS-11.0 | 27440202 |

ETIM

| | |
|----------|----------|
| ETIM 8.0 | EC000437 |
|----------|----------|

UNSPSC

| | |
|-------------|----------|
| UNSPSC 21.0 | 31261500 |
|-------------|----------|

1412836

<https://www.phoenixcontact.com/pc/products/1412836>

Environmental Product Compliance

| | |
|------------|--|
| China RoHS | Environmentally Friendly Use Period = 50 years For information on hazardous substances, refer to the manufacturer's declaration available under "Downloads" |
|------------|--|

1412836

<https://www.phoenixcontact.com/pc/products/1412836>

Accessories

Cable gland

Cable gland - G-INS-M25-M68N-NNES-S - 1411165

<https://www.phoenixcontact.com/pc/products/1411165>



Cable gland, cable gland material: Nickel-plated brass, external cable diameter 11 mm ... 17 mm, shielding: no, connecting thread: M25 x 1.5, color: silver, with O-ring

Cable gland

Cable gland - G-INSEC-M25-S68N-NCRS-S - 1411190

<https://www.phoenixcontact.com/pc/products/1411190>



Cable gland, cable gland material: Nickel-plated brass, external cable diameter 11 mm ... 16 mm, shielding: yes, connecting thread: M25 x 1.5, color: silver, with O-ring

Housing - HC-STA-B10-SLWD-2SSM25-ELC-AL

1412836

<https://www.phoenixcontact.com/pc/products/1412836>

Profile gasket

Profile gasket - HC-B10-SP-CBK - 1411479

<https://www.phoenixcontact.com/pc/products/1411479>

Profile gasket for HEAVYCON EVO supporting base element type B10, conductive



Screw connection

Screw connection - WP-G HF IP66 M25 BK - 3240899

<https://www.phoenixcontact.com/pc/products/3240899>

Cable gland, metric thread, IP66 protection, straight



Housing - HC-STA-B10-SLWD-2SSM25-ELC-AL

1412836

<https://www.phoenixcontact.com/pc/products/1412836>

Screw connection

Screw connection - WP-G HF IP69K M25 BK - 3240885

<https://www.phoenixcontact.com/pc/products/3240885>



Cable gland, metric thread, IP68/69k protection, straight

Screw connection

Screw connection - WP-GA HF IP66 M25 BK - 3240927

<https://www.phoenixcontact.com/pc/products/3240927>



Cable gland, metric thread, IP66 protection, angled

Housing - HC-STA-B10-SLWD-2SSM25-ELC-AL

1412836

<https://www.phoenixcontact.com/pc/products/1412836>

Screw connection

Screw connection - WP-GA HF IP69K M25 BK - 3240913

<https://www.phoenixcontact.com/pc/products/3240913>

Cable gland, metric thread, IP68/69k protection, angled



Screw connection

Screw connection - WP-GR HF IP66 M25 BK - 3240955

<https://www.phoenixcontact.com/pc/products/3240955>

Cable gland, metric thread, IP66 protection, with strain relief



Housing - HC-STA-B10-SLWD-2SSM25-ELC-AL

1412836

<https://www.phoenixcontact.com/pc/products/1412836>



Screw connection

Screw connection - WP-GR HF IP69K M25 BK - 3240941

<https://www.phoenixcontact.com/pc/products/3240941>



Cable gland, metric thread, IP68/69k protection, with strain relief

Screw connection

Screw connection - WP-G PP HF M25 - 3240999

<https://www.phoenixcontact.com/pc/products/3240999>



Cable gland made from PP with metric thread, IP65 protection

Housing - HC-STA-B10-SLWD-2SSM25-ELC-AL

1412836

<https://www.phoenixcontact.com/pc/products/1412836>

Screw connection

Screw connection - WP-GT PP HF M25 - 3241013

<https://www.phoenixcontact.com/pc/products/3241013>



Cable gland made from PP with metric thread, rotatable, IP54 protection

Screw connection

Screw connection - WP-G BRASS IP40 M25 - 3241048

<https://www.phoenixcontact.com/pc/products/3241048>



Cable gland made from brass with metric thread, IP40 protection

1412836

<https://www.phoenixcontact.com/pc/products/1412836>

Screw connection

Screw connection - WP-GT BRASS M25 - 3241034

<https://www.phoenixcontact.com/pc/products/3241034>



Cable gland made from brass with metric thread, rotatable, IP40 protection

Screw connection

Screw connection - WP-G BRASS IP65 M25 - 3241062

<https://www.phoenixcontact.com/pc/products/3241062>



Cable gland made from brass with metric thread, IP65 protection

Housing - HC-STA-B10-SLWD-2SSM25-ELC-AL



1412836

<https://www.phoenixcontact.com/pc/products/1412836>

Housing brackets

Housing brackets - HC-STA-B10-24-DL-PLBK - 1412886

<https://www.phoenixcontact.com/pc/products/1412886>



Double locking latch for B10 / B16 / B24 housing, HC-EVO...AL and HC-STA...
AL

Phoenix Contact 2022 © - all rights reserved

<https://www.phoenixcontact.com>

PHOENIX CONTACT GmbH & Co. KG

Flachsmarktstraße 8

D-32825 Blomberg

+49 (0) 5235-3 00

info@phoenixcontact.com