

# Contact insert - HC-A03-I-UT-F

1585223

<https://www.phoenixcontact.com/pc/products/1585223>

Please be informed that the data shown in this PDF document is generated from our Online Catalog. Please find the complete data in the user documentation. Our General Terms of Use for Downloads are valid.

---



Contact insert, number of positions: 3+PE, size: D7, number of connections per position: 1, Socket, Screw connection, 230 V/400 V, 10 A, 0.5 mm<sup>2</sup> ... 2.5 mm<sup>2</sup>

---

## Product Description

Contact insert  
without wire protection, with IP65 sealing screw

# Contact insert - HC-A03-I-UT-F



1585223

<https://www.phoenixcontact.com/pc/products/1585223>

## Commercial Data

|                                      |                     |
|--------------------------------------|---------------------|
| Item number                          | 1585223             |
| Packing unit                         | 1 pc                |
| Minimum order quantity               | 1 pc                |
| Product Key                          | BF7ABJ              |
| Catalog Page                         | Page 505 (C-2-2019) |
| GTIN                                 | 4046356284950       |
| Weight per Piece (including packing) | 15.1 g              |
| Weight per Piece (excluding packing) | 15 g                |
| Customs tariff number                | 85366990            |
| Country of origin                    | CN                  |

# Contact insert - HC-A03-I-UT-F

1585223

<https://www.phoenixcontact.com/pc/products/1585223>

## Technical Data

### Notes

|         |  |
|---------|--|
| General | for housing HC-D7  |
| General | Connectors may be operated only when there is no load/voltage. |

### Product properties

|                                    |  |
|------------------------------------|--|
| Type                               | D7   |
| Product type                       | Contact insert with a fixed no. of positions |
| Number of positions                | 3  |
| Connection profile                 | 3+PE   |
| Number of connections per position | 1  |
| Contact type                       | turned                                       |
| Series                             | HC-A   |
| Screwdriver blade                  | 0.4 x 2.5 mm                                 |

### Insulation characteristics

|                      |     |
|----------------------|-----|
| Overvoltage category | III |
| Degree of pollution  | 3   |

### Connection data

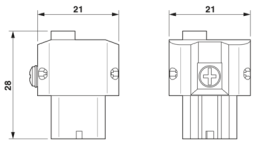
#### Connection technology

|                                    |                  |
|------------------------------------|------------------|
| Connection technology              | Screw connection |
| Number of connections per position | 1                |
| Connection in acc. with standard   | IEC / EN         |

#### Conductor connection

|   |                    |
|---|--------------------|
| Connection cross section AWG            | 20 ... 14          |
| Tightening torque                       | 0.25 Nm ... 0.5 Nm |
| Stripping length of the individual wire | 5 mm               |

### Dimensions

|                     |  |
|---------------------|--|
| Dimensional drawing |  |
| Width               | 21 mm  |
| Height              | 28 mm  |
| Length              | 21 mm  |

### Mechanical characteristics

|                  |        |
|------------------|--------|
| Contact diameter | 1.6 mm |
|------------------|--------|

# Contact insert - HC-A03-I-UT-F



1585223

<https://www.phoenixcontact.com/pc/products/1585223>

## Electrical properties

|                                  |                             |
|----------------------------------|-----------------------------|
| Rated voltage (III/2) contacts   | 415 V (Conductor-PE)        |
|                                  | 690 V (Conductor-Conductor) |
| Rated voltage (III/3)            | 230 V (Conductor-PE)        |
|                                  | 400 V (Conductor-Conductor) |
| Rated voltage for power contacts | 230/400 V                   |
| Rated surge voltage              | 4 kV                        |
| Rated surge voltage              | 4 kV                        |
| Rated current                    | 10 A                        |
| SCCR                             | 5 kA (UL 2237)              |

## Material specifications

|  |   |
|--|---|
| Flammability rating according to UL 94 | V0  |
| Contact material                       | Copper alloy  |
| Contact surface material               | Ag  |
| Contact carrier material               | PC  |
| Standards/regulations                  | PC: Fire protection in rail vehicles - requirement sets R22, R23, and R24 acc. to DIN EN 45545-2 (Risk level HL1 - HL3) |

## Connector

|                             |       |
|-----------------------------|-------|
| Insertion/withdrawal cycles | ≥ 500 |
|-----------------------------|-------|

## Cable / line

### Cable structure

|   |      |
|---|------|
| Stripping length of the individual wire | 5 mm |
|---|------|

## Mounting

|                       |   |
|-----------------------|---|
| Assembly instructions | To ensure correct use, installation in housing with IP54 protection or better is required |
|                       | Already includes one IP65 sealing screw   |

## Ambient conditions

|                                 |  |
|---------------------------------|--|
| Ambient temperature (operation) | -40 °C ... 125 °C (including heating up of contacts) |
|---------------------------------|--|

## Standards and regulations

### Testing

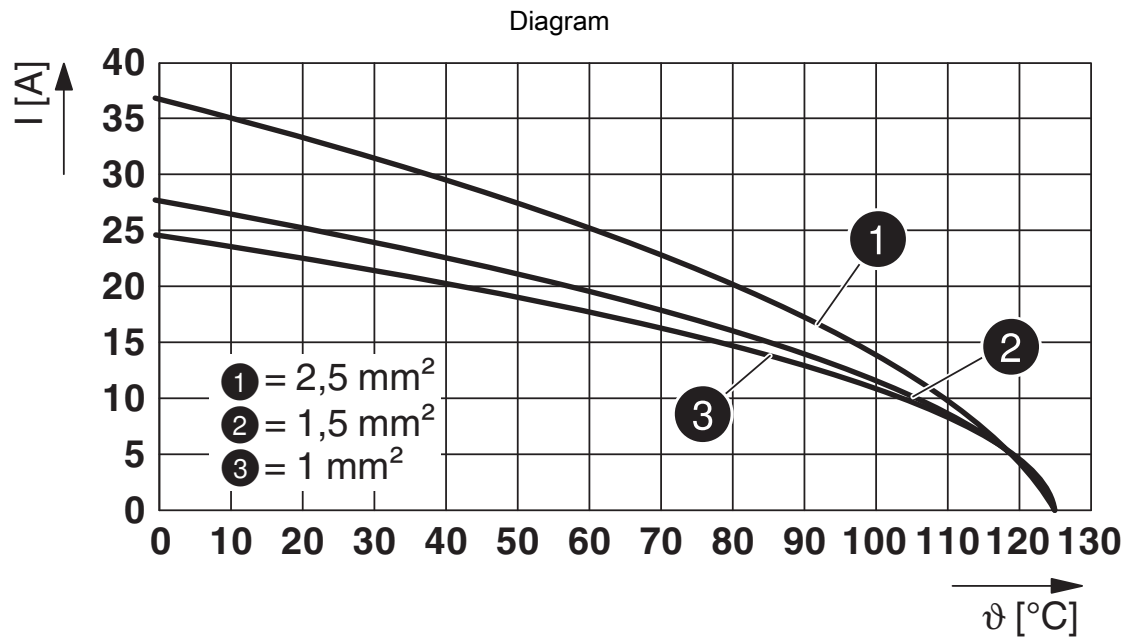
|                       |   |
|-----------------------|---|
| Standards/regulations | PC: Fire protection in rail vehicles - requirement sets R22, R23, and R24 acc. to DIN EN 45545-2 (Risk level HL1 - HL3) |
|-----------------------|---|

# Contact insert - HC-A03-I-UT-F

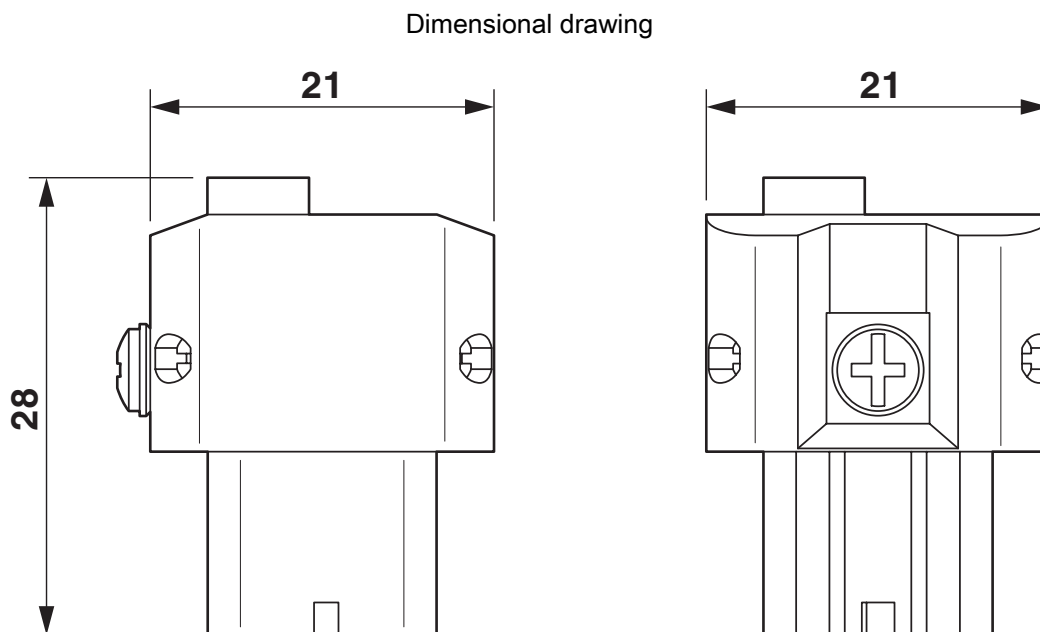
1585223

<https://www.phoenixcontact.com/pc/products/1585223>

## Drawings



Derating diagram



Female insert

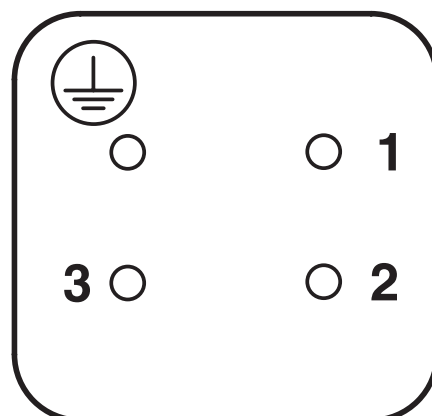
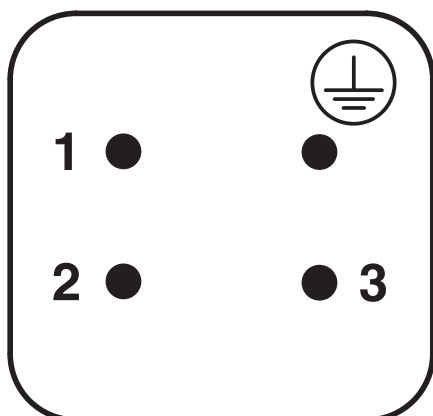
# Contact insert - HC-A03-I-UT-F

1585223

<https://www.phoenixcontact.com/pc/products/1585223>



## Schematic diagram



Connector pin assignment connection side: Left pin; right socket

# Contact insert - HC-A03-I-UT-F



1585223

<https://www.phoenixcontact.com/pc/products/1585223>

## Approvals

**DNV**

Approval ID: TAE000037S



**CSA**

Approval ID: 13631

| Nominal Voltage $U_N$ | Nominal Current $I_N$ | Cross Section AWG | Cross Section $\text{mm}^2$ |
|-----------------------|-----------------------|-------------------|-----------------------------|
| 600 V                 | 18 A                  | - 14              | -                           |



**UL Recognized**

Approval ID: E118976

| Nominal Voltage $U_N$ | Nominal Current $I_N$ | Cross Section AWG | Cross Section $\text{mm}^2$ |
|-----------------------|-----------------------|-------------------|-----------------------------|
| 600 V                 | 24 A                  | -                 | -                           |



**EAC**

Approval ID: RU C-DE.AI30.B.01102



**UL Recognized**

Approval ID: E468743

| Nominal Voltage $U_N$ | Nominal Current $I_N$ | Cross Section AWG | Cross Section $\text{mm}^2$ |
|-----------------------|-----------------------|-------------------|-----------------------------|
| 600 V                 | 24 A                  | -                 | -                           |



**EAC**

Approval ID: RU C-DE.BL08.B.00511

# Contact insert - HC-A03-I-UT-F



1585223

<https://www.phoenixcontact.com/pc/products/1585223>

## Classifications

### ECLASS

|               |          |
|---------------|----------|
| ECLASS-9.0    | 27440205 |
| ECLASS-10.0.1 | 27440205 |
| ECLASS-11.0   | 27440205 |

### ETIM

|          |          |
|----------|----------|
| ETIM 8.0 | EC000438 |
|----------|----------|

### UNSPSC

|             |          |
|-------------|----------|
| UNSPSC 21.0 | 39121500 |
|-------------|----------|



# Contact insert - HC-A03-I-UT-F



1585223

<https://www.phoenixcontact.com/pc/products/1585223>

## Environmental Product Compliance

|            |  |
|------------|--|
| REACH SVHC | Lead 7439-92-1   |
| China RoHS | Environmentally Friendly Use Period = 50 years   |
|            | For information on hazardous substances, refer to the manufacturer's declaration available under "Downloads" |

# Contact insert - HC-A03-I-UT-F

1585223

<https://www.phoenixcontact.com/pc/products/1585223>



## Accessories

### Contact insert

Contact insert - HC-A03-I-UT-M - 1585210

<https://www.phoenixcontact.com/pc/products/1585210>



Contact insert, number of positions: 3+PE, size: D7, number of connections per position: 1, Pin, Screw connection, 230 V/400 V, 10 A, 0.5 mm<sup>2</sup> ... 2.5 mm<sup>2</sup>

---

### Coding element

Coding element - HC-CP-D07-PL - 1095413

<https://www.phoenixcontact.com/pc/products/1095413>



Coding element for HC-D07 contact inserts of the HC-A03... / HC-A04... / HC-Q03... / HC-Q04... / HC-Q07... series

# Contact insert - HC-A03-I-UT-F

1585223

<https://www.phoenixcontact.com/pc/products/1585223>



## Sealing screw

Sealing screw - HC-D 7-DS-IP65 - 1686229

<https://www.phoenixcontact.com/pc/products/1686229>



Sealing screw, size: Countersunk head, IP67, replacement part for D7 size HEAVYCON housing

---

Phoenix Contact 2022 © - all rights reserved

<https://www.phoenixcontact.com>

PHOENIX CONTACT GmbH & Co. KG

Flachsmarktstraße 8

D-32825 Blomberg

+49 (0) 5235-3 00

[info@phoenixcontact.com](mailto:info@phoenixcontact.com)