

Connector - SACC-M 8FS-3CON-M-SW



1506888

<https://www.phoenixcontact.com/pc/products/1506888>

Please be informed that the data shown in this PDF document is generated from our Online Catalog. Please find the complete data in the user documentation. Our General Terms of Use for Downloads are valid.



Connector, Universal, 3-position, Socket straight M8, Coding: A, Screw connection, knurl material: Nickel-plated brass, external cable diameter 3.5 mm ... 5 mm

Your advantages

- Safe use in the field, thanks to a high degree of protection
- Screw connection: proven connection technology for a large selection of different conductors

Connector - SACC-M 8FS-3CON-M-SW



1506888

<https://www.phoenixcontact.com/pc/products/1506888>

Commercial Data

| | |
|--------------------------------------|--------------------|
| Item number | 1506888 |
| Packing unit | 1 pc |
| Minimum order quantity | 1 pc |
| Product Key | BF2BAA |
| Catalog Page | Page 17 (C-2-2019) |
| GTIN | 4017918881214 |
| Weight per Piece (including packing) | 11.01 g |
| Weight per Piece (excluding packing) | 11.01 g |
| Customs tariff number | 85366990 |
| Country of origin | DE |

1506888

<https://www.phoenixcontact.com/pc/products/1506888>

Technical Data

Notes

Assembly instruction:

NOTE: Observe the permissible bending radii when laying conductors, since the degree of protection may be put in jeopardy if the bending forces are too high. Alleviate mechanical loads upstream of the connector, e.g. by using cable ties.

Product properties

| | |
|----------------------|---------------------------------|
| Product type | Circular connector (cable-side) |
| Number of positions | 3 |
| No. of cable outlets | 1 |
| Shielded | no |
| Coding | A - standard |
| Cable outlet | straight |

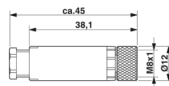
Insulation characteristics

| | |
|----------------------|-----|
| Overvoltage category | III |
| Degree of pollution | 3 |

Ambient conditions

| | |
|---------------------------------|----------------------------------|
| Degree of protection | IP67 |
| Ambient temperature (operation) | -40 °C ... 85 °C (Plug / socket) |

Dimensions

| | |
|---------------------|--|
| Dimensional drawing |  |
| Width | 12 mm |
| Height | 12 mm |
| Length | 45 mm |

External dimensions

| | |
|------------------|-----------------|
| Outside diameter | 3.5 mm ... 5 mm |
|------------------|-----------------|

Housing

| | |
|------------------|-------|
| Diameter housing | 12 mm |
|------------------|-------|

Connector

| | |
|-----------------------------|-------|
| Insertion/withdrawal cycles | ≥ 100 |
|-----------------------------|-------|

Header 1

| | |
|-------------------|----------|
| Head design | Socket |
| Head cable outlet | straight |

Connector - SACC-M 8FS-3CON-M-SW



1506888

<https://www.phoenixcontact.com/pc/products/1506888>

| | |
|-----------------------------|------------------|
| Head thread type | M8 |
| Coding | A-coded |
| Number of positions | 3 |
| Coding | A - standard |
| Insertion/withdrawal cycles | ≥ 100 |
| Connection method | Screw connection |
| Contact material | CuZn |
| Contact surface material | Au |
| Number of positions | 3 |
| Coding | A - standard |
| Insertion/withdrawal cycles | ≥ 100 |
| Connection method | Screw connection |
| Contact material | CuZn |
| Contact surface material | Au |

Electrical properties

| | |
|--------------------------------|--------------------|
| Rated surge voltage | 1.5 kV |
| Contact resistance | ≤ 3 mΩ |
| Insulation resistance | ≥ 100 MΩ |
| Nominal voltage U _N | 48 V AC 60 V DC |
| Nominal current I _N | 4 A |

Material specifications

| | |
|--|---------------------|
| Flammability rating according to UL 94 | HB |
| Sealing material | NBR |
| Material of grip body | PBT |
| Contact material | CuZn |
| Contact surface material | Au |
| Contact carrier material | PA |
| Cable gland material | Nickel-plated brass |

Connection data

Conductor connection

| | |
|----------------------------------|--|
| Connection method | Screw connection |
| Conductor cross section flexible | 0.14 mm ² ... 0.5 mm ² |
| Cross section AWG | 26 ... 20 |

Mounting

| | |
|-----------------------|--|
| Assembly instructions | The wires can be connected both with ferrules (without insulation) and without ferrules. |
|-----------------------|--|

Standards and regulations

M8

Connector - SACC-M 8FS-3CON-M-SW



1506888

<https://www.phoenixcontact.com/pc/products/1506888>

| | |
|--------------------------|-----------------|
| Standards/specifications | IEC 61076-2-104 |
|--------------------------|-----------------|

Cable / line

Cable structure

| | |
|---|-----------|
| Signal type/category | Universal |
| Stripping length of the individual wire | 4 mm |

Connector - SACC-M 8FS-3CON-M-SW

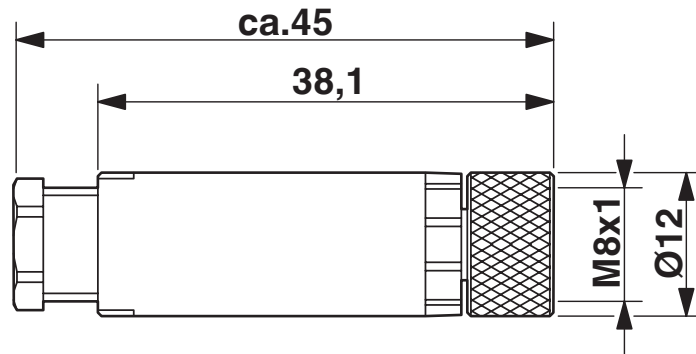
1506888

<https://www.phoenixcontact.com/pc/products/1506888>



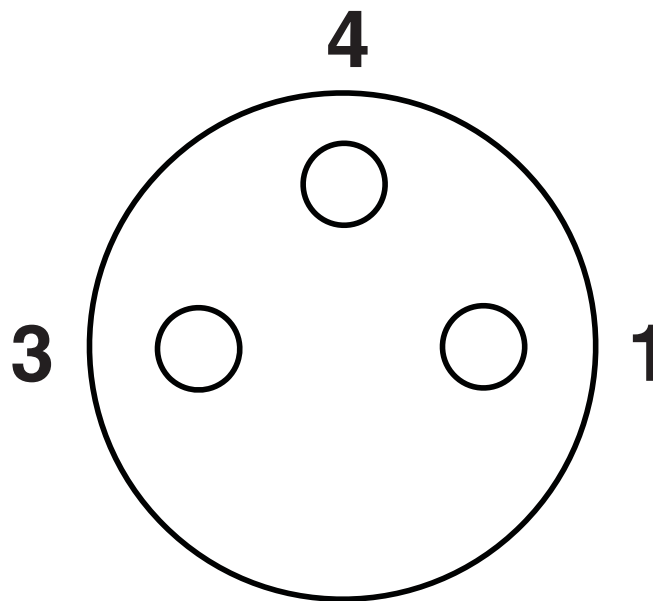
Drawings

Dimensional drawing



Socket M8 x 1, straight

Schematic diagram



Pin assignment M8 socket, 3-pos., view female side

Connector - SACC-M 8FS-3CON-M-SW



1506888

<https://www.phoenixcontact.com/pc/products/1506888>

Approvals

|  UL Listed Approval ID: FILE E 221474 | | | | |
|--|-----------------------|-----------------------|-------------------|-----------------------------|
| | Nominal Voltage U_N | Nominal Current I_N | Cross Section AWG | Cross Section mm^2 |
| | 60 V | 4 A | - | - |

|  cUL Listed Approval ID: FILE E 221474 | | | | |
|---|-----------------------|-----------------------|-------------------|-----------------------------|
| | Nominal Voltage U_N | Nominal Current I_N | Cross Section AWG | Cross Section mm^2 |
| | 60 V | 4 A | - | - |

cULus Listed

Connector - SACC-M 8FS-3CON-M-SW



1506888

<https://www.phoenixcontact.com/pc/products/1506888>

Classifications

ECLASS

| | |
|---------------|----------|
| ECLASS-10.0.1 | 27440102 |
| ECLASS-9.0 | 27440102 |
| ECLASS-11.0 | 27440102 |

ETIM

| | |
|----------|----------|
| ETIM 8.0 | EC002635 |
|----------|----------|

UNSPSC

| | |
|-------------|----------|
| UNSPSC 21.0 | 39121400 |
|-------------|----------|

Connector - SACC-M 8FS-3CON-M-SW



1506888

<https://www.phoenixcontact.com/pc/products/1506888>

Environmental Product Compliance

| | |
|------------|--|
| REACH SVHC | Lead 7439-92-1 |
| China RoHS | Environmentally Friendly Use Period = 50 years |
| | For information on hazardous substances, refer to the manufacturer's declaration available under "Downloads" |

Connector - SACC-M 8FS-3CON-M-SW



1506888

<https://www.phoenixcontact.com/pc/products/1506888>

Accessories

Screw plug

Screw plug - PROT-M 8 MS-PA-CHAIN - 1430860

<https://www.phoenixcontact.com/pc/products/1430860>

M8 sealing cap made of plastic with fixing band for sensor cables, for M8 sockets



Cable reel

Cable reel - SAC-3P-100,0-PUR/0,25 - 1501689

<https://www.phoenixcontact.com/pc/products/1501689>

By the meter, Cable reel, PUR halogen-free, black-gray RAL 7021, 3-wire, color single wire: brown, blue, black, cable length: 100 m



Connector - SACC-M 8FS-3CON-M-SW

1506888

<https://www.phoenixcontact.com/pc/products/1506888>

Cable reel

Cable reel - SAC-3P-100,0-PUR/0,34 - 1501650

<https://www.phoenixcontact.com/pc/products/1501650>



By the meter, Cable reel, PUR halogen-free, black-gray RAL 7021, 3-wire, color single wire: brown, blue, black, cable length: 100 m

Connector

Connector - SACC-M 8-SET/2,2-3,5 - 1436945

<https://www.phoenixcontact.com/pc/products/1436945>



Sensor/actuator connector, accessories, pressure screw and seal, for unshielded M8 connector, cable diameter 2.2 mm - 3.5 mm

Connector - SACC-M 8FS-3CON-M-SW



1506888

<https://www.phoenixcontact.com/pc/products/1506888>

Torque screwdriver

Torque screwdriver - TSD 02 SAC - 1208487

<https://www.phoenixcontact.com/pc/products/1208487>



Torque screwdriver, with preset torque of 0.2 Nm and 4 mm hexagonal drive for M8 connectors

Torque screwdriver

Torque screwdriver - TSD-M 1,2NM - 1212224

<https://www.phoenixcontact.com/pc/products/1212224>



Torque screw driver, accuracy as per EN ISO 6789 standard, adjustable from 0.3 - 1.2 Nm

Connector - SACC-M 8FS-3CON-M-SW



1506888

<https://www.phoenixcontact.com/pc/products/1506888>

Adapter insert

Adapter insert - TSD-M SAC-BIT ADAPTER - 1212600

<https://www.phoenixcontact.com/pc/products/1212600>



Adapter bit for TSD-M...torque tools, E6.3-1/4" drive with 4 mm hexagon to accommodate SAC bits

Tool

Tool - SACC BIT M8-D12 - 1208474

<https://www.phoenixcontact.com/pc/products/1208474>



Nut for assembling M8 connectors with longitudinal knurl and a knurl diameter of 12 mm, for 4 mm hexagonal drive

Phoenix Contact 2022 © - all rights reserved
<https://www.phoenixcontact.com>

PHOENIX CONTACT GmbH & Co. KG
Flachsmarktstraße 8
D-32825 Blomberg
+49 (0) 5235-3 00
info@phoenixcontact.com