

# Y distributor - SAC-3P-Y/2XFS B PE SCO



1523968

<https://www.phoenixcontact.com/de/produkte/1523968>

Please be informed that the data shown in this PDF document is generated from our Online Catalog. Please find the complete data in the user documentation. Our General Terms of Use for Downloads are valid.

---



Y distributor, 4-position, Plug straight M12 SPEEDCON, coding: A, on Socket straight M12 SPEEDCON, coding: A, PIN 2+4 bridged and Socket straight M12 SPEEDCON, coding: A, PIN 2+4 bridged, Thread M12 socket not rotatable

---

# Y distributor - SAC-3P-Y/2XFS B PE SCO



1523968

<https://www.phoenixcontact.com/de/produkte/1523968>

## Commercial Data

Item number	1523968
Packing unit	5 pc
Minimum order quantity	1 pc
Sales Key	C1 - Sensor-Aktor-Kabel
Product Key	BF1GAB
Catalog Page	Page 258 (C-2-2017)
GTIN	4046356072960
Weight per Piece (including packing)	29,4 g
Weight per Piece (excluding packing)	25,97 g
Customs tariff number	85366990
Country of origin	PL

# Y distributor - SAC-3P-Y/2XFS B PE SCO

1523968

<https://www.phoenixcontact.com/de/produkte/1523968>

## Technical Data

### Notes

General	with center distance of 18 mm, suitable for molded connectors and unshielded connectors that can be assembled with QUICKON IDC terminal block connection technology and a connection range of 0.14 mm <sup>2</sup> to 0.34 mm <sup>2</sup>
---------	--

### Product properties

Product type	Y-distributor
Number of positions	4
No. of cable outlets	2
Shielded	no
Coding	A - standard
Thread type	M12

### Insulation characteristics

Overvoltage category	II
Degree of pollution	3

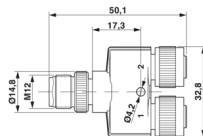
### Electrical properties

Insulation resistance	≥ 100 MΩ
Nominal voltage U <sub>N</sub>	48 V AC
	60 V DC
Nominal current I <sub>N</sub>	4 A

### LED signaling

Status display	No
Status display present	No

### Dimensions

Dimensional drawing	
Width	32.8 mm
Height	14.8 mm
Length	50.1 mm
Center distance	18 mm

### Material specifications

Flammability rating according to UL 94	HB
Sealing material	NBR
Material of grip body	TPU, hardly inflammable, self-extinguishing

# Y distributor - SAC-3P-Y/2XFS B PE SCO



1523968

<https://www.phoenixcontact.com/de/produkte/1523968>

Contact material	CuZn
Contact surface material	Ni/Au
Contact carrier material	TPU GF
Cable gland material	Zinc die-cast, nickel-plated

## Connector

Insertion/withdrawal cycles	≥ 100
-----------------------------	-------

### Header 1

Head design	Plug
Head cable outlet	straight
Head thread type	M12
Head locking type	SPEEDCON
Coding	A

### Head 2

Head design	Socket
Head cable outlet	straight
Head thread type	M12
Head locking type	SPEEDCON
Coding	A

## Environmental and real-life conditions

### Ambient conditions

Degree of protection	IP65
	IP67
Ambient temperature (operation)	-25 °C ... 90 °C (Plug / socket)

## Standards and regulations

Standards/specifications	IEC 61076-2-101
--------------------------	-----------------

# Y distributor - SAC-3P-Y/2XFS B PE SCO

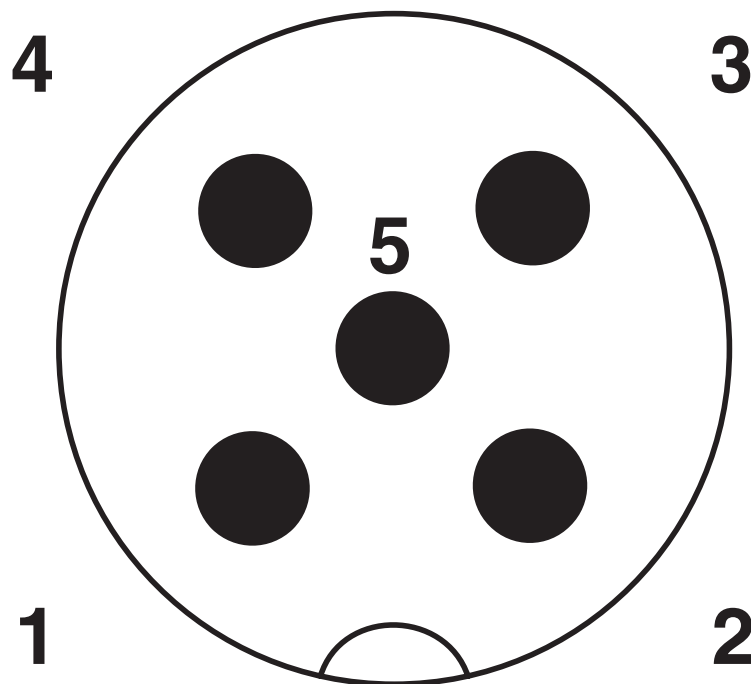
1523968

<https://www.phoenixcontact.com/de/produkte/1523968>



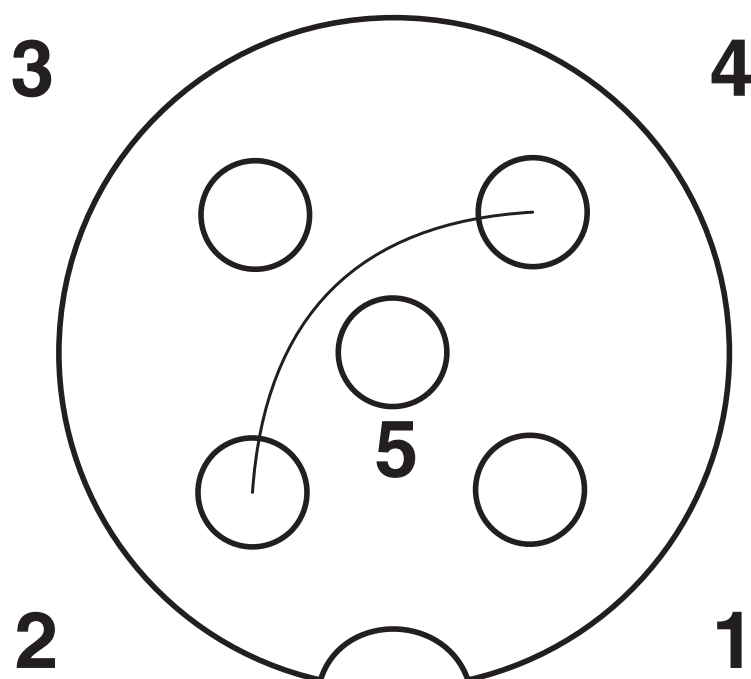
## Drawings

Schematic diagram



Pin assignment M12 male connector, 5-pos., A-coded, male side

Schematic diagram



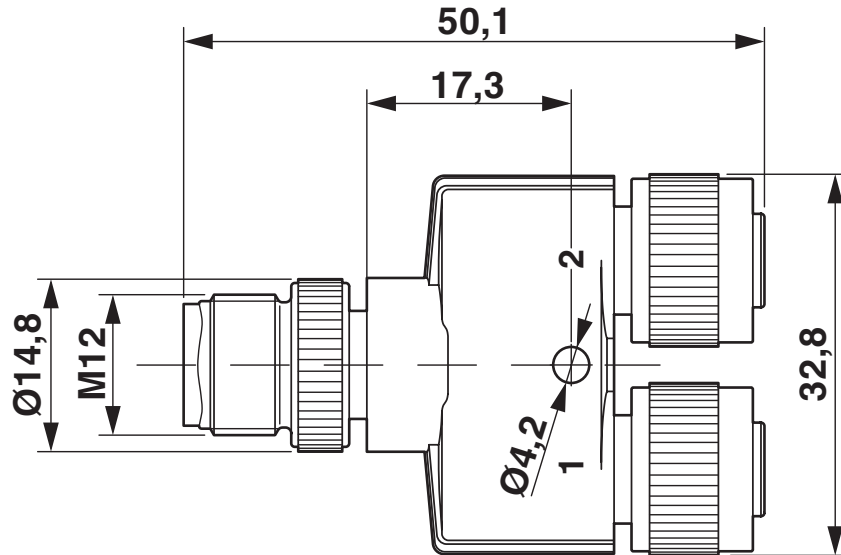
Pin assignment M12 socket, 5-pos., PIN 2+4 bridged, A-coded, socket side view

# Y distributor - SAC-3P-Y/2XFS B PE SCO

1523968

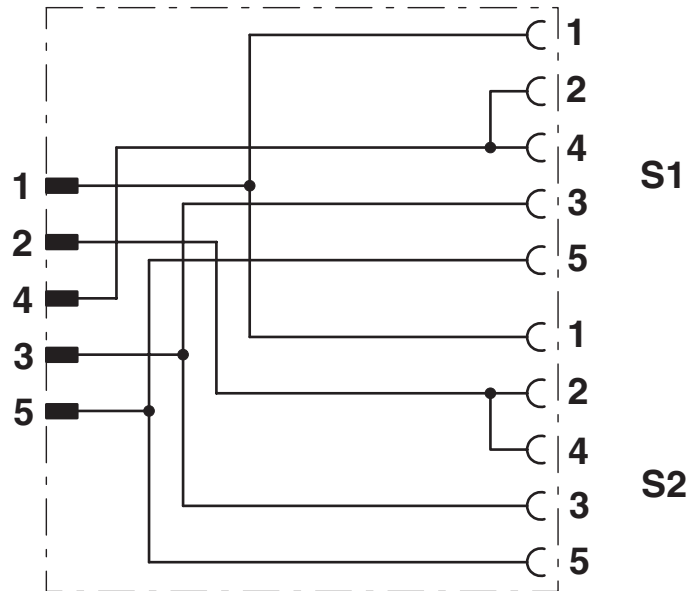
<https://www.phoenixcontact.com/de/produkte/1523968>

Dimensional drawing



Plug M12 x 1, Y distributor

Circuit diagram



Contact assignment of the M12 Y distributor

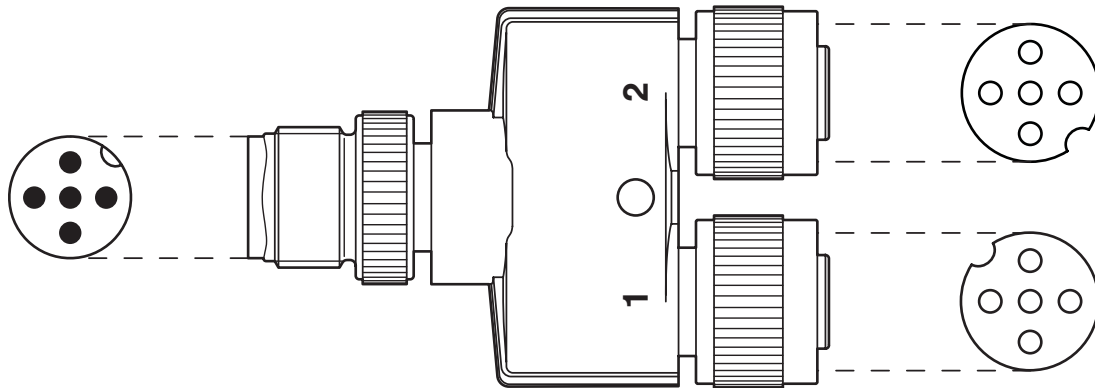
# Y distributor - SAC-3P-Y/2XFS B PE SCO

1523968

<https://www.phoenixcontact.com/de/produkte/1523968>



Schematic diagram



Layout of connector pin assignments

# Y distributor - SAC-3P-Y/2XFS B PE SCO



1523968

<https://www.phoenixcontact.com/de/produkte/1523968>

## Approvals



**EAC**

Approval ID: RU C-DE.AI30.B.01102



**EAC**

Approval ID: RU C-DE.BL08.B.00511



**UL Listed**

Approval ID: E221474

	Nominal Voltage $U_N$	Nominal Current $I_N$	Cross Section AWG	Cross Section $\text{mm}^2$
	30 V	4 A	-	-



**cUL Listed**

Approval ID: E221474

	Nominal Voltage $U_N$	Nominal Current $I_N$	Cross Section AWG	Cross Section $\text{mm}^2$
	30 V	4 A	-	-

**cULus Listed**



# Y distributor - SAC-3P-Y/2XFS B PE SCO



1523968

<https://www.phoenixcontact.com/de/produkte/1523968>

## Classifications

### ECLASS

ECLASS-9.0	27440106
ECLASS-10.0.1	27440106
ECLASS-11.0	27440106
ECLASS-12.0	27440106

### ETIM

ETIM 8.0	EC002925
----------	----------

### UNSPSC

UNSPSC 21.0	31251500
-------------	----------

# Y distributor - SAC-3P-Y/2XFS B PE SCO



1523968

<https://www.phoenixcontact.com/de/produkte/1523968>

## Environmental Product Compliance

REACH SVHC	Lead 7439-92-1
China RoHS	Environmentally Friendly Use Period = 50 years
	For information on hazardous substances, refer to the manufacturer's declaration available under "Downloads"

# Y distributor - SAC-3P-Y/2XFS B PE SCO

1523968

<https://www.phoenixcontact.com/de/produkte/1523968>

## Accessories

### Torque screwdriver

Torque screwdriver - TSD 04 SAC - 1208429

<https://www.phoenixcontact.com/de/produkte/1208429>



Torque screwdriver, with preset torque of 0.4 Nm and 4 mm hexagonal drive for M12 connectors

---

### Tool

Tool - SAC BIT M12-D15 - 1208432

<https://www.phoenixcontact.com/de/produkte/1208432>



Nut for assembling sensor/actuator cables with M12 connector and M12 connectors for assembly, with a knurl diameter of 15 mm, for 4 mm hexagonal drive

# Y distributor - SAC-3P-Y/2XFS B PE SCO

1523968

<https://www.phoenixcontact.com/de/produkte/1523968>

## Screw plug

Screw plug - PROT-MS SCO - 1553129

<https://www.phoenixcontact.com/de/produkte/1553129>



M12 screw plug with fast-locking system for unoccupied M12 female connectors of sensor/actuator cables, boxes, and flush-type connectors

---

## Sealing cap

Sealing cap - PROT-M12 FS - 1560251

<https://www.phoenixcontact.com/de/produkte/1560251>



M12 sealing cap for unoccupied M12 plugs of the sensor/actuator cable, flush-type plugs and I/O devices in the field

# Y distributor - SAC-3P-Y/2XFS B PE SCO

1523968

<https://www.phoenixcontact.com/de/produkte/1523968>

## Screw plug

Screw plug - PROT-M12 MS-PA-CHAIN - 1430899

<https://www.phoenixcontact.com/de/produkte/1430899>

M12 sealing cap with fixing band, for sensor cables, for free M12 sockets



---

## Sealing cap

Sealing cap - PROT-M12 FS-PA-CHAIN - 1430873

<https://www.phoenixcontact.com/de/produkte/1430873>

M12 sealing cap made of plastic with fixing band, for sensor cables, for free M12 plugs



---

Phoenix Contact 2022 © - all rights reserved  
<https://www.phoenixcontact.com>

PHOENIX CONTACT Deutschland GmbH  
Flachsmarktstraße 8  
D-32825 Blomberg  
+49 52 35/3-1 20 00  
[info@phoenixcontact.de](mailto:info@phoenixcontact.de)