

Protective cover - VS-08-SD-F

1652606

<https://www.phoenixcontact.com/pc/products/1652606>



Please be informed that the data shown in this PDF document is generated from our Online Catalog. Please find the complete data in the user documentation. Our General Terms of Use for Downloads are valid.

Protective cover, IP67, flat design, to cover the contact insert in the panel mounting frame, color: gray



Protective cover - VS-08-SD-F



1652606

<https://www.phoenixcontact.com/pc/products/1652606>

Commercial Data

| | |
|--------------------------------------|---------------------|
| Item number | 1652606 |
| Packing unit | 5 pc |
| Minimum order quantity | 1 pc |
| Product Key | ABNDDZ |
| Catalog Page | Page 453 (C-2-2019) |
| GTIN | 4017918953034 |
| Weight per Piece (including packing) | 3.58 g |
| Weight per Piece (excluding packing) | 3 g |
| Customs tariff number | 39235090 |
| Country of origin | DE |

Protective cover - VS-08-SD-F

1652606

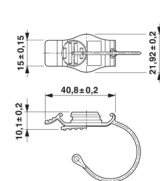
<https://www.phoenixcontact.com/pc/products/1652606>

Technical Data

Product properties

| | |
|--------------------|------------------|
| Product type | Protective cover |
| Connection profile | RJ45 |
| Locking type | without |

Dimensions

| | |
|---------------------|--|
| Dimensional drawing |  |
| Width | 22 mm |
| Height | 10 mm |
| Length | 55 mm |

Material specifications

| | |
|--|---------------------|
| Color | gray |
| Material | Plastic |
| Flammability rating according to UL 94 | V0 |
| Sealing material | EDPM, self-greasing |
| Seal material, O-ring | EDPM, self-greasing |
| Housing material | PA |

Environmental and real-life conditions

Ambient conditions

| | |
|---|------------------|
| Degree of protection | IP67 |
| Ambient temperature (operation) | -40 °C ... 80 °C |
| Ambient temperature (storage/transport) | -40 °C ... 70 °C |
| Ambient temperature (assembly) | -5 °C ... 55 °C |

Protective cover - VS-08-SD-F

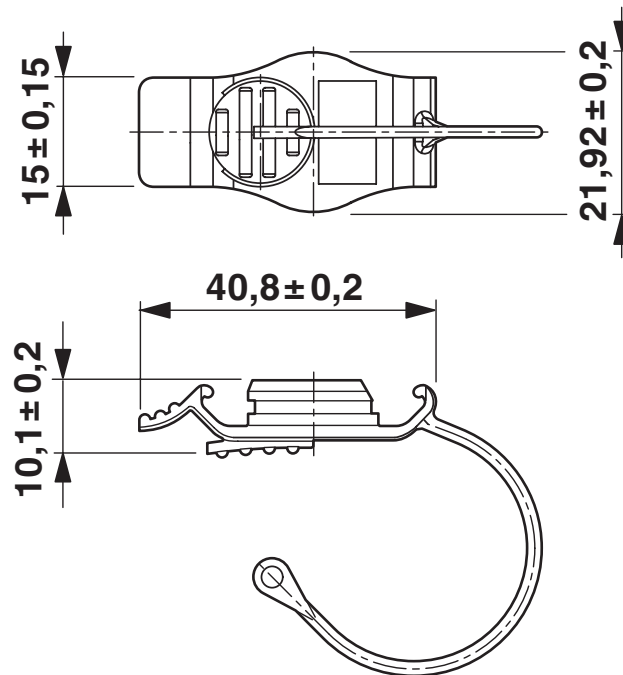
1652606

<https://www.phoenixcontact.com/pc/products/1652606>



Drawings

Dimensional drawing



Protective cover, IP67

Protective cover - VS-08-SD-F

1652606

<https://www.phoenixcontact.com/pc/products/1652606>



Approvals



EAC

Approval ID: B.01687

Protective cover - VS-08-SD-F



1652606

<https://www.phoenixcontact.com/pc/products/1652606>

Classifications

ECLASS

| | |
|---------------|----------|
| ECLASS-9.0 | 27440208 |
| ECLASS-10.0.1 | 27440208 |
| ECLASS-11.0 | 27440208 |

ETIM

| | |
|----------|----------|
| ETIM 8.0 | EC002314 |
|----------|----------|

UNSPSC

| | |
|-------------|----------|
| UNSPSC 21.0 | 39121400 |
|-------------|----------|

Protective cover - VS-08-SD-F

1652606

<https://www.phoenixcontact.com/pc/products/1652606>



Environmental Product Compliance

| | |
|------------|---|
| China RoHS | Environmentally friendly use period: unlimited = EFUP-e |
| | No hazardous substances above threshold values |

Protective cover - VS-08-SD-F

1652606

<https://www.phoenixcontact.com/pc/products/1652606>

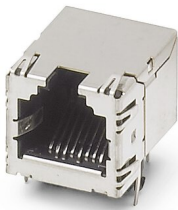


Accessories

RJ45 PCB connectors

RJ45 PCB connectors - VS-08-BU-RJ45-6/LH-1 - 1653087

<https://www.phoenixcontact.com/pc/products/1653087>



RJ45 PCB connectors, type: RJ45, degree of protection: IP20, number of positions: 8, 1 Gbps, CAT5 (IEC 11801:2002), connection method: Wave soldering contacts

Phoenix Contact 2022 © - all rights reserved
<https://www.phoenixcontact.com>

PHOENIX CONTACT GmbH & Co. KG
Flachsmarktstraße 8
D-32825 Blomberg
+49 (0) 5235-3 00
info@phoenixcontact.com