

# Crimp contact - CK1,6-ED-0,37BU AG



1663394

<https://www.phoenixcontact.com/pc/products/1663394>

Please be informed that the data shown in this PDF document is generated from our Online Catalog. Please find the complete data in the user documentation. Our General Terms of Use for Downloads are valid.

---



Turned 1.6 crimp contact, individual female contact, core diameter 0.14 to 0.37 mm<sup>2</sup>, silver-plated

---

# Crimp contact - CK1,6-ED-0,37BU AG



1663394

<https://www.phoenixcontact.com/pc/products/1663394>

## Commercial Data

Item number	1663394
Packing unit	100 pc
Minimum order quantity	1 pc
Product Key	BF7AIA
Catalog Page	Page 507 (C-2-2019)
GTIN	4017918123208
Weight per Piece (including packing)	0.744 g
Weight per Piece (excluding packing)	0.72 g
Customs tariff number	85366990
Country of origin	DE

# Crimp contact - CK1,6-ED-0,37BU AG



1663394

<https://www.phoenixcontact.com/pc/products/1663394>

## Technical Data

### Product properties

Product type	Crimp contact
Type	Individual female contact
Contact type	turned
Series	HC-M-12
	HC-M-EMV
	HC-D
	HC-DD
	VC-D
	HC-M-03/04
	HC-M-17
	HC-K
	HC-Q
	HC-COM

### Mounting

Assembly instructions	At voltages of < 5 V and currents < 5 mA, gold-plated contacts are recommended. The quality of a crimp connection is determined by DIN EN 60352-2.
-----------------------	---

### Material specifications

Contact material	Copper alloy
Contact surface material	silver-plated

### Notes

General	for HC-M-12, HC-M-17, HC-M-03/04, HC-M-EMV, HC-D, HC-DD, HC-Q, and VC-D contact carriers
---------	--

### Dimensions

#### Mechanical characteristics

Contact diameter	1.6 mm
------------------	--------

### Environmental and real-life conditions

#### Ambient conditions

Ambient temperature (operation)	-40 °C ... 125 °C
---------------------------------	-------------------

# Crimp contact - CK1,6-ED-0,37BU AG

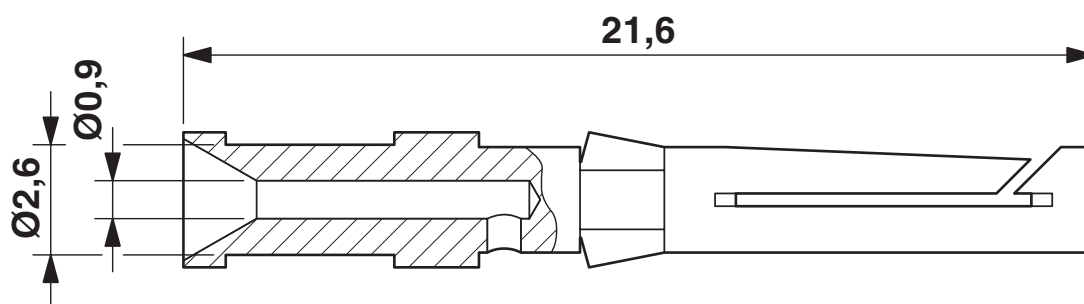


1663394

<https://www.phoenixcontact.com/pc/products/1663394>

## Drawings

Dimensional drawing



Dimensional drawing

# Crimp contact - CK1,6-ED-0,37BU AG



1663394

<https://www.phoenixcontact.com/pc/products/1663394>

## Approvals



**EAC**

Approval ID: RU C-DE.AI30.B.01102



**EAC**

Approval ID: EAC-Zulassung

# Crimp contact - CK1,6-ED-0,37BU AG



1663394

<https://www.phoenixcontact.com/pc/products/1663394>

## Classifications

### ECLASS

ECLASS-9.0	27440204
ECLASS-10.0.1	27440204
ECLASS-11.0	27440204

### ETIM

ETIM 8.0	EC000796
----------	----------

### UNSPSC

UNSPSC 21.0	39121500
-------------	----------

# Crimp contact - CK1,6-ED-0,37BU AG



1663394

<https://www.phoenixcontact.com/pc/products/1663394>

## Environmental Product Compliance

REACH SVHC	Lead 7439-92-1
China RoHS	Environmentally Friendly Use Period = 50 years
	For information on hazardous substances, refer to the manufacturer's declaration available under "Downloads"

# Crimp contact - CK1,6-ED-0,37BU AG



1663394

<https://www.phoenixcontact.com/pc/products/1663394>

## Accessories

### Assembly tool

Assembly tool - UNIFOX MT-CK 1.6/2.5 - 1089092

<https://www.phoenixcontact.com/pc/products/1089092>



Assembly tool, for CK 1.6... crimp contacts for small conductor cross sections

---

### Contact removal tool

Contact removal tool - UNIFOX RT-CK 1.6 - 1072069

<https://www.phoenixcontact.com/pc/products/1072069>



Contact removal tool, for turned and rolled CK- 1.6-... contacts



# Crimp contact - CK1,6-ED-0,37BU AG

1663394

<https://www.phoenixcontact.com/pc/products/1663394>

## Crimp contact

Crimp contact - CK1,6-ED-0,37ST AG - 1663336

<https://www.phoenixcontact.com/pc/products/1663336>



Turned 1.6 crimp contact, individual male contact, core diameter 0.14 to 0.37 mm<sup>2</sup>, silver-plated

---

## Crimping pliers

Crimping pliers - CRIMPFOX-TC 4 - 1212113

<https://www.phoenixcontact.com/pc/products/1212113>



Crimping pliers, for CK 1,6-ED..., CK 2,5-ED..., CK 4,0-ED... turned contacts, 4 marked die stations, unlockable pressure lock, lateral entry, incl. positioning tool

---

Phoenix Contact 2022 © - all rights reserved  
<https://www.phoenixcontact.com>

PHOENIX CONTACT GmbH & Co. KG  
Flachsmarktstraße 8  
D-32825 Blomberg  
+49 (0) 5235-3 00  
[info@phoenixcontact.com](mailto:info@phoenixcontact.com)