

Reducing adapter - REDUC-M-KV-M20/M16



1647611

<https://www.phoenixcontact.com/pc/products/1647611>

Please be informed that the data shown in this PDF document is generated from our Online Catalog. Please find the complete data in the user documentation. Our General Terms of Use for Downloads are valid.

Reducing adapter, material: Brass, nickel-plated, connecting thread: M20 x 1.5, color: silver, with O-ring



Product Description

Reduced M20 to M16

Reducing adapter - REDUC-M-KV-M20/M16



1647611

<https://www.phoenixcontact.com/pc/products/1647611>

Commercial Data

Item number	1647611
Packing unit	10 pc
Minimum order quantity	10 pc
Product Key	BF7DZX
Catalog Page	Page 700 (C-2-2019)
GTIN	4017918941512
Weight per Piece (including packing)	10.25 g
Weight per Piece (excluding packing)	9.9 g
Customs tariff number	74198090
Country of origin	DE

Reducing adapter - REDUC-M-KV-M20/M16



1647611

<https://www.phoenixcontact.com/pc/products/1647611>

Technical Data

Product properties

Product type	Reducing adapter
Seal present	yes

Dimensions

Dimensional drawing	
Width	24.00 mm
Length	9 mm
Length of the connecting thread	6.5 mm
Length without connecting thread	2.5 mm
Connecting thread diameter	20 mm
Hexagon angular dimension	24 mm
Thread type connection side	M20 x 1.5
Thread pitch	1.5 mm
Thread type on seal side	M16

Material specifications

Color	silver
Material	Brass, nickel-plated
Sealing material	NBR (O-ring)
Housing surface material	Nickel

Connector

Material	Brass, nickel-plated
Material	Brass, nickel-plated

Cable / line

Ambient conditions

Halogen-free	no
--------------	----

Environmental and real-life conditions

Ambient conditions

Degree of protection	IP65 (Depends on the screw connection used)
Ambient temperature (operation)	-20 °C ... 80 °C

Mounting

Assembly instructions	With corresponding screw connection: IP68
-----------------------	---

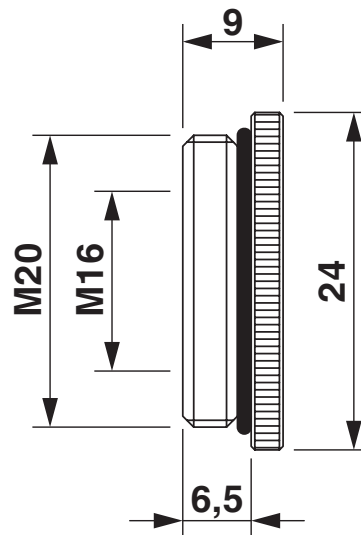
Reducing adapter - REDUC-M-KV-M20/M16

1647611

<https://www.phoenixcontact.com/pc/products/1647611>

Drawings

Dimensional drawing



Dimensional drawing

Reducing adapter - REDUC-M-KV-M20/M16



1647611

<https://www.phoenixcontact.com/pc/products/1647611>

Classifications

ECLASS

ECLASS-9.0	27440201
ECLASS-10.0.1	27440201
ECLASS-11.0	27144492

ETIM

ETIM 8.0	EC000938
----------	----------

UNSPSC

UNSPSC 21.0	31261500
-------------	----------

Reducing adapter - REDUC-M-KV-M20/M16



1647611

<https://www.phoenixcontact.com/pc/products/1647611>

Environmental Product Compliance

REACH SVHC	Lead 7439-92-1
China RoHS	Environmentally Friendly Use Period = 50 years For information on hazardous substances, refer to the manufacturer's declaration available under "Downloads"

Phoenix Contact 2022 © - all rights reserved
<https://www.phoenixcontact.com>

PHOENIX CONTACT GmbH & Co. KG
Flachsmarktstraße 8
D-32825 Blomberg
+49 (0) 5235-3 00
info@phoenixcontact.com