

Contact insert - VC-TFS 8

1852820

<https://www.phoenixcontact.com/pc/products/1852820>



Please be informed that the data shown in this PDF document is generated from our Online Catalog. Please find the complete data in the user documentation. Our General Terms of Use for Downloads are valid.



Contact insert, Range of articles: VARIOCON, Contact insert, housing material: Polyamide, color: light grey, number of positions: 8, min. conductor cross section: 0.14 mm², max. conductor cross section: 1.5 mm², rated voltage: 160, rated current: 10 A, Connection method: Screw connection, Type of contact: Socket. Connectors may only be connected/disconnected when under no load.

Your advantages

- Compact design
- Proven COMBICON technology
- Universal connection
- Can be keyed to prevent incorrect connection

Contact insert - VC-TFS 8

1852820

<https://www.phoenixcontact.com/pc/products/1852820>



Commercial Data

Item number	1852820
Packing unit	50 pc
Minimum order quantity	1 pc
Product Key	ABLACA
Catalog Page	Page 33 (C-2-2013)
GTIN	4017918127152
Weight per Piece (including packing)	7.319 g
Weight per Piece (excluding packing)	6.7 g
Customs tariff number	85366990
Country of origin	PL

Technical Data

Notes

General	Connectors may only be connected/disconnected when under no load.
Safety note	<p data-bbox="847 645 1453 730">WARNING: The connectors may not be plugged in or disconnected under load. Ignoring the warning or improper use may damage persons and/or property.</p> <ul data-bbox="847 743 1453 2123" style="list-style-type: none"><li data-bbox="847 743 1453 857">• WARNING: Commission properly functioning products only. The products must be regularly inspected for damage. Decommission defective products immediately. Replace damaged products. Repairs are not possible.<li data-bbox="847 871 1453 1066">• WARNING: Only electrically qualified personnel may install and operate the product. They must observe the following safety notes. The qualified personnel must be familiar with the basics of electrical engineering. They must be able to recognize and prevent danger. The relevant symbol on the packaging indicates that only personnel familiar with electrical engineering are allowed to install and operate the product.<li data-bbox="847 1079 1453 1137">• The products are suitable for applications in plant, controller, and electrical device engineering.<li data-bbox="847 1151 1453 1209">• When operating the connectors in outdoor applications, they must be separately protected against environmental influences.<li data-bbox="847 1223 1453 1281">• Assembled products may not be manipulated or improperly opened.<li data-bbox="847 1294 1453 1375">• Only use mating connectors that are specified in the technical data of the standards listed (e.g. the ones listed in the product accessories online at phoenixcontact.com/products).<li data-bbox="847 1388 1453 1447">• When using the product in direct connection with third-party manufacturers, the user is responsible.<li data-bbox="847 1460 1453 1518">• For operating voltages > 50 V AC, conductive connector housings must be grounded<li data-bbox="847 1532 1453 1590">• Ensure that the protective or functional ground has been properly connected.<li data-bbox="847 1603 1453 1684">• VDE 0100/1.97 § 411.1.3.2 and DIN EN 60 204/11.98 § 14.1.3 are applicable when combining several circuits in a cable and/or connector<li data-bbox="847 1697 1453 1863">• Observe the corresponding technical data. You will find information:<ul data-bbox="847 1756 1453 1863" style="list-style-type: none"><li data-bbox="847 1756 1453 1785">o On the product<li data-bbox="847 1785 1453 1814">o On the packing label<li data-bbox="847 1814 1453 1843">o In the supplied documentation<li data-bbox="847 1843 1453 1863">o Online at phoenixcontact.com/products under the product<li data-bbox="847 1877 1453 1906">• Only use tools recommended by Phoenix Contact<li data-bbox="847 1919 1453 2000">• The installation notes/Design In documents online on the download page at phoenixcontact.com/products must be observed for this product.<li data-bbox="847 2013 1453 2094">• Use a protective cap to protect connectors that are not in use. The suitable accessories are available online in the accessory section of the product at phoenixcontact.com/products<li data-bbox="847 2107 1453 2130">• Operate the connector only when it is fully plugged in.

Contact insert - VC-TFS 8

1852820

<https://www.phoenixcontact.com/pc/products/1852820>

	<ul style="list-style-type: none">• Ensure that when laying the cable, the tensile load on the connectors does not exceed the upper limit specified in the standards.
	<ul style="list-style-type: none">• Observe the minimum bending radius of the cable. Lay the cable without twisting it.
	<ul style="list-style-type: none">• The connector warms up in normal operation. Depending on the ambient conditions, the surface of the connector can continue to warm up. In this case, the user is responsible for posting warnings (e.g. DIN EN ISO 13732-1:2008-12).

Product properties

Product type	Contact insert
Number of positions	8
Number of module slots	1
Series	VC-M
Insertion force	4 N (per position)

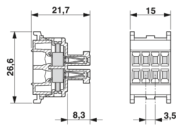
Insulation characteristics

Degree of pollution	3
---------------------	---

Electrical properties

Rated voltage (II/2)	250 V
Rated voltage (III/2)	160 V
Rated voltage (III/3)	160 V
Rated voltage (III/3)	160 V
Rated surge voltage	2.5 kV
Rated surge voltage (III/3)	2.5 kV
Rated surge voltage	2.5 kV
Rated current	10 A
Rated current	10 A
Rated current	10 A

Dimensions

Dimensional drawing	
Width	15 mm
Height	27.5 mm
Length	21.8 mm

Material specifications

Color	light grey
Color of the housing part	gray
Material	Polyamide
Flammability rating according to UL 94	V0

Contact insert - VC-TFS 8



1852820

<https://www.phoenixcontact.com/pc/products/1852820>

Insulating material group	I / CTI 600
Contact material	CuZn
Contact surface material	Tin-plated
Contact carrier material	PA
Housing material	Polyamide

Connector

Insertion/withdrawal cycles	≥ 100
-----------------------------	-------

Cable / line

Cable structure

Single wire, cross section	0.14 mm ² 1.5 mm ² 28 16
Stripping length of the individual wire	7 mm

Mechanical properties

Mechanical data

Insertion force	4 N (per position)
-----------------	--------------------

Environmental and real-life conditions

Ambient conditions

Ambient temperature (operation)	-40 °C ... 100 °C
---------------------------------	-------------------

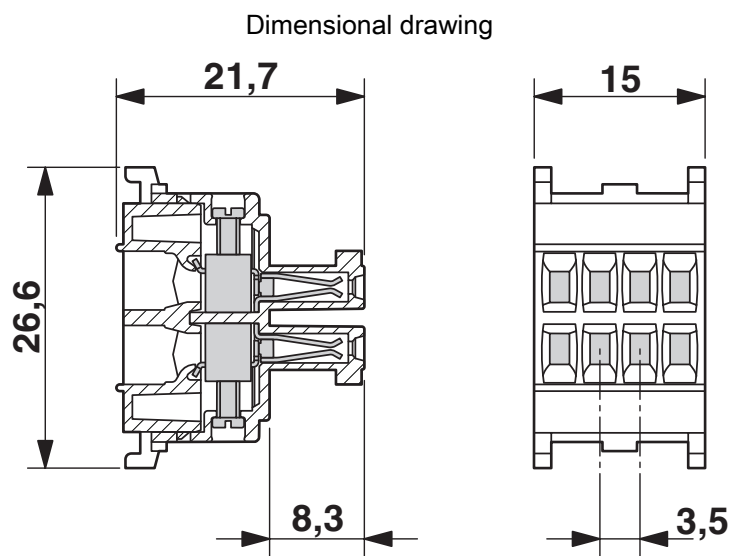
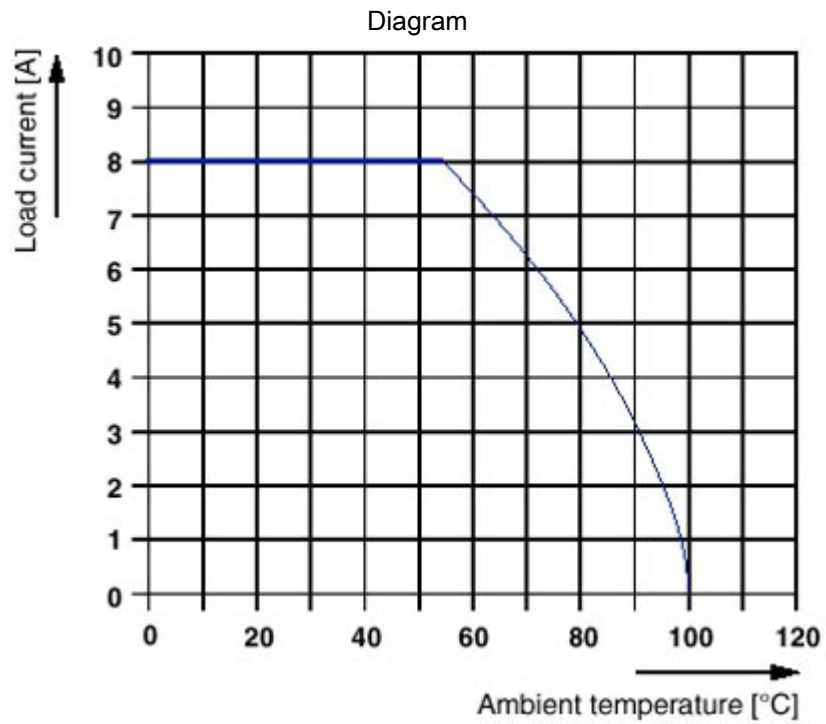
Contact insert - VC-TFS 8

1852820

<https://www.phoenixcontact.com/pc/products/1852820>



Drawings



Contact insert - VC-TFS 8





1852820

<https://www.phoenixcontact.com/pc/products/1852820>

Approvals

 cUL Recognized Approval ID: FILE E 118976				
	Nominal Voltage U_N	Nominal Current I_N	Cross Section AWG	Cross Section mm^2
	250 V	8 A	30 - 14	-

 UL Recognized Approval ID: FILE E 118976				
	Nominal Voltage U_N	Nominal Current I_N	Cross Section AWG	Cross Section mm^2
	250 V	8 A	30 - 14	-

 EAC Approval ID: B.01687	
--	--

cULus Recognized	
-------------------------	--

Contact insert - VC-TFS 8

1852820

<https://www.phoenixcontact.com/pc/products/1852820>



Classifications

ECLASS

ECLASS-9.0	27440205
ECLASS-10.0.1	27440205
ECLASS-11.0	27440223

ETIM

ETIM 8.0	EC003557
----------	----------

UNSPSC

UNSPSC 21.0	39121400
-------------	----------

Contact insert - VC-TFS 8

1852820

<https://www.phoenixcontact.com/pc/products/1852820>



Environmental Product Compliance

China RoHS	Environmentally friendly use period: unlimited = EFUP-e
	No hazardous substances above threshold values

Contact insert - VC-TFS 8

1852820

<https://www.phoenixcontact.com/pc/products/1852820>



Accessories

Marker card

Marker card - SK U/5,0 WH:UNBEDRUCKT - 0803922

<https://www.phoenixcontact.com/pc/products/0803922>



Marker card, Sheet, white, unlabeled, can be labeled with: PLOTMARK, CMS-P1-PLOTTER, Office printing systems, mounting type: adhesive, for terminal block width: 210 mm, lettering field size: 186 x 5 mm, Number of individual labels: 630

Marker card

Marker card - SK U/3,8 WH:UNBEDRUCKT - 0803906

<https://www.phoenixcontact.com/pc/products/0803906>



Marker card, Sheet, white, unlabeled, can be labeled with: PLOTMARK, CMS-P1-PLOTTER, Office printing systems, mounting type: adhesive, for terminal block width: 210 mm, lettering field size: 186 x 3.8 mm, Number of individual labels: 1440

Contact insert - VC-TFS 8

1852820

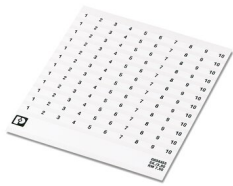
<https://www.phoenixcontact.com/pc/products/1852820>



Marker card

Marker card - SK 7,5/3,8:FORTL.ZAHLEN - 0804455

<https://www.phoenixcontact.com/pc/products/0804455>



Marker card, white, labeled, horizontal: consecutive numbers 1 ... 10, 11 ... 20, etc. up to 91 ... 100, mounting type: adhesive, for terminal block width: 7.5 mm, lettering field size: 7.5 x 3.8 mm

Marker card

Marker card - SK 5/3,8:FORTL.ZAHLEN - 0804183

<https://www.phoenixcontact.com/pc/products/0804183>



Marker card, white, labeled, horizontal: consecutive numbers 1 ... 10, 11 ... 20, etc. up to 91 ... (99)100, mounting type: adhesive, for terminal block width: 5 mm, lettering field size: 5 x 3.8 mm

Contact insert - VC-TFS 8

1852820

<https://www.phoenixcontact.com/pc/products/1852820>



Marker card

Marker card - SK 3,5/2,8:FORTL.ZAHLEN - 0804073

<https://www.phoenixcontact.com/pc/products/0804073>



Marker card, white, labeled, horizontal: consecutive numbers 1 ... 10, 11 ... 20, etc. up to 91 ... 99, mounting type: adhesive, for terminal block width: 3.5 mm, lettering field size: 3.5 x 2.8 mm

Coding profile

Coding profile - CP-MSTB - 1734634

<https://www.phoenixcontact.com/pc/products/1734634>



Coding profile, is inserted into the slot on the plug or inverted header, red insulating material

Contact insert - VC-TFS 8

1852820

<https://www.phoenixcontact.com/pc/products/1852820>



Coding profile

Coding profile - CP-HCC 4 - 1600027

<https://www.phoenixcontact.com/pc/products/1600027>

Coding element, Coding profile, color: red, product range: CODIERUNG



Phoenix Contact 2022 © - all rights reserved

<https://www.phoenixcontact.com>

PHOENIX CONTACT GmbH & Co. KG

Flachsmarktstraße 8

D-32825 Blomberg

+49 (0) 5235-3 00

info@phoenixcontact.com