

RJ45 connector - VS-08-RJ45-5-Q/IP20



1656725

<https://www.phoenixcontact.com/pc/products/1656725>

Please be informed that the data shown in this PDF document is generated from our Online Catalog. Please find the complete data in the user documentation. Our General Terms of Use for Downloads are valid.



RJ45 connector, degree of protection: IP20, number of positions: 8, 1 Gbps, CAT5 (IEC 11801:2002), material: PA, connection method: IDC fast connection, connection cross section: AWG 26- 23, cable outlet: straight, color: traffic grey A RAL 7042, Ethernet

Your advantages

- assembly without special tools
- UL
- GL
- Solid and stranded wires (1- and 7-wire)

RJ45 connector - VS-08-RJ45-5-Q/IP20



1656725

<https://www.phoenixcontact.com/pc/products/1656725>

Commercial Data

Item number	1656725
Packing unit	1 pc
Minimum order quantity	1 pc
Product Key	ABNAAA
Catalog Page	Page 372 (C-2-2019)
GTIN	4046356030045
Weight per Piece (including packing)	10.4 g
Weight per Piece (excluding packing)	10.4 g
Customs tariff number	85366990
Country of origin	CH

RJ45 connector - VS-08-RJ45-5-Q/IP20

1656725

<https://www.phoenixcontact.com/pc/products/1656725>

Technical Data

Product properties

Type	RJ45, IP20
Product type	Data plug
Number of positions	8
Connection profile	RJ45
No. of cable outlets	1
Type	RJ45
Locking type	Locking clips
Shielded	yes
Cable outlet	straight

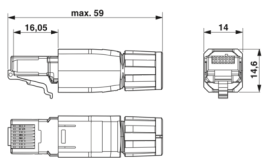
Insulation characteristics

Overvoltage category	I
Degree of pollution	1

Electrical properties

Rated voltage (III/3)	72 V (DC)
Rated surge voltage	330 kV
Rated current	1.75 A
Frequency range	to 100 MHz
Nominal voltage U_N	48 V
Nominal current I_N	1.75 A
Contact resistance	0.001 Ω (Wire – IDC) 0.005 Ω (Litz wires – IDC)

Dimensions

Dimensional drawing	
Width	14 mm
Height	14.6 mm
Length	56 mm

Material specifications

Color	gray
Material	Plastic
Flammability rating according to UL 94	V0
Contact material	Cu/Sn

RJ45 connector - VS-08-RJ45-5-Q/IP20



1656725

<https://www.phoenixcontact.com/pc/products/1656725>

Contact surface material	Au/Ni
Contact carrier material	PC
Cable gland material	PA
Housing material	PA

Connector

Insertion/withdrawal cycles	≥ 1000
-----------------------------	--------

Cable / line

Cable structure

External cable diameter	4.5 mm ... 8 mm
	4.5 mm ... 8 mm
Wire diameter including insulation	1.6 mm

Environmental and real-life conditions

Ambient conditions

Degree of protection	IP20
Ambient temperature (operation)	-20 °C ... 70 °C

RJ45 connector - VS-08-RJ45-5-Q/IP20

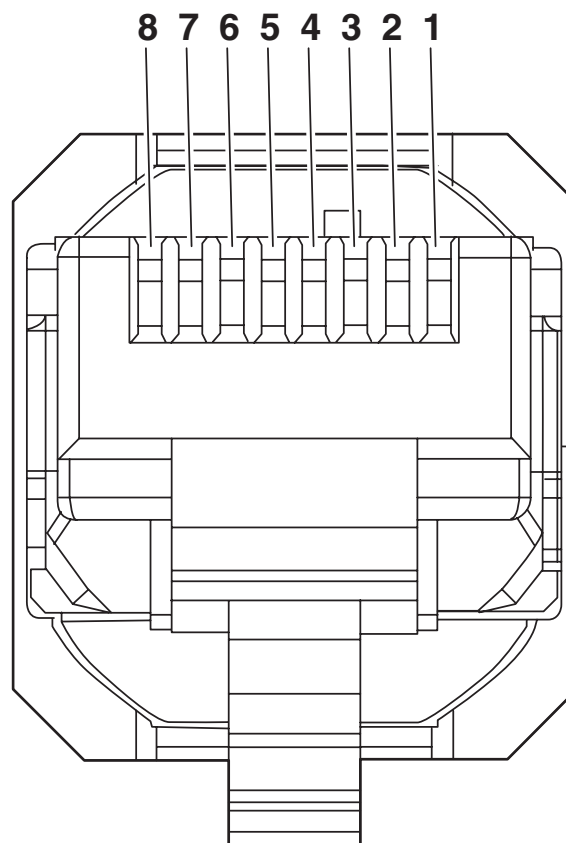
1656725

<https://www.phoenixcontact.com/pc/products/1656725>



Drawings

Schematic diagram

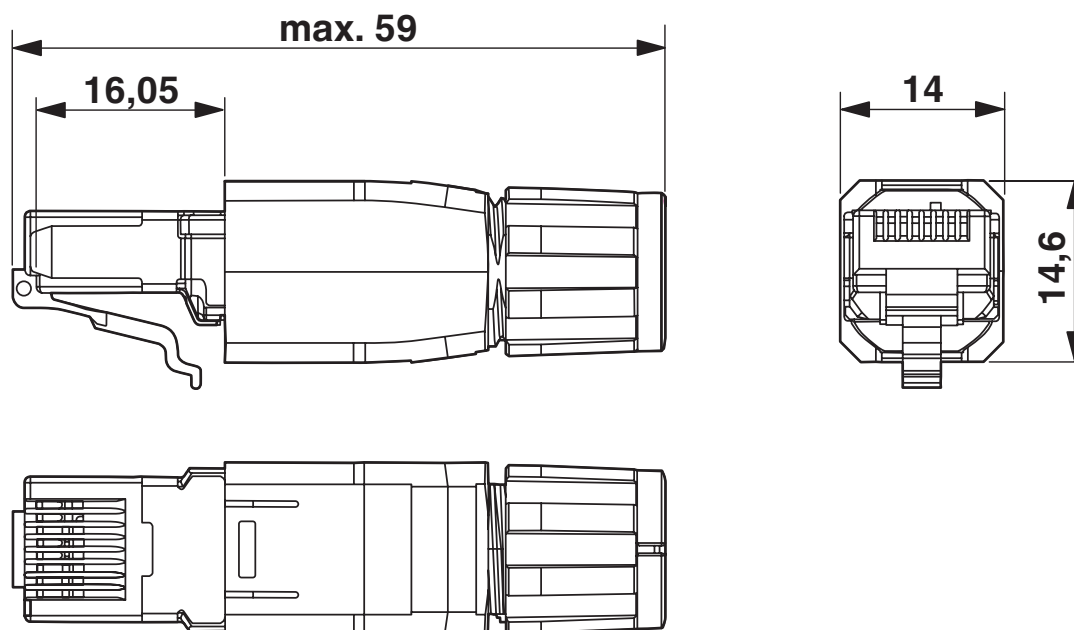


RJ45 connector - VS-08-RJ45-5-Q/IP20

1656725

<https://www.phoenixcontact.com/pc/products/1656725>

Dimensional drawing



RJ45 connector, IP20

RJ45 connector - VS-08-RJ45-5-Q/IP20




1656725


<https://www.phoenixcontact.com/pc/products/1656725>

Approvals

 **EAC**
Approval ID: B.01687

 **DNV GL**
Approval ID: TAE000020F

 **UL Listed**
Approval ID: FILE E 335024

 **cUL Listed**
Approval ID: FILE E 335024

cULus Listed

RJ45 connector - VS-08-RJ45-5-Q/IP20



1656725

<https://www.phoenixcontact.com/pc/products/1656725>

Classifications

ECLASS

ECLASS-9.0	27440101
ECLASS-10.0.1	27440101
ECLASS-11.0	27440101
ECLASS-12.0	27440113

ETIM

ETIM 8.0	EC002636
----------	----------

UNSPSC

UNSPSC 21.0	39121400
-------------	----------

RJ45 connector - VS-08-RJ45-5-Q/IP20



1656725

<https://www.phoenixcontact.com/pc/products/1656725>

Environmental Product Compliance

China RoHS	Environmentally friendly use period: unlimited = EFUP-e
	No hazardous substances above threshold values

RJ45 connector - VS-08-RJ45-5-Q/IP20



1656725

<https://www.phoenixcontact.com/pc/products/1656725>

Accessories

DIN rail adapter

DIN rail adapter - NBC-PP-G1PGY - 1041740

<https://www.phoenixcontact.com/pc/products/1041740>

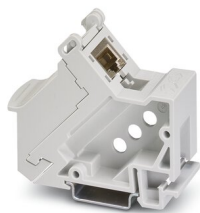


DIN rail adapter, type: Headers with shielding, degree of protection: IP20, material: PC-GF10, without assembled modules

DIN rail adapter

DIN rail adapter - CUC-PP-D1PGY/R4GC8 - 1418094

<https://www.phoenixcontact.com/pc/products/1418094>



DIN rail adapter, type: RJ45, degree of protection: IP20, number of positions: 8, 1 Gbps, CAT6, material: PC-GF, connection method: Coupling, color: gray

RJ45 connector - VS-08-RJ45-5-Q/IP20

1656725

<https://www.phoenixcontact.com/pc/products/1656725>

RJ45 coding rings

RJ45 coding rings - VS-08-RJ45-Q-COD-SET - 1656893

<https://www.phoenixcontact.com/pc/products/1656893>

Coding set, for color encoding of the RJ45 QUICKON connector, consisting of 80 color rings, 10 rings each in the colors: white, blue, red, green, yellow, violet, brown, gray



Network cable

Network cable - VS-OE-OE-93B-100,0 - 1416389

<https://www.phoenixcontact.com/pc/products/1416389>

Network cable, PROFINET CAT5 (100 Mbps), 4-position, shielded, free cable end, on free cable end, cable length: 100 m



RJ45 connector - VS-08-RJ45-5-Q/IP20

1656725

<https://www.phoenixcontact.com/pc/products/1656725>

Network cable

Network cable - VS-OE-OE-93B/... - 1417362

<https://www.phoenixcontact.com/pc/products/1417362>



Network cable, PROFINET CAT5 (100 Mbps), 4-position, shielded, free cable end, on free cable end, cable length: Free entry (0.5 ... 400 m)

Network cable

Network cable - VS-OE-OE-94B-100,0 - 1416567

<https://www.phoenixcontact.com/pc/products/1416567>



Network cable, Ethernet CAT5 (1 Gbps), 8-position halogen-free, shielded, free cable end, on free cable end, cable length: 100 m

RJ45 connector - VS-08-RJ45-5-Q/IP20

1656725

<https://www.phoenixcontact.com/pc/products/1656725>

Network cable

Network cable - VS-OE-OE-94B/... - 1417333

<https://www.phoenixcontact.com/pc/products/1417333>



Network cable, Ethernet CAT5 (1 Gbps), 8-position halogen-free, shielded, free cable end, on free cable end, cable length: Free entry (0.5 ... 400 m)

Stripping tool

Stripping tool - VS-CABLE-STRIP-VARIO - 1657407

<https://www.phoenixcontact.com/pc/products/1657407>

Stripping tool, for the multi-level stripping of shielded cables



RJ45 connector - VS-08-RJ45-5-Q/IP20

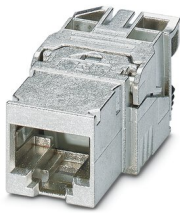
1656725

<https://www.phoenixcontact.com/pc/products/1656725>

RJ45 socket insert

RJ45 socket insert - CUC-I-J1ZNI-S/R4IDC8 - 1417274

<https://www.phoenixcontact.com/pc/products/1417274>

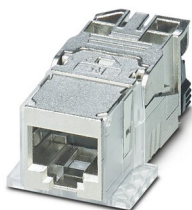


RJ45 socket insert, type: RJ45, degree of protection: IP20, number of positions: 8, 10 Gbps, CAT6_A, material: Zinc die-cast, connection method: IDC connection, connection cross section: AWG 26- 22, cable outlet: straight, Adapter-free design

RJ45 socket insert

RJ45 socket insert - CUC-F-J1ZNI-S/R4IDC8 - 1418984

<https://www.phoenixcontact.com/pc/products/1418984>



RJ45 socket insert, type: RJ45, degree of protection: IP20, number of positions: 8, 10 Gbps, CAT6_A, material: Zinc die-cast, connection method: IDC connection, connection cross section: AWG 26- 22, Freenet design for use with IP67 panel mounting frame and terminal outlets

RJ45 connector - VS-08-RJ45-5-Q/IP20



1656725

<https://www.phoenixcontact.com/pc/products/1656725>

RJ45 socket insert

RJ45 socket insert - CUC-K-J1ZNI-S/R4IDC8 - 1419021

<https://www.phoenixcontact.com/pc/products/1419021>



RJ45 socket insert, type: RJ45, degree of protection: IP20, number of positions: 8, 10 Gbps, CAT6_A, material: Zinc die-cast, connection method: IDC connection, connection cross section: AWG 26- 22, Keystone design for use with IP20 panel mounting frame or integrated directly into the housing panel

Phoenix Contact 2022 © - all rights reserved

<https://www.phoenixcontact.com>

PHOENIX CONTACT GmbH & Co. KG

Flachsmarktstraße 8

D-32825 Blomberg

+49 (0) 5235-3 00

info@phoenixcontact.com