

# Patch panels - FL-PP-RJ45-SCC



2901642

<https://www.phoenixcontact.com/pc/products/2901642>

Please be informed that the data shown in this PDF document is generated from our Online Catalog. Please find the complete data in the user documentation. Our General Terms of Use for Downloads are valid.



Patch panel, one RJ45 jack to 8 spring-force connection terminal blocks (1:1 assignment), CAT5e, 10/100/1000 Mbps, DIN rail adapter, IP20, option of shield contacting to the DIN rail via jumpers

## Product Description

Ethernet patch panels enable quick and easy connection between the field cabling and control cabinet cabling. The passive termination panels are a convenient alternative to the on-site assembly of RJ45 connectors.

## Your advantages

- Safe shield connection to ground potential
- Mounting on a DIN rail
- CAT5e
- 10/100/1000 Mbps
- Optional shield connection via jumpers
- Shipbuilding approval in accordance with DNV GL
- PoE-capable in accordance with IEEE 802.3bt, type 4

## Commercial Data

Item number	2901642
Packing unit	10 pc
Minimum order quantity	1 pc
Product Key	DNC331
Catalog Page	Page 363 (C-6-2019)
GTIN	4046356623384
Weight per Piece (including packing)	56.073 g
Weight per Piece (excluding packing)	56.073 g
Customs tariff number	85366990
Country of origin	DE

## Technical Data

### Notes

#### Utilization restriction

CCCex note	Use in potentially explosive areas is not permitted in China.
------------	---

### Product properties

Product type	Patch panel
MTBF	6702 Years (Telcordia standard, 25°C temperature, 21% operating cycle (5 days a week, 8 hours a day))
	2962 Years (Telcordia standard, 40°C temperature, 34.25% operating cycle (5 days a week, 12 hours a day))

### Interfaces

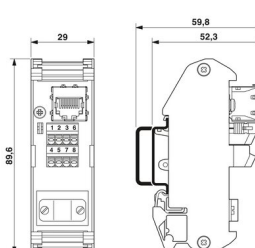
Data: Ethernet interface, 10/100/1000Base-T(X) in accordance with IEEE 802.3

Serial transmission speed	10/100/1000 Mbps
Connection method	Spring-cage connection
No. of channels	1
Pin assignment	1:1
Transmission length	100 m (including patch cables)
Conductor cross section flexible max.	1 mm <sup>2</sup>
Conductor cross section flexible min.	0.2 mm <sup>2</sup>
Conductor cross section solid max.	1.5 mm <sup>2</sup>
Conductor cross section solid min.	0.2 mm <sup>2</sup>
Single-wire/terminal point, solid AWG max.	16
Single-wire/terminal point, solid AWG min.	24

Data: Ethernet interface, 10/100/1000Base-T(X) in accordance with IEEE 802.3

Connection method	RJ45 CAT5e
No. of channels	1

### Dimensions

Dimensional drawing	
Width	29 mm
Height	90 mm
Depth	53 mm

2901642

<https://www.phoenixcontact.com/pc/products/2901642>

## Material specifications

Material	PVC / PA (Housing)
----------	--------------------

## Cable / line

External cable diameter	6 mm ... 10 mm
Cable impedance	100 Ω

## Mechanical properties

### Mechanical data

Insertion/withdrawal cycles	≤ 2500
-----------------------------	--------

## Environmental and real-life conditions

### Ambient conditions

Degree of protection	IP20
Ambient temperature (operation)	-25 °C ... 70 °C
Ambient temperature (storage/transport)	-25 °C ... 85 °C
Ambient temperature (assembly)	-10 °C ... 70 °C
Permissible humidity (operation)	25 % ... 95 % (non-condensing)

## Approval data

### EAC

Identification	EAC
----------------	-----

### ATEX

Identification	<input type="checkbox"/> II 3 G Ex ec IIC Gc
Certificate	PxCIF14ATEX2901642U
Note	Please follow the special installation instructions in the documentation!

### UKCA Ex (UKEX)

Identification	<input type="checkbox"/> II 3 G Ex ec IIC Gc
Certificate	PxCIMA21UKEX2901642U

### Corrosive gas test

Identification	ISA-S71.04-1985 G3 Harsh Group A
----------------	----------------------------------

### Shipbuilding

Identification	DNV GL
----------------	--------

### DNV GL data

Temperature	B
Humidity	A
Vibration	A
EMC	B
Enclosure	Required protection according to the Rules shall be provided

# Patch panels - FL-PP-RJ45-SCC



2901642

<https://www.phoenixcontact.com/pc/products/2901642>

	upon installation on board
--	----------------------------

## Mounting

Mounting type	DIN rail mounting
---------------	-------------------

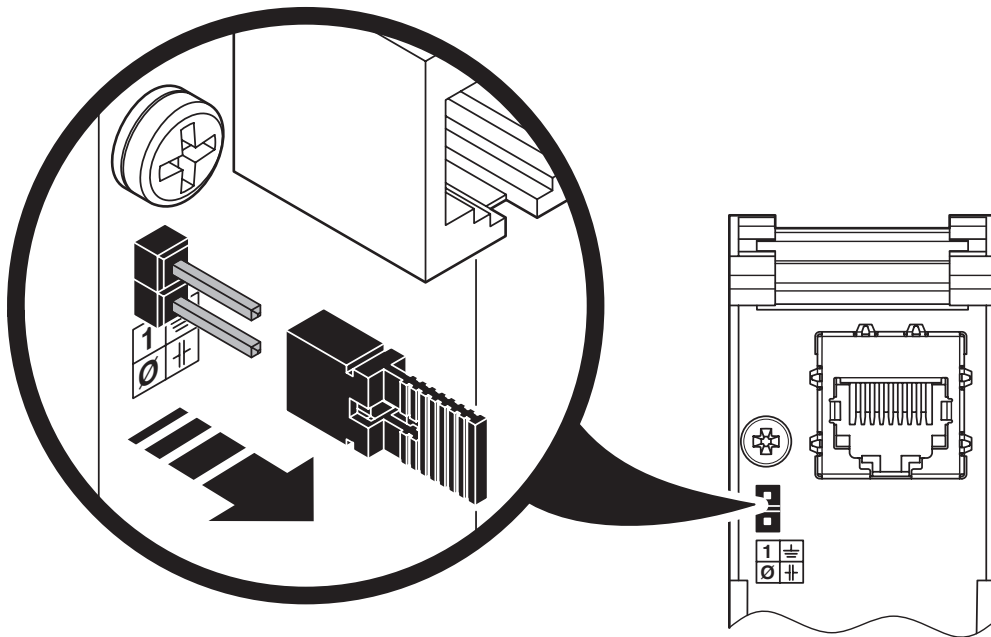
# Patch panels - FL-PP-RJ45-SCC

2901642

<https://www.phoenixcontact.com/pc/products/2901642>

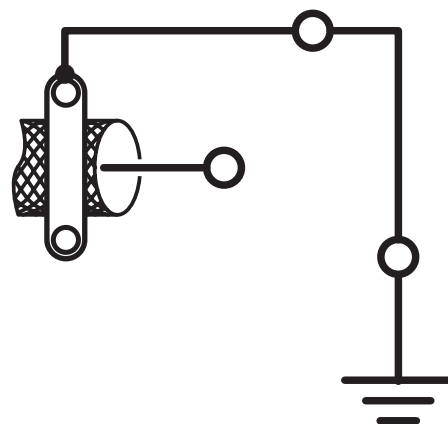
## Drawings

Schematic diagram



Shield connection to PE via RC element

Circuit diagram



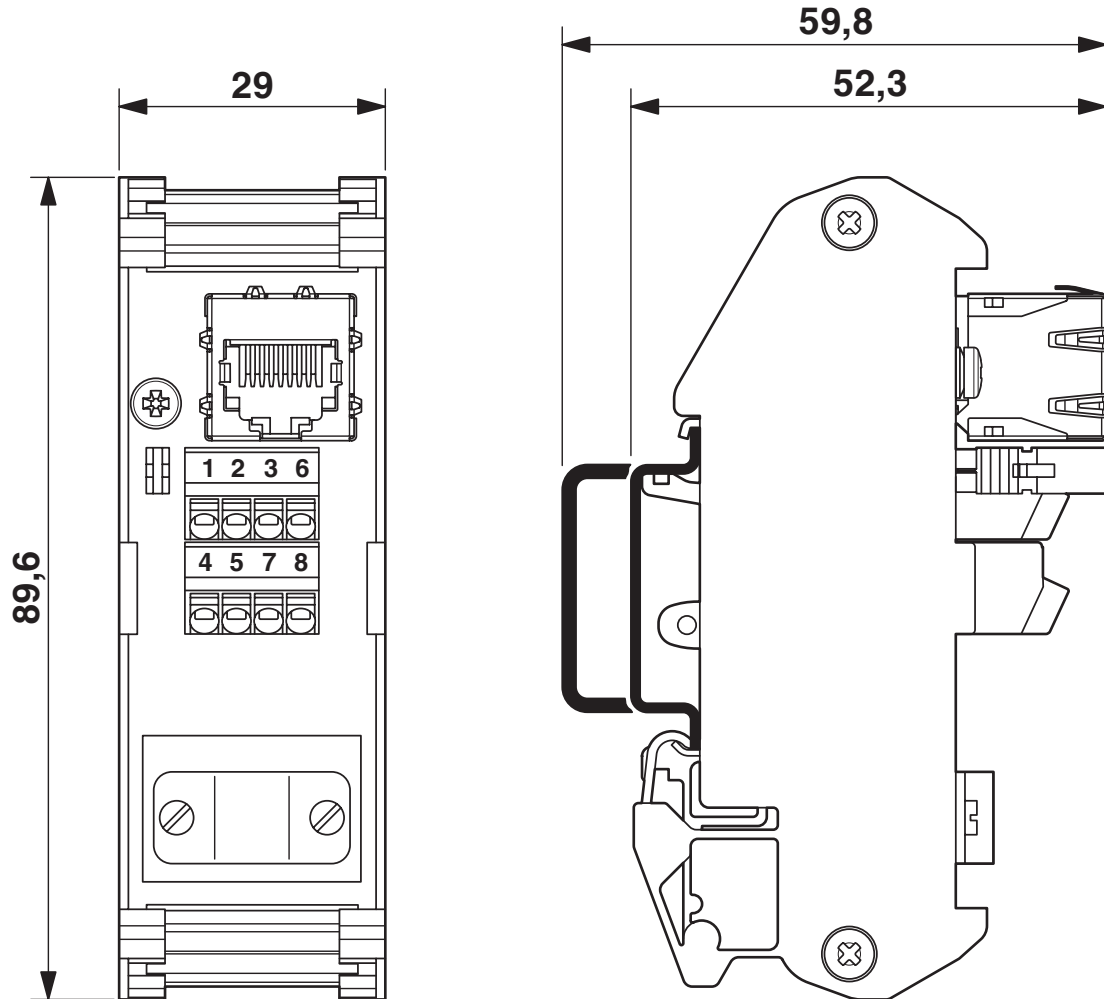
# Patch panels - FL-PP-RJ45-SCC

2901642

<https://www.phoenixcontact.com/pc/products/2901642>



Dimensional drawing



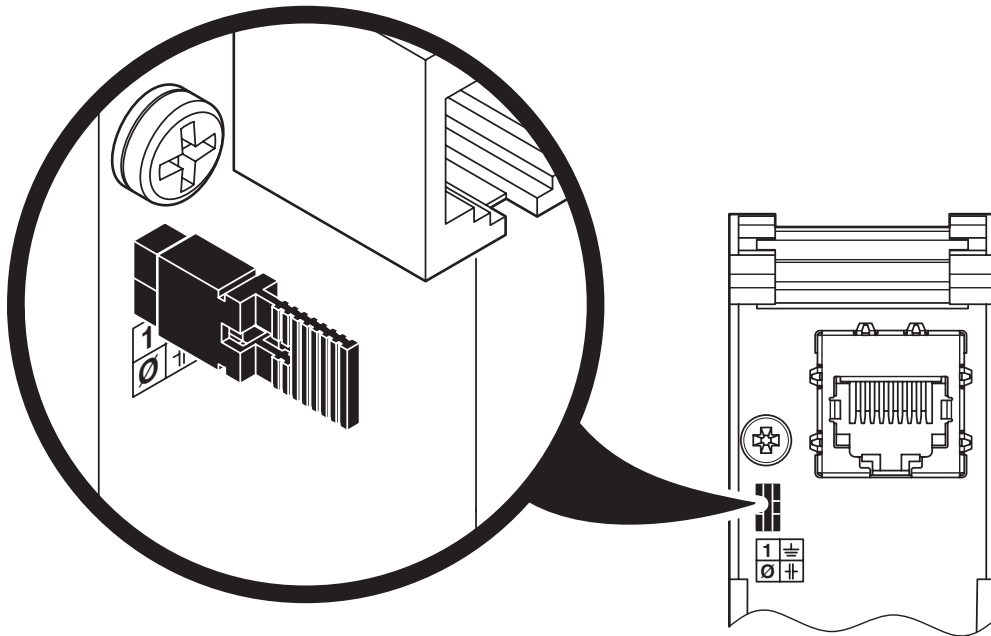
Dimensional drawing

# Patch panels - FL-PP-RJ45-SCC

2901642

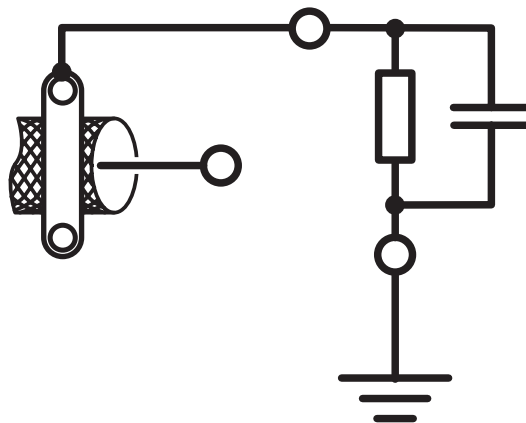
<https://www.phoenixcontact.com/pc/products/2901642>

Schematic diagram



Shield connection direct to PE

Circuit diagram



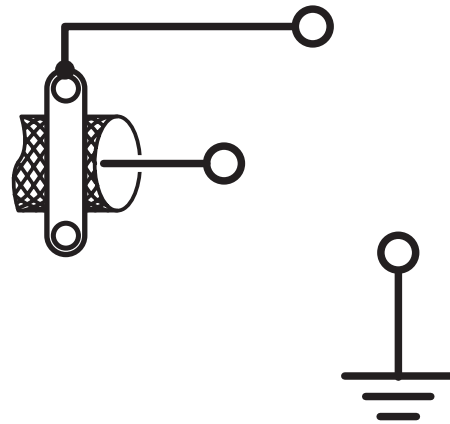
# Patch panels - FL-PP-RJ45-SCC

2901642

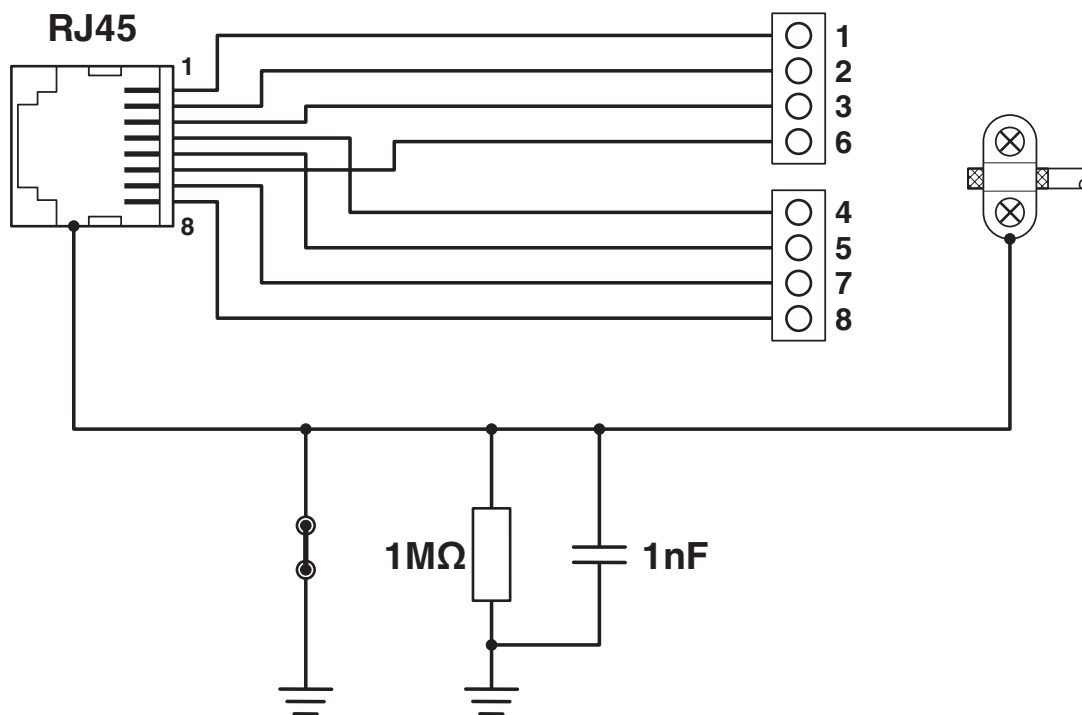
<https://www.phoenixcontact.com/pc/products/2901642>



Circuit diagram



Circuit diagram





# Patch panels - FL-PP-RJ45-SCC



2901642

<https://www.phoenixcontact.com/pc/products/2901642>

## Approvals



**EAC**

Approval ID: RU D-DE.GB09.B.00312



**DNV GL**

Approval ID: TAA00001KR

Nominal Voltage  $U_N$

Nominal Current  $I_N$

Cross Section AWG

Cross Section  $\text{mm}^2$

-

-



**ATEX**

Approval ID: PxCIF16ATEX2901642X

# Patch panels - FL-PP-RJ45-SCC



2901642

<https://www.phoenixcontact.com/pc/products/2901642>

## Classifications

### ECLASS

ECLASS-9.0	19170112
ECLASS-10.0.1	19170112
ECLASS-11.0	19170112

### ETIM

ETIM 8.0	EC001128
----------	----------

### UNSPSC

UNSPSC 21.0	43223309
-------------	----------

# Patch panels - FL-PP-RJ45-SCC



2901642

<https://www.phoenixcontact.com/pc/products/2901642>

## Environmental Product Compliance

REACH SVHC	Lead 7439-92-1
China RoHS	Environmentally Friendly Use Period = 50 years
	For information on hazardous substances, refer to the manufacturer's declaration available under "Downloads"

# Patch panels - FL-PP-RJ45-SCC

2901642

<https://www.phoenixcontact.com/pc/products/2901642>



## Accessories

### Assembly tool

Assembly tool - FL CRIMPTOOL - 2744869

<https://www.phoenixcontact.com/pc/products/2744869>

Crimping pliers, for assembling the RJ45 plugs FL PLUG RJ45..., for assembly on site



---

### Screwdriver

Screwdriver - SZF 0-0,4X2,5 - 1204504

<https://www.phoenixcontact.com/pc/products/1204504>

Actuation tool, for ST terminal blocks, also suitable for use as a bladed screwdriver, size: 0.4 x 2.5 x 75 mm, 2-component grip, with non-slip grip



# Patch panels - FL-PP-RJ45-SCC

2901642

<https://www.phoenixcontact.com/pc/products/2901642>

## Network isolator

Network isolator - FL ISOLATOR 100-RJ/SC - 2313928

<https://www.phoenixcontact.com/pc/products/2313928>



Passive network isolator for electrical isolation in Ethernet networks. This protects Ethernet devices from potential differences of up to 4 kV. Can be used for transmission speeds of up to 100 Mbps. Connection using RJ45 and COMBICON plug-in screw terminal block.

---

## Network isolator

Network isolator - FL ISOLATOR 100-RJ/RJ - 2313931

<https://www.phoenixcontact.com/pc/products/2313931>



Passive network isolator for electrical isolation in Ethernet networks. This protects Ethernet devices from potential differences of up to 4 kV. Can be used for transmission speeds of up to 100 Mbps. Possible to connect two RJ45 plugs.

# Patch panels - FL-PP-RJ45-SCC

2901642

<https://www.phoenixcontact.com/pc/products/2901642>

## Network isolator

Network isolator - FL ISOLATOR 1000-RJ/RJ - 2313915

<https://www.phoenixcontact.com/pc/products/2313915>



Passive network isolator for electrical isolation in Ethernet networks. This protects Ethernet devices from potential differences of up to 4 kV. Can be used for transmission speeds of up to 1 Gbps. Possible to connect two RJ45 plugs.

---

## Network isolator

Network isolator - FL ISOLATOR 100-M12 - 2902985

<https://www.phoenixcontact.com/pc/products/2902985>



Passive network isolator for electrical isolation in Ethernet networks. For the protection of Ethernet devices against potential differences of up to 4 kV. Can be used for transmission speeds of up to 100 Mbps. Ethernet connection via two M12 sockets (D-coded).

# Patch panels - FL-PP-RJ45-SCC

2901642

<https://www.phoenixcontact.com/pc/products/2901642>

## Patch cable

Patch cable - FL CAT5 PATCH 0,3 - 2832250

<https://www.phoenixcontact.com/pc/products/2832250>



Patch cable, CAT5, assembled, 0.3 m

---

## Patch cable

Patch cable - FL CAT5 PATCH 0,5 - 2832263

<https://www.phoenixcontact.com/pc/products/2832263>



Patch cable, CAT5, assembled, 0.5 m

# Patch panels - FL-PP-RJ45-SCC

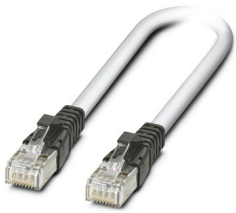
2901642

<https://www.phoenixcontact.com/pc/products/2901642>

## Patch cable

Patch cable - FL CAT5 PATCH 1,0 - 2832276

<https://www.phoenixcontact.com/pc/products/2832276>



Patch cable, CAT5, assembled, 1 m

---

## Patch cable

Patch cable - FL CAT5 PATCH 1,5 - 2832221

<https://www.phoenixcontact.com/pc/products/2832221>



Patch cable, CAT5, assembled, 1.5 m



# Patch panels - FL-PP-RJ45-SCC

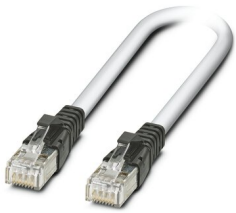
2901642

<https://www.phoenixcontact.com/pc/products/2901642>

## Patch cable

Patch cable - FL CAT5 PATCH 2,0 - 2832289

<https://www.phoenixcontact.com/pc/products/2832289>



Patch cable, CAT5, assembled, 2 m

---

## Patch cable

Patch cable - FL CAT5 PATCH 3,0 - 2832292

<https://www.phoenixcontact.com/pc/products/2832292>



Patch cable, CAT5, assembled, 3 m

# Patch panels - FL-PP-RJ45-SCC

2901642

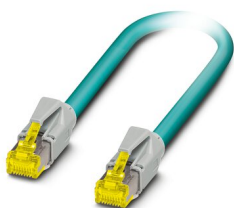
<https://www.phoenixcontact.com/pc/products/2901642>



## Patch cable

Patch cable - NBC-R4AC-R4AC-IE8A/.../... - 1411854

<https://www.phoenixcontact.com/pc/products/1411854>



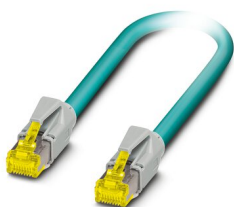
Patch cable, degree of protection: IP20, number of positions: 8, 10 Gbps, CAT6<sub>A</sub>, cable outlet: straight, Ethernet

---

## Patch cable

Patch cable - NBC-R4AC/10G-R4AC/10G-94F/2,0 - 1408360

<https://www.phoenixcontact.com/pc/products/1408360>



Patch cable, CAT6<sub>A</sub>, 4-pair, shielded, connection not crossed (line), assembled at both ends with RJ45/IP20 connectors, outer sheath material: PUR, length: 2.0 m

# Patch panels - FL-PP-RJ45-SCC

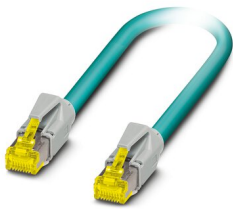
2901642

<https://www.phoenixcontact.com/pc/products/2901642>

## Patch cable

Patch cable - NBC-R4AC/10G-R4AC/10G-94F/3,0 - 1408365

<https://www.phoenixcontact.com/pc/products/1408365>



Patch cable, CAT6<sub>A</sub>, 4-pair, shielded, connection not crossed (line), assembled at both ends with RJ45/IP20 connectors, outer sheath material: PUR, length: 3.0 m

---

## Patch cable

Patch cable - NBC-R4AC/1,0-93B/R4AC - 1408968

<https://www.phoenixcontact.com/pc/products/1408968>



Patch cable, degree of protection: IP20, cable length: 1 m, number of positions: 4, 100 Mbps, CAT5, material: PA 6.6, PROFINET

# Patch panels - FL-PP-RJ45-SCC

2901642

<https://www.phoenixcontact.com/pc/products/2901642>



## Patch cable

Patch cable - NBC-R4AC/2,0-93B/R4AC - 1408969

<https://www.phoenixcontact.com/pc/products/1408969>



Patch cable, degree of protection: IP20, cable length: 2 m, number of positions: 4, 100 Mbps, CAT5, material: PA 6.6, PROFINET

---

## RJ45 connector

RJ45 connector - VS-08-RJ45-10G/Q - 1419001

<https://www.phoenixcontact.com/pc/products/1419001>



RJ45 connector, IP20, CAT6<sub>A</sub>, 8-pos., with QUICKON fast connection technology, for 26 ... 24 AWG 1-wire and 7-wire conductors, color: black

# Patch panels - FL-PP-RJ45-SCC

2901642

<https://www.phoenixcontact.com/pc/products/2901642>

## RJ45 connector

RJ45 connector - VS-PN-RJ45-5-Q/IP20 - 1658435

<https://www.phoenixcontact.com/pc/products/1658435>



RJ45 connector, type: RJ45, degree of protection: IP20, number of positions: 4, 100 Mbps, CAT5 (IEC 11801:2002), material: Plastic, connection method: IDC fast connection, cable outlet: straight, color: traffic grey A RAL 7042, PROFINET

---

## Stripping tool

Stripping tool - VS-CABLE-STRIP-VARIO - 1657407

<https://www.phoenixcontact.com/pc/products/1657407>

Stripping tool, for the multi-level stripping of shielded cables



# Patch panels - FL-PP-RJ45-SCC

2901642

<https://www.phoenixcontact.com/pc/products/2901642>

## RJ45 connector

RJ45 connector - VS-08-RJ45-5-Q/IP20 - 1656725

<https://www.phoenixcontact.com/pc/products/1656725>



RJ45 connector, degree of protection: IP20, number of positions: 8, 1 Gbps, CAT5 (IEC 11801:2002), material: Plastic, connection method: IDC fast connection, connection cross section: AWG 26- 23, cable outlet: straight, color: traffic grey A RAL 7042, Ethernet

---

## RJ45 connector

RJ45 connector - VS-08-RJ45-5-Q/IP20 BK - 1658008

<https://www.phoenixcontact.com/pc/products/1658008>



RJ45 connector, type: RJ45, degree of protection: IP20, number of positions: 8, 1 Gbps, CAT5 (IEC 11801:2002), material: Plastic, connection method: IDC fast connection, connection cross section: AWG 26- 23, cable outlet: straight, color: black, Ethernet

# Patch panels - FL-PP-RJ45-SCC

2901642

<https://www.phoenixcontact.com/pc/products/2901642>

## Patch panels

Patch panels - FL-PP-RJ45-SC - 2901643

<https://www.phoenixcontact.com/pc/products/2901643>



Patch panel, one RJ45 jack to 8 screw connection terminal blocks (1:1 assignment), CAT5e, 10/100/1000 Mbps, DIN rail adapter, IP20, option of shield contacting to the DIN rail via jumpers

---

## Patch panels

Patch panels - FL-PP-RJ45-LSA - 2901645

<https://www.phoenixcontact.com/pc/products/2901645>



Patch panel, one RJ45 jack to 8 LSA connection terminal blocks (1:1 assignment), CAT5e, 10/100/1000 Mbps, DIN rail adapter, IP20, option of shield contacting to the DIN rail via bridges

# Patch panels - FL-PP-RJ45-SCC

2901642

<https://www.phoenixcontact.com/pc/products/2901642>



## Patch panels

Patch panels - FL-PP-RJ45/RJ45 - 2901646

<https://www.phoenixcontact.com/pc/products/2901646>



Patch panel, two RJ45 jacks (1:1 assignment), CAT5e, 10/100/1000 Mbps, DIN rail adapter, IP20, option of shield contacting to the DIN rail via jumpers

---

Phoenix Contact 2022 © - all rights reserved

<https://www.phoenixcontact.com>

PHOENIX CONTACT GmbH & Co. KG

Flachsmarktstraße 8

D-32825 Blomberg

+49 (0) 5235-3 00

[info@phoenixcontact.com](mailto:info@phoenixcontact.com)