

Crimp contact - CK2,5-ED-0,50ST AG



1663572

<https://www.phoenixcontact.com/pc/products/1663572>

Please be informed that the data shown in this PDF document is generated from our Online Catalog. Please find the complete data in the user documentation. Our General Terms of Use for Downloads are valid.



Crimp contact, contact diameter: 2.5 mm, turned, Pin, contact material: Copper alloy, contact surface: silver-plated, connection cross section: 0.5 mm² ... 0.5 mm², AWG 20

Crimp contact - CK2,5-ED-0,50ST AG



1663572

<https://www.phoenixcontact.com/pc/products/1663572>

Commercial Data

Item number	1663572
Packing unit	100 pc
Minimum order quantity	1 pc
Product Key	BF7AID
Catalog Page	Page 509 (C-2-2019)
GTIN	4017918123383
Weight per Piece (including packing)	1.336 g
Weight per Piece (excluding packing)	1.336 g
Customs tariff number	74152900
Country of origin	DE

Crimp contact - CK2,5-ED-0,50ST AG



1663572

<https://www.phoenixcontact.com/pc/products/1663572>

Technical Data

Product properties

Product type	Crimp contact
Type	Individual male contact
Contact type	turned
Series	HC-M-06
	HC-M-HV
	HC-M-08
	HC-A
	HC-BB
	HC-B
	HC-HV
	HC-M-20
	HC-K
	HC-Q
	HC-COM

Mounting

Assembly instructions	The quality of a crimp connection is determined by DIN EN 60352-2.
-----------------------	--

Material specifications

Contact material	Copper alloy
Contact surface material	silver-plated

Notes

General	for HC-M-06..., HC-M-HV-, HC-M-08-, HC-M-20-, HC-A..., HC-B., HC-BB..., HC-BBB..., and HC-HV contact carriers
---------	---

Dimensions

Mechanical characteristics

Contact diameter	2.5 mm
------------------	--------

Environmental and real-life conditions

Ambient conditions

Ambient temperature (operation)	-40 °C ... 125 °C
---------------------------------	-------------------

Crimp contact - CK2,5-ED-0,50ST AG

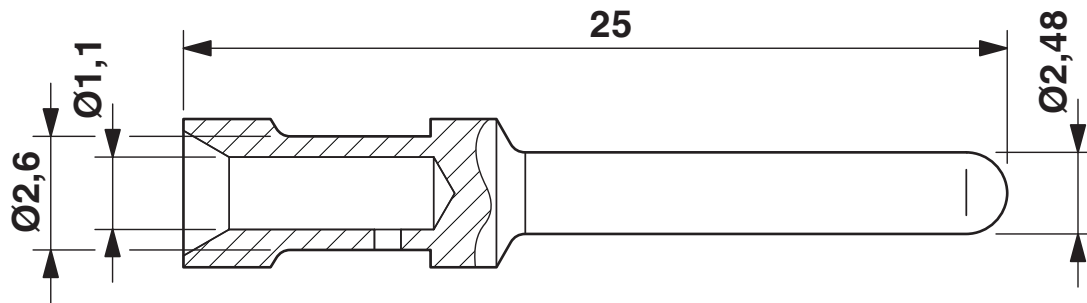


1663572

<https://www.phoenixcontact.com/pc/products/1663572>

Drawings

Dimensional drawing



Crimp contact - CK2,5-ED-0,50ST AG



1663572

<https://www.phoenixcontact.com/pc/products/1663572>

Classifications

ECLASS

ECLASS-9.0	27440204
ECLASS-10.0.1	27440204
ECLASS-11.0	27440204

ETIM

ETIM 8.0	EC000796
----------	----------

UNSPSC

UNSPSC 21.0	39121500
-------------	----------

Crimp contact - CK2,5-ED-0,50ST AG



1663572

<https://www.phoenixcontact.com/pc/products/1663572>

Environmental Product Compliance

REACH SVHC	Lead 7439-92-1
China RoHS	Environmentally Friendly Use Period = 50 years
	For information on hazardous substances, refer to the manufacturer's declaration available under "Downloads"

Crimp contact - CK2,5-ED-0,50ST AG

1663572

<https://www.phoenixcontact.com/pc/products/1663572>



Accessories

Assembly tool

Assembly tool - UNIFOX MT-CK 1.6/2.5 - 1089092

<https://www.phoenixcontact.com/pc/products/1089092>

Assembly tool, for CK 1.6... crimp contacts for small conductor cross sections



Contact removal tool

Contact removal tool - UNIFOX RT-CK 2.5 - 1072067

<https://www.phoenixcontact.com/pc/products/1072067>

Contact removal tool, for turned CK 2,5... contacts



Crimp contact - CK2,5-ED-0,50ST AG

1663572

<https://www.phoenixcontact.com/pc/products/1663572>

Crimp contact

Crimp contact - CK2,5-ED-0,50BU AG - 1663640

<https://www.phoenixcontact.com/pc/products/1663640>



Crimp contact, contact diameter: 2.5 mm, turned, Socket, contact material: Copper alloy, contact surface: silver-plated, connection cross section: 0.5 mm² ... 0.5 mm², AWG 20

Crimping pliers with digital display

Crimping pliers with digital display - CRIMPFOX-TC MP-6 - 1202888

<https://www.phoenixcontact.com/pc/products/1202888>



Crimping tool, for turned contacts, universal cross-section setting, up to a maximum of 6.0 mm², digital display with 0.01 mm increments, pressure lock can be unlocked, positioning tool necessary as an accessory for contact positioning

Crimp contact - CK2,5-ED-0,50ST AG



1663572

<https://www.phoenixcontact.com/pc/products/1663572>

Crimping pliers

Crimping pliers - CRIMPFOX-TC 4 - 1212113

<https://www.phoenixcontact.com/pc/products/1212113>



Crimping pliers, for CK 1,6-ED..., CK 2,5-ED..., CK 4,0-ED... turned contacts, 4 marked die stations, unlockable pressure lock, lateral entry, incl. positioning tool

Phoenix Contact 2022 © - all rights reserved

<https://www.phoenixcontact.com>

PHOENIX CONTACT GmbH & Co. KG

Flachsmarktstraße 8

D-32825 Blomberg

+49 (0) 5235-3 00

info@phoenixcontact.com