

Contact insert - HC-D 15-I-CT-M

1584376

<https://www.phoenixcontact.com/pc/products/1584376>



Please be informed that the data shown in this PDF document is generated from our Online Catalog. Please find the complete data in the user documentation. Our General Terms of Use for Downloads are valid.

HEAVYCON male insert, D15 series, 15-pos., crimp connection



Your advantages

- Can be used in rail vehicles, satisfy DIN EN 45545-2 with requirement sets R22, R23, and R24 in hazard levels HL1, HL2, and HL3.

Contact insert - HC-D 15-I-CT-M

1584376

<https://www.phoenixcontact.com/pc/products/1584376>



Commercial Data

Item number	1584376
Packing unit	1 pc
Minimum order quantity	1 pc
Product Key	BF7ABE
Catalog Page	Page 523 (C-2-2019)
GTIN	4046356142632
Weight per Piece (including packing)	26.04 g
Weight per Piece (excluding packing)	25.9 g
Customs tariff number	85389099
Country of origin	CN

Contact insert - HC-D 15-I-CT-M

1584376

<https://www.phoenixcontact.com/pc/products/1584376>

Technical Data

Notes

General	For HC-D15 housing, crimp contacts CK1,6-ED (crimp contacts not included in scope of supply)
General	Connectors may be operated only when there is no load/voltage.
General	It is imperative that guide pins (HC-CST) and sockets (HC-CBU) are used to prevent tip collision due to misalignment.

Product properties

Type	D15
Product type	Contact insert with a fixed no. of positions
Number of positions	15
Note number of positions	15+PE
Connection profile	15+PE
Number of connections per position	1
Contact type	turned
	rolled
Series	HC-D

Insulation characteristics

Overvoltage category	III
Degree of pollution	3

Connection data

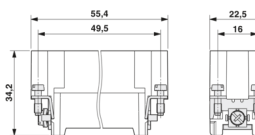
Connection technology

Connection technology	Crimp connection
Number of connections per position	1
Connection in acc. with standard	IEC / EN

Conductor connection

Connection cross section AWG	26 ... 14
Stripping length of the individual wire	8 mm (0.14 ... 1.5 mm ²)
	6 mm (2.5 mm ²)

Dimensions

Dimensional drawing	
Width	22.5 mm
Height	34.2 mm
Length	55.4 mm

Contact insert - HC-D 15-I-CT-M



1584376

<https://www.phoenixcontact.com/pc/products/1584376>

Drill hole distance, horizontal	49.5 mm
Drill hole distance, vertical	16 mm

Mechanical characteristics

Contact diameter	1.6 mm
------------------	--------

Electrical properties

Rated voltage (III/3)	250 V
Rated surge voltage	4 kV
Rated current	10 A
SCCR	5 kA (UL 2237)

Material specifications

Flammability rating according to UL 94	V0
Contact material	Copper alloy
Contact surface material	Ag (alternatively Au)
Contact carrier material	PC
Standards/regulations	PC: Fire protection in rail vehicles - requirement sets R22, R23, and R24 acc. to DIN EN 45545-2 (Risk level HL1 - HL3)

Connector

Insertion/withdrawal cycles	≥ 500
-----------------------------	-------

Cable / line

Cable structure

Stripping length of the individual wire	8 mm (0.14 ... 1.5 mm ²)
	6 mm (2.5 mm ²)

Mounting

Assembly instructions	To ensure correct use, installation in housing with IP54 protection or better is required
-----------------------	---

Ambient conditions

Ambient temperature (operation)	-40 °C ... 125 °C (including heating up of contacts)
---------------------------------	--

Standards and regulations

Constructional and testing regulations	DIN VDE 0627/86
	DIN VDE 0110/02.79
	DIN VDE 0110-1/04.97
	IEC 60664-1, DIN IEC 60512
	IEC 60352
Tests	DIN VDE 0627/86
	DIN VDE 0110/02.79
	DIN VDE 0110-1/04.97
	IEC 60664-1, DIN IEC 60512

Contact insert - HC-D 15-I-CT-M



1584376

<https://www.phoenixcontact.com/pc/products/1584376>

	IEC 60352
--	-----------

Testing

Standards/regulations	PC: Fire protection in rail vehicles - requirement sets R22, R23, and R24 acc. to DIN EN 45545-2 (Risk level HL1 - HL3)
-----------------------	---

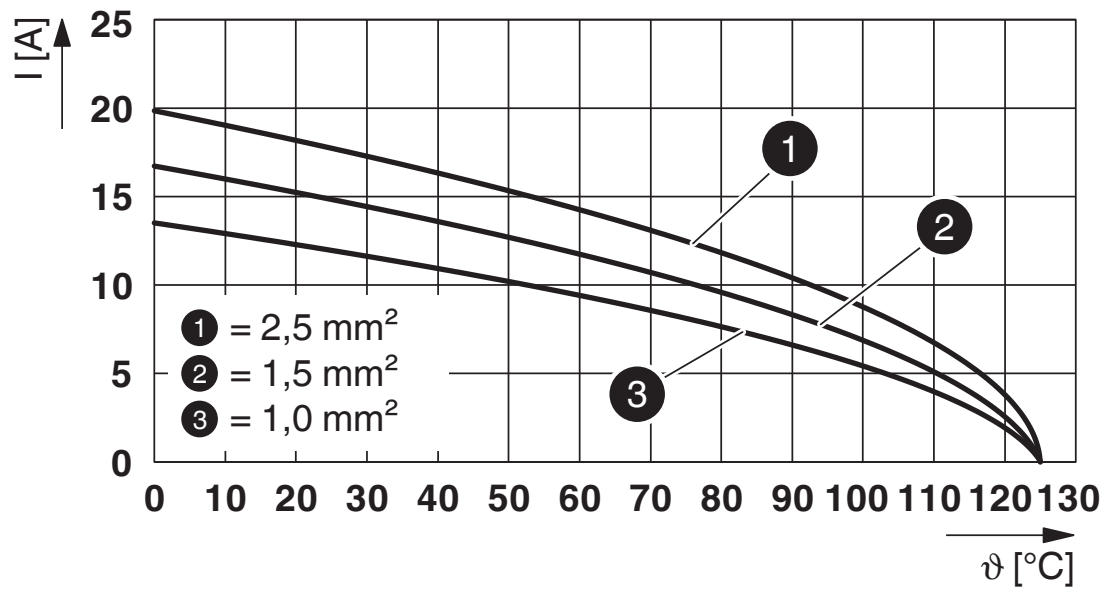
Contact insert - HC-D 15-I-CT-M

1584376

<https://www.phoenixcontact.com/pc/products/1584376>

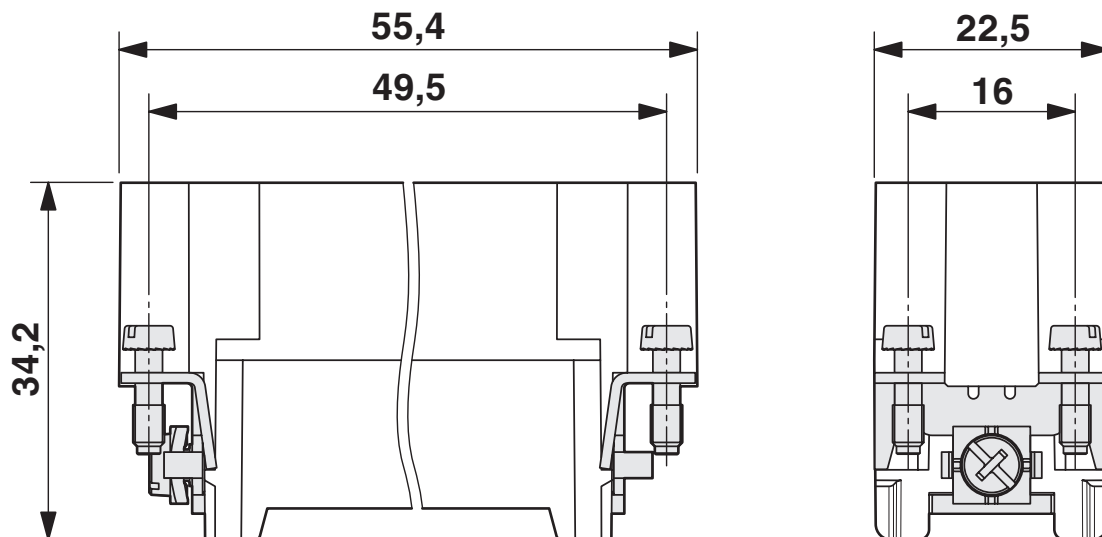
Drawings

Diagram



Derating diagram turned contacts

Dimensional drawing



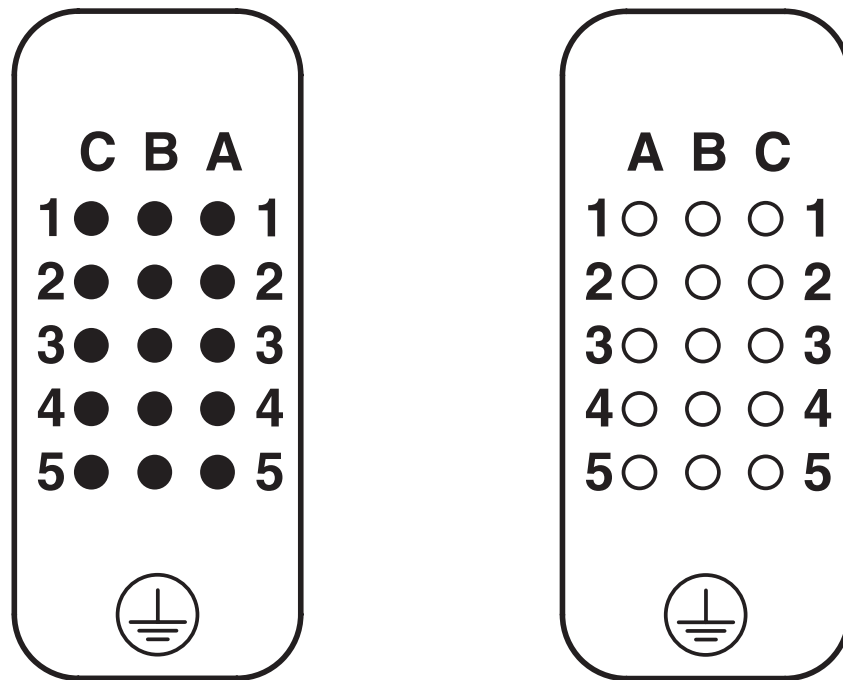
Male insert

Contact insert - HC-D 15-I-CT-M

1584376

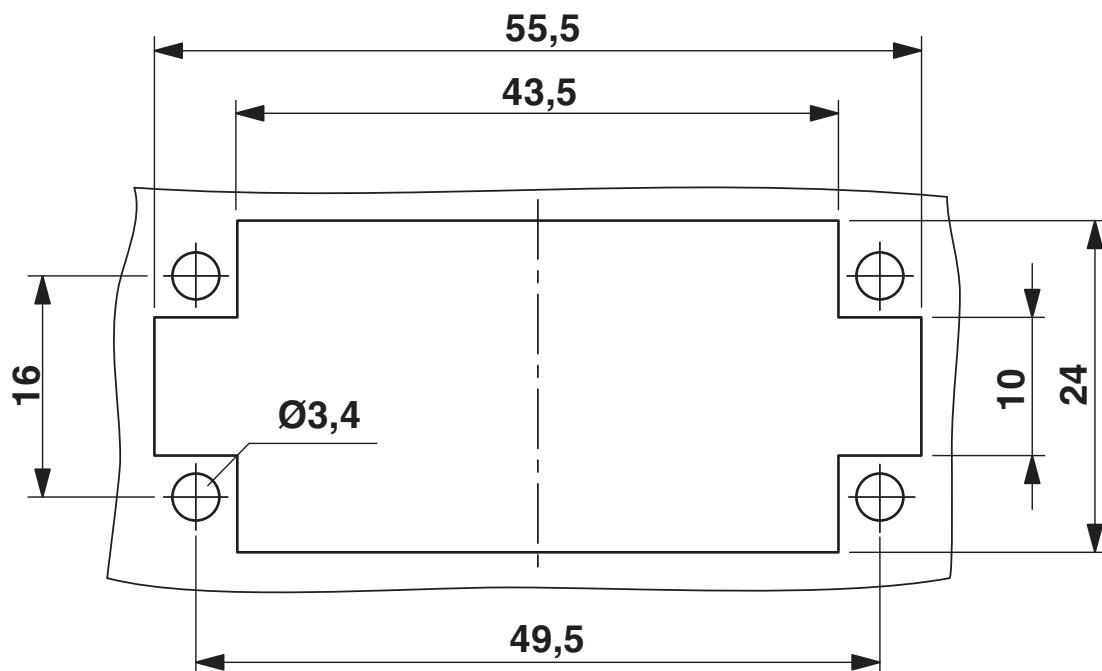
<https://www.phoenixcontact.com/pc/products/1584376>

Schematic diagram



Connector pin assignment connection side: Left pin; right socket

Dimensional drawing



Mounting cutout when used without housing

Contact insert - HC-D 15-I-CT-M



1584376

<https://www.phoenixcontact.com/pc/products/1584376>

Approvals

DNV

Approval ID: TAE000037S



CSA

Approval ID: 13631

Nominal Voltage U_N	Nominal Current I_N	Cross Section AWG	Cross Section mm^2
600 V	8 A	- 14	-



UL Recognized

Approval ID: FILE E 118976

Nominal Voltage U_N	Nominal Current I_N	Cross Section AWG	Cross Section mm^2
600 V	10 A	-	-



EAC

Approval ID: RU C-DE.AI30.B.01102



UL Recognized

Approval ID: E468743

Nominal Voltage U_N	Nominal Current I_N	Cross Section AWG	Cross Section mm^2
600 V	10 A	-	-



EAC

Approval ID: RU C-DE.BL08.B.00511

Contact insert - HC-D 15-I-CT-M



1584376

<https://www.phoenixcontact.com/pc/products/1584376>

Classifications

ECLASS

ECLASS-9.0	27440205
ECLASS-10.0.1	27440205
ECLASS-11.0	27440205

ETIM

ETIM 8.0	EC000438
----------	----------

UNSPSC

UNSPSC 21.0	39121500
-------------	----------

Contact insert - HC-D 15-I-CT-M



1584376

<https://www.phoenixcontact.com/pc/products/1584376>

Environmental Product Compliance

China RoHS	Environmentally friendly use period: unlimited = EFUP-e
	No hazardous substances above threshold values

Contact insert - HC-D 15-I-CT-M

1584376

<https://www.phoenixcontact.com/pc/products/1584376>



Accessories

Coding bolt

Coding bolt - HC-CB - 1772722

<https://www.phoenixcontact.com/pc/products/1772722>



Coding pin, prevents mismatching of up to six connectors with an identical number of positions

Assembly tool

Assembly tool - UNIFOX MT-CK 1.6/2.5 - 1089092

<https://www.phoenixcontact.com/pc/products/1089092>



Assembly tool, for CK 1.6... crimp contacts for small conductor cross sections

Contact insert - HC-D 15-I-CT-M

1584376

<https://www.phoenixcontact.com/pc/products/1584376>



Male contact

Male contact - CK1,6-ED-ST-POF - 1884995

<https://www.phoenixcontact.com/pc/products/1884995>



POF fiber optic pin contact, turned, for contact carriers (HC-DD...I-CT.../ HC-M-12-CT-.../ HC-M-17-CT-...) of CK1,6-ED... contacts

Screw

Screw - HC-A-PES - 1584868

<https://www.phoenixcontact.com/pc/products/1584868>



PE screw for contact inserts of A series

Contact insert - HC-D 15-I-CT-M

1584376

<https://www.phoenixcontact.com/pc/products/1584376>



Contact insert

Contact insert - HC-D 15-I-CT-F - 1584389

<https://www.phoenixcontact.com/pc/products/1584389>

HEAVYCON female insert, D15 series, 15-pos., crimp connection



Contact removal tool

Contact removal tool - UNIFOX RT-CK 1.6 - 1072069

<https://www.phoenixcontact.com/pc/products/1072069>

Contact removal tool, for turned and rolled CK- 1.6-... contacts



Contact insert - HC-D 15-I-CT-M

1584376

<https://www.phoenixcontact.com/pc/products/1584376>



Adapter

Adapter - HC-A-PE-PT - 1054712

<https://www.phoenixcontact.com/pc/products/1054712>



PE adapter with PT connection, for 1 PE connection, for HC-A10 / HC-A16 / HC-D15 / HC-D25 series contact inserts

Coding element

Coding element - HC-CST - 1676857

<https://www.phoenixcontact.com/pc/products/1676857>



Coding peg for coding up to 16 connectors

Contact insert - HC-D 15-I-CT-M

1584376

<https://www.phoenixcontact.com/pc/products/1584376>



Coding element

Coding element - HC-CBU - 1676860

<https://www.phoenixcontact.com/pc/products/1676860>



Coding socket for coding up to 16 connectors

Crimp contact

Crimp contact - CK1,6-ED-0,37ST AG - 1663336

<https://www.phoenixcontact.com/pc/products/1663336>



Turned 1.6 crimp contact, individual male contact, core diameter 0.14 to 0.37 mm², silver-plated

Contact insert - HC-D 15-I-CT-M

1584376

<https://www.phoenixcontact.com/pc/products/1584376>



Crimp contact

Crimp contact - CK1,6-ED-0,50ST AG - 1663349

<https://www.phoenixcontact.com/pc/products/1663349>



Crimp contact, contact diameter: 1.6 mm, turned, Pin, contact material: Cu alloy, nickel-plated, contact surface: silver-plated, connection cross section: 0.5 mm² ... 0.5 mm², AWG 20

Crimp contact

Crimp contact - CK1,6-ED-0,75ST AG - 1663352

<https://www.phoenixcontact.com/pc/products/1663352>



Crimp contact, contact diameter: 1.6 mm, turned, Pin, contact material: Copper alloy, contact surface: silver-plated, connection cross section: 0.75 mm² ... 0.75 mm², AWG 18

Contact insert - HC-D 15-I-CT-M

1584376

<https://www.phoenixcontact.com/pc/products/1584376>



Crimp contact

Crimp contact - CK1,6-ED-1,00ST AG - 1663365

<https://www.phoenixcontact.com/pc/products/1663365>



Crimp contact, contact diameter: 1.6 mm, turned, Pin, contact material: Copper alloy, contact surface: silver-plated, connection cross section: 1 mm² ... 1 mm², AWG 18

Crimp contact

Crimp contact - CK1,6-ED-1,50ST AG - 1663378

<https://www.phoenixcontact.com/pc/products/1663378>



Turned 1.6 crimp contact, individual female contact, core diameter 1.5 mm², silver-plated

Contact insert - HC-D 15-I-CT-M

1584376

<https://www.phoenixcontact.com/pc/products/1584376>



Crimp contact

Crimp contact - CK1,6-ED-2,50ST AG - 1663381

<https://www.phoenixcontact.com/pc/products/1663381>



Turned 1.6 crimp contact, individual male contact, core diameter 2.5 mm², silver-plated

Crimp contact

Crimp contact - CK1,6-ED-0,37ST AU - 1674901

<https://www.phoenixcontact.com/pc/products/1674901>



Turned 1.6 crimp contact, individual male contact, core diameter 0.14 to 0.37 mm², silver-plated

Contact insert - HC-D 15-I-CT-M

1584376

<https://www.phoenixcontact.com/pc/products/1584376>



Crimp contact

Crimp contact - CK1,6-ED-0,50ST AU - 1672453

<https://www.phoenixcontact.com/pc/products/1672453>



Crimp contact, contact diameter: 1.6 mm, turned, Pin, contact material: Copper alloy, contact surface: gold-plated, connection cross section: 0.5 mm² ... 0.5 mm², AWG 20

Crimp contact

Crimp contact - CK1,6-ED-0,75ST AU - 1674914

<https://www.phoenixcontact.com/pc/products/1674914>



Crimp contact, contact diameter: 1.6 mm, turned, Pin, contact material: Copper alloy, contact surface: gold-plated, connection cross section: 0.75 mm² ... 0.75 mm², AWG 18

Contact insert - HC-D 15-I-CT-M

1584376

<https://www.phoenixcontact.com/pc/products/1584376>



Crimp contact

Crimp contact - CK1,6-ED-1,00ST AU - 1674888

<https://www.phoenixcontact.com/pc/products/1674888>



Crimp contact, contact diameter: 1.6 mm, turned, Pin, contact material: Copper alloy, contact surface: gold-plated, connection cross section: 1 mm² ... 1 mm², AWG 18

Crimp contact

Crimp contact - CK1,6-ED-1,50ST AU - 1674875

<https://www.phoenixcontact.com/pc/products/1674875>



Turned 1.6 crimp contact, individual female contact, core diameter 1.5 mm², silver-plated

Contact insert - HC-D 15-I-CT-M

1584376

<https://www.phoenixcontact.com/pc/products/1584376>



Crimp contact

Crimp contact - CK1,6-ED-2,50ST AU - 1674927

<https://www.phoenixcontact.com/pc/products/1674927>



Turned 1.6 crimp contact, individual female contact, core diameter 2.5 mm², gold-plated

Crimp contact

Crimp contact - CK1,6-ER-1,00ST OIC AG - 1004360

<https://www.phoenixcontact.com/pc/products/1004360>



Crimp contact, contact diameter: 1.6 mm, rolled, Pin, contact material: Cu alloy, nickel-plated, contact surface: silver-plated, connection cross section: 0.34 mm² ... 1 mm², AWG 22 ... 17

Contact insert - HC-D 15-I-CT-M

1584376

<https://www.phoenixcontact.com/pc/products/1584376>



Crimp contact

Crimp contact - CK1,6-ER-2,50ST OIC AG - 1004365

<https://www.phoenixcontact.com/pc/products/1004365>



Crimp contact, contact diameter: 1.6 mm, rolled, Pin, contact material: Cu alloy, nickel-plated, contact surface: silver-plated, connection cross section: 1.5 mm² ... 2.5 mm², AWG 16 ... 14

Crimp contact

Crimp contact - CK1,6-BR-1,00ST OIC AG - 1004380

<https://www.phoenixcontact.com/pc/products/1004380>



Crimp contact, contact diameter: 1.6 mm, rolled, Pin, contact material: Cu alloy, nickel-plated, contact surface: silver-plated, connection cross section: 0.34 mm² ... 1 mm², AWG 22 ... 17, Taped products

Contact insert - HC-D 15-I-CT-M

1584376

<https://www.phoenixcontact.com/pc/products/1584376>



Crimp contact

Crimp contact - CK1,6-BR-2,50ST OIC AG - 1004382

<https://www.phoenixcontact.com/pc/products/1004382>



Crimp contact, contact diameter: 1.6 mm, rolled, Pin, contact material: Cu alloy, nickel-plated, contact surface: silver-plated, connection cross section: 1.5 mm² ... 2.5 mm², AWG 16 ... 14, Taped products

Crimping pliers

Crimping pliers - CRIMPFOX-1,6/2,5-ED-4,0 - 1687419

<https://www.phoenixcontact.com/pc/products/1687419>



Crimping pliers, for turned contacts, CK 1.6 ED... and CK 2.5 ED...

Contact insert - HC-D 15-I-CT-M

1584376

<https://www.phoenixcontact.com/pc/products/1584376>



Crimping pliers

Crimping pliers - CRIMPFOX-TC 4 - 1212113

<https://www.phoenixcontact.com/pc/products/1212113>



Crimping pliers, for CK 1,6-ED..., CK 2,5-ED..., CK 4,0-ED... turned contacts, 4 marked die stations, unlockable pressure lock, lateral entry, incl. positioning tool

Crimping pliers with digital display

Crimping pliers with digital display - CRIMPFOX-TC MP-6 - 1202888

<https://www.phoenixcontact.com/pc/products/1202888>



Crimping tool, for turned contacts, universal cross-section setting, up to a maximum of 6.0 mm², digital display with 0.01 mm increments, pressure lock can be unlocked, positioning tool necessary as an accessory for contact positioning

Phoenix Contact 2022 © - all rights reserved
<https://www.phoenixcontact.com>

PHOENIX CONTACT GmbH & Co. KG
Flachsmarktstraße 8
D-32825 Blomberg
+49 (0) 5235-3 00
info@phoenixcontact.com