

Connector - SACC-FS-17PCON SCO



1559644

<https://www.phoenixcontact.com/pc/products/1559644>

Please be informed that the data shown in this PDF document is generated from our Online Catalog. Please find the complete data in the user documentation. Our General Terms of Use for Downloads are valid.



Connector, Universal, 17-position, Socket straight M12 SPEEDCON, Coding: A, Piercecon[®] fast connection, knurl material: Zinc die-cast, nickel-plated, external cable diameter 5.4 mm ... 8.2 mm

Your advantages

- Safe use in the field, thanks to a high degree of protection
- Save time, thanks to installation with SPEEDCON fast locking system
- Piercecon[®] connection: maximum contact density in a connector that can be assembled
- Save space – with high-pos. connectors

Connector - SACC-FS-17PCON SCO



1559644

<https://www.phoenixcontact.com/pc/products/1559644>

Commercial Data

Item number	1559644
Packing unit	1 pc
Minimum order quantity	1 pc
Note	Made to Order (non-returnable)
Product Key	BF2CGA
Catalog Page	Page 26 (C-2-2019)
GTIN	4046356314862
Weight per Piece (including packing)	37.66 g
Weight per Piece (excluding packing)	35.5 g
Customs tariff number	85366990
Country of origin	DE

Technical Data

Notes

Assembly instruction:

NOTE: Observe the permissible bending radii when laying conductors, since the degree of protection may be put in jeopardy if the bending forces are too high. Alleviate mechanical loads upstream of the connector, e.g. by using cable ties.

Product properties

Product type	Circular connector (cable-side)
Number of positions	17
No. of cable outlets	1
Shielded	no
Coding	A - standard
Cable outlet	straight

Insulation characteristics

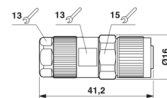
Overvoltage category	II
Degree of pollution	3

Ambient conditions

Degree of protection	IP67
Ambient temperature (operation)	-25 °C ... 85 °C (Plug / socket)

Dimensions

Dimensional drawing



Length 41.2 mm

External dimensions

Outside diameter 5.4 mm ... 8.2 mm

Housing

Diameter housing 16 mm

Connector

Insertion/withdrawal cycles ≥ 100

Header 1

Head design Socket
Head cable outlet straight

Connector - SACC-FS-17PCON SCO



1559644

<https://www.phoenixcontact.com/pc/products/1559644>

Head thread type	M12
Head locking type	SPEEDCON
Coding	A-coded
Number of positions	17
Coding	A - standard
Insertion/withdrawal cycles	≥ 100
Connection method	Piercecon® fast connection
Contact material	CuZn
Contact surface material	Ni/Au
Number of positions	17
Coding	A - standard
Insertion/withdrawal cycles	≥ 100
Connection method	Piercecon® fast connection
Contact material	CuZn
Contact surface material	Ni/Au

Electrical properties

Rated surge voltage	0.8 kV
Contact resistance	≤ 5 mΩ
Insulation resistance	≥ 100 MΩ
Nominal voltage U _N	30 V AC 30 V DC
Nominal current I _N	1.5 A

Material specifications

Flammability rating according to UL 94	V0
Sealing material	FKM
Material of grip body	Zinc die-cast, nickel-plated
Contact material	CuZn
Contact surface material	Ni/Au
Contact carrier material	PA
Cable gland material	Zinc die-cast, nickel-plated
Wire insulation material	PUR / PVC

Connection data

Conductor connection

Connection method	Piercecon® fast connection
Conductor cross section flexible	0.14 mm ² ... 0.14 mm ²
Cross section AWG	26 ... 26

Pin assignment

Contact Color (signal designation) Contact (optional)	1 = BN 2 = BU 3 = WH
---	----------------------------

Connector - SACC-FS-17PCON SCO



1559644

<https://www.phoenixcontact.com/pc/products/1559644>

	4 = GN
	5 = PK
	6 = YE
	7 = BK
	8 = GY
	9 = RD
	10 = VT
	11 = GYPK
	12 = RDBU
	13 = WHGN
	14 = BNGN
	15 = WHYE
	16 = YEBN
	17 = WHGY

Standards and regulations

M12

Standards/specifications	IEC 61076-2-101
--------------------------	-----------------

Cable / line

Cable structure

Signal type/category	Universal
----------------------	-----------

Connector - SACC-FS-17PCON SCO

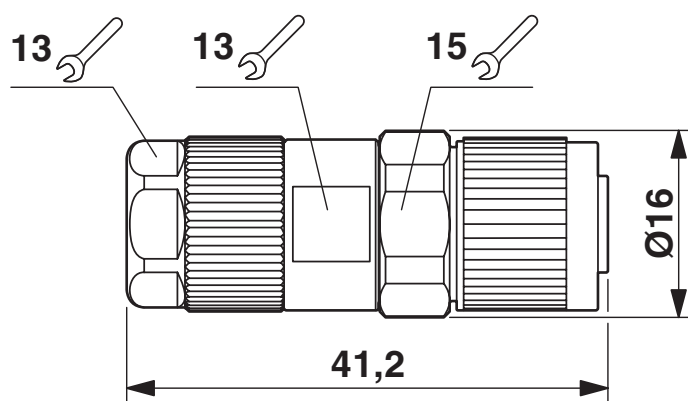
1559644

<https://www.phoenixcontact.com/pc/products/1559644>



Drawings

Dimensional drawing



M12 x 1 socket, straight

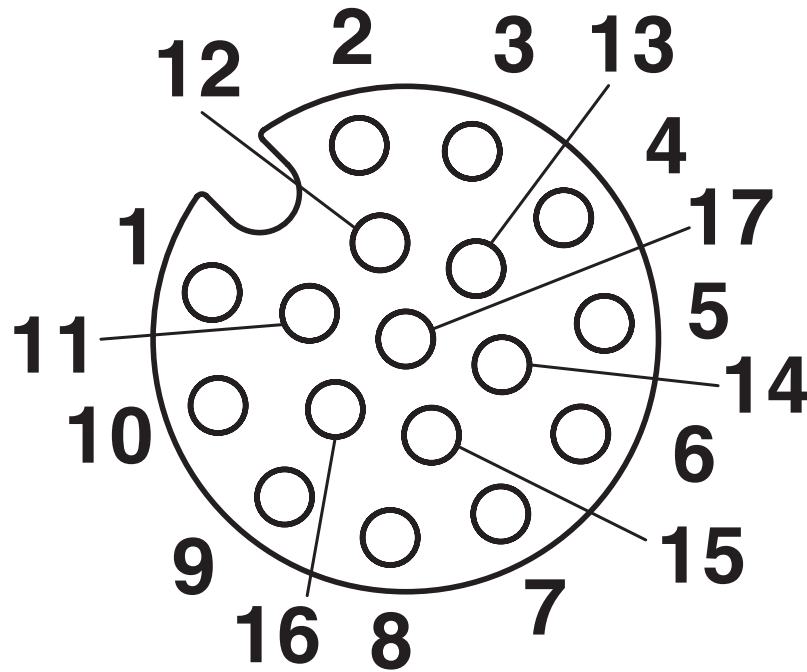
Connector - SACC-FS-17PCON SCO



1559644

<https://www.phoenixcontact.com/pc/products/1559644>

Schematic diagram



Pin assignment M12, 17-pos., socket side view

Connector - SACC-FS-17PCON SCO



1559644

<https://www.phoenixcontact.com/pc/products/1559644>

Approvals

EAC **EAC**
Approval ID: EAC-Zulassung

EAC **EAC**
Approval ID: RU C-DE.BL08.B.00511

Connector - SACC-FS-17PCON SCO



1559644

<https://www.phoenixcontact.com/pc/products/1559644>

Classifications

ECLASS

ECLASS-10.0.1	27440102
ECLASS-9.0	27440102
ECLASS-11.0	27440102

ETIM

ETIM 8.0	EC002635
----------	----------

UNSPSC

UNSPSC 21.0	39121400
-------------	----------

Connector - SACC-FS-17PCON SCO



1559644

<https://www.phoenixcontact.com/pc/products/1559644>

Environmental Product Compliance

REACH SVHC	Lead 7439-92-1
China RoHS	Environmentally friendly use period: unlimited = EFUP-e
	No hazardous substances above threshold values

Connector - SACC-FS-17PCON SCO



1559644

<https://www.phoenixcontact.com/pc/products/1559644>

Accessories

Screw plug

Screw plug - PROT-M12 MS-PA-CHAIN - 1430899

<https://www.phoenixcontact.com/pc/products/1430899>

M12 sealing cap with fixing band, for sensor cables, for free M12 sockets



Cable reel

Cable reel - SAC-17P-100,0-PVC/0,14 - 1441545

<https://www.phoenixcontact.com/pc/products/1441545>

Cable reel, 17-position, PVC, black RAL 9005, free cable end, on free cable end,
cable length: 100 m



Connector - SACC-FS-17PCON SCO

1559644

<https://www.phoenixcontact.com/pc/products/1559644>

Diagonal cutter

Diagonal cutter - MICROFOX-SP-1 - 1212487

<https://www.phoenixcontact.com/pc/products/1212487>



Electronic diagonal cutter, tapered head, without chamfer, with opening spring, non-reflective phosphate-treated surface, punched version

Stripping tool

Stripping tool - WIREFOX SAC - 1212623

<https://www.phoenixcontact.com/pc/products/1212623>



Stripping pliers, for halogen-free sensor/actuator cables (SAC cables), with PUR and PVC insulation, from Ø of 4.4 to 7 mm, any stripping length

Connector - SACC-FS-17PCON SCO



1559644

<https://www.phoenixcontact.com/pc/products/1559644>

Torque screwdriver

Torque screwdriver - TSD 04 SAC - 1208429

<https://www.phoenixcontact.com/pc/products/1208429>



Torque screwdriver, with preset torque of 0.4 Nm and 4 mm hexagonal drive for M12 connectors

Torque screwdriver

Torque screwdriver - TSD-M 1,2NM - 1212224

<https://www.phoenixcontact.com/pc/products/1212224>



Torque screw driver, accuracy as per EN ISO 6789 standard, adjustable from 0.3 - 1.2 Nm

Connector - SACC-FS-17PCON SCO



1559644

<https://www.phoenixcontact.com/pc/products/1559644>

Adapter insert

Adapter insert - TSD-M SAC-BIT ADAPTER - 1212600

<https://www.phoenixcontact.com/pc/products/1212600>



Adapter bit for TSD-M...torque tools, E6.3-1/4" drive with 4 mm hexagon to accommodate SAC bits

Tool

Tool - SAC BIT M12-D15 - 1208432

<https://www.phoenixcontact.com/pc/products/1208432>



Nut for assembling sensor/actuator cables with M12 connector and M12 connectors for assembly, with a knurl diameter of 15 mm, for 4 mm hexagonal drive

Phoenix Contact 2022 © - all rights reserved
<https://www.phoenixcontact.com>

PHOENIX CONTACT GmbH & Co. KG
Flachsmarktstraße 8
D-32825 Blomberg
+49 (0) 5235-3 00
info@phoenixcontact.com