

Screw plug - HC-M-BS-M20

1645846

<https://www.phoenixcontact.com/pc/products/1645846>



Please be informed that the data shown in this PDF document is generated from our Online Catalog. Please find the complete data in the user documentation. Our General Terms of Use for Downloads are valid.

Screw plug, cable gland material: Nickel-plated brass, connecting thread: M20 x 1.5, color: silver



Screw plug - HC-M-BS-M20

1645846

<https://www.phoenixcontact.com/pc/products/1645846>



Commercial Data

Item number	1645846
Packing unit	10 pc
Minimum order quantity	10 pc
Product Key	BF7DZX
Catalog Page	Page 702 (C-2-2019)
GTIN	4017918951092
Weight per Piece (including packing)	10.98 g
Weight per Piece (excluding packing)	10.98 g
Customs tariff number	74198090
Country of origin	DE

Screw plug - HC-M-BS-M20

1645846

<https://www.phoenixcontact.com/pc/products/1645846>

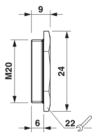


Technical Data

Product properties

Product type	Plug for cable screw gland
--------------	----------------------------

Dimensions

Dimensional drawing	
Length	9 mm
Length of the connecting thread	6 mm
Length without connecting thread	3 mm
Connecting thread diameter	20 mm
Wrench size, union nut	22 mm
Hexagon angular dimension	24 mm
Thread type connection side	M20 x 1.5
Thread pitch	1.5 mm

Material specifications

Color	silver
Housing surface material	Nickel
O-ring material	NBR
Cable gland material	Nickel-plated brass

Cable / line

Ambient conditions

Halogen-free	no
--------------	----

Environmental and real-life conditions

Ambient conditions

Degree of protection	IP68
Ambient temperature (operation)	-20 °C ... 80 °C

Screw plug - HC-M-BS-M20

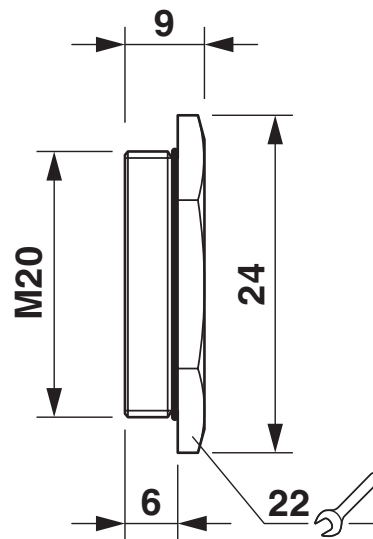
1645846

<https://www.phoenixcontact.com/pc/products/1645846>



Drawings

Dimensional drawing



Dimensional drawing

Screw plug - HC-M-BS-M20



1645846

<https://www.phoenixcontact.com/pc/products/1645846>

Classifications

ECLASS

ECLASS-10.0.1	23111190
ECLASS-9.0	23111190
ECLASS-11.0	23111190

ETIM

ETIM 8.0	EC000032
----------	----------

UNSPSC

UNSPSC 21.0	31261500
-------------	----------

Screw plug - HC-M-BS-M20

1645846

<https://www.phoenixcontact.com/pc/products/1645846>



Environmental Product Compliance

REACH SVHC	Lead 7439-92-1
China RoHS	Environmentally Friendly Use Period = 50 years
	For information on hazardous substances, refer to the manufacturer's declaration available under "Downloads"

Phoenix Contact 2022 © - all rights reserved

<https://www.phoenixcontact.com>

PHOENIX CONTACT GmbH & Co. KG

Flachsmarktstraße 8

D-32825 Blomberg

+49 (0) 5235-3 00

info@phoenixcontact.com