

Contact insert - HC-DD24-I-CT-M

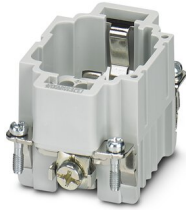


1584033

<https://www.phoenixcontact.com/pc/products/1584033>

Please be informed that the data shown in this PDF document is generated from our Online Catalog. Please find the complete data in the user documentation. Our General Terms of Use for Downloads are valid.

HEAVYCON male insert, DD24 series, 24-pos., crimp connection



Your advantages

- Can be used in rail vehicles, satisfy DIN EN 45545-2 with requirement sets R22, R23, and R24 in hazard levels HL1, HL2, and HL3.

Contact insert - HC-DD24-I-CT-M



1584033

<https://www.phoenixcontact.com/pc/products/1584033>

Commercial Data

| | |
|--------------------------------------|---------------------|
| Item number | 1584033 |
| Packing unit | 1 pc |
| Minimum order quantity | 1 pc |
| Product Key | BF7ABF |
| Catalog Page | Page 539 (C-2-2019) |
| GTIN | 4046356133340 |
| Weight per Piece (including packing) | 37.5 g |
| Weight per Piece (excluding packing) | 37.2 g |
| Customs tariff number | 85389099 |
| Country of origin | CN |

Contact insert - HC-DD24-I-CT-M



1584033

<https://www.phoenixcontact.com/pc/products/1584033>

Technical Data

Notes

| | |
|---------|---|
| General | For housing HC-B6 |
| General | Connectors may be operated only when there is no load/voltage. |
| General | It is imperative that guide pins (HC-CST) and sockets (HC-CBU) are used to prevent tip collision due to misalignment. |

Product properties

| | |
|------------------------------------|--|
| Type | B6 |
| Product type | Contact insert with a fixed no. of positions |
| Number of positions | 24 |
| Connection profile | 24+PE |
| Application | Signal |
| Number of connections per position | 1 |
| Contact type | turned rolled |
| Series | HC-DD |

Insulation characteristics

| | |
|----------------------|-----|
| Overvoltage category | III |
| Degree of pollution | 3 |

Connection data

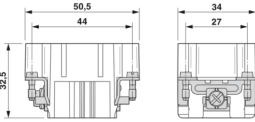
Connection technology

| | |
|------------------------------------|------------------|
| Connection technology | Crimp connection |
| Number of connections per position | 1 |
| Connection in acc. with standard | IEC / EN |

Conductor connection

| | |
|---|---|
| Connection cross section AWG | 26 ... 14 |
| Stripping length of the individual wire | 8 mm (0.14 ... 1.5 mm ²) 6 mm (2.5 mm ²) |

Dimensions

| | |
|---------------------------------|--|
| Dimensional drawing |  |
| Width | 34 mm |
| Height | 32.5 mm |
| Length | 50.5 mm |
| Drill hole distance, horizontal | 44 mm |
| Drill hole distance, vertical | 27 mm |

Contact insert - HC-DD24-I-CT-M



1584033

<https://www.phoenixcontact.com/pc/products/1584033>

Mechanical characteristics

| | |
|------------------------|--------|
| Minimum housing height | 72 mm |
| Contact diameter | 1.6 mm |

Electrical properties

| | |
|-----------------------|----------------|
| Rated voltage (III/3) | 250 V |
| Rated surge voltage | 4 kV |
| Rated current | 10 A |
| SCCR | 5 kA (UL 2237) |

Material specifications

| | |
|--|---|
| Flammability rating according to UL 94 | V0 |
| Contact material | Copper alloy |
| Contact surface material | Ag (alternatively Au) |
| Contact carrier material | PC |
| Standards/regulations | PC: Fire protection in rail vehicles - requirement sets R22, R23, and R24 acc. to DIN EN 45545-2 (Risk level HL1 - HL3) |

Connector

| | |
|-----------------------------|-----------------------|
| Insertion/withdrawal cycles | ≥ 500 |
| Application | Signal |
| Contact type | Pin |
| Number of positions | 24 |
| Connection profile | 24+PE |
| Insertion/withdrawal cycles | ≥ 500 |
| Contact material | Copper alloy |
| Contact surface material | Ag (alternatively Au) |
| Application | Signal |
| Contact type | Pin |
| Number of positions | 24 |
| Connection profile | 24+PE |
| Insertion/withdrawal cycles | ≥ 500 |
| Contact material | Copper alloy |
| Contact surface material | Ag (alternatively Au) |

Cable / line

Cable structure

| | |
|---|--------------------------------------|
| Stripping length of the individual wire | 8 mm (0.14 ... 1.5 mm ²) |
| | 6 mm (2.5 mm ²) |

Mounting

| | |
|-----------------------|---|
| Assembly instructions | To ensure correct use, installation in housing with IP54 protection or better is required |
|-----------------------|---|

Contact insert - HC-DD24-I-CT-M



1584033

<https://www.phoenixcontact.com/pc/products/1584033>

Ambient conditions

| | |
|---------------------------------|--|
| Ambient temperature (operation) | -40 °C ... 125 °C (including heating up of contacts) |
|---------------------------------|--|

Standards and regulations

| | |
|--|----------------------------|
| Constructional and testing regulations | DIN VDE 0627/86 |
| | DIN VDE 0110/02.79 |
| | DIN VDE 0110-1/04.97 |
| | IEC 60664-1, DIN IEC 60512 |
| | IEC 60352 |
| Tests | DIN VDE 0627/86 |
| | DIN VDE 0110/02.79 |
| | DIN VDE 0110-1/04.97 |
| | IEC 60664-1, DIN IEC 60512 |
| | IEC 60352 |

Testing

| | |
|-----------------------|---|
| Standards/regulations | PC: Fire protection in rail vehicles - requirement sets R22, R23, and R24 acc. to DIN EN 45545-2 (Risk level HL1 - HL3) |
|-----------------------|---|

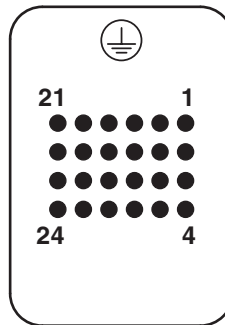
Contact insert - HC-DD24-I-CT-M

1584033

<https://www.phoenixcontact.com/pc/products/1584033>

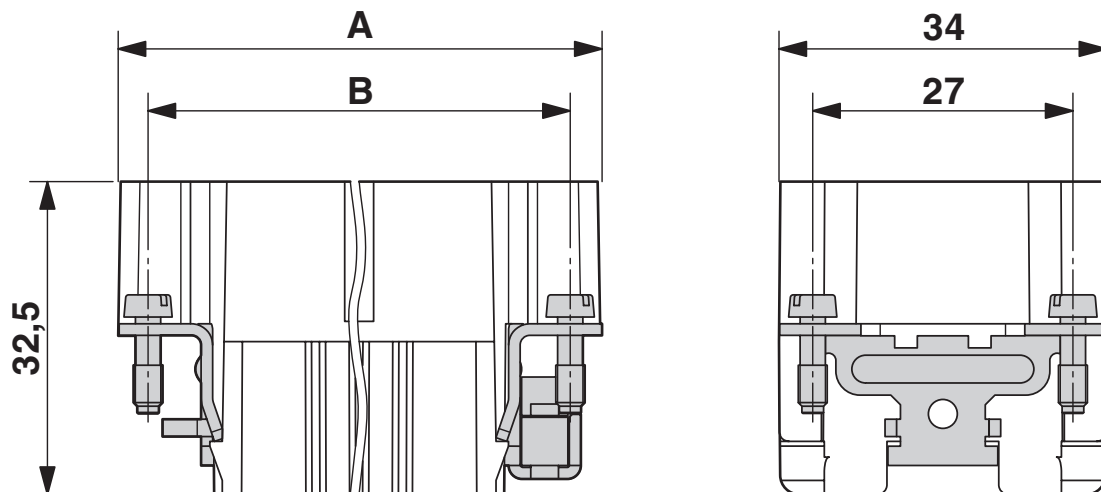
Drawings

Schematic diagram



Connector pin assignment, connection side

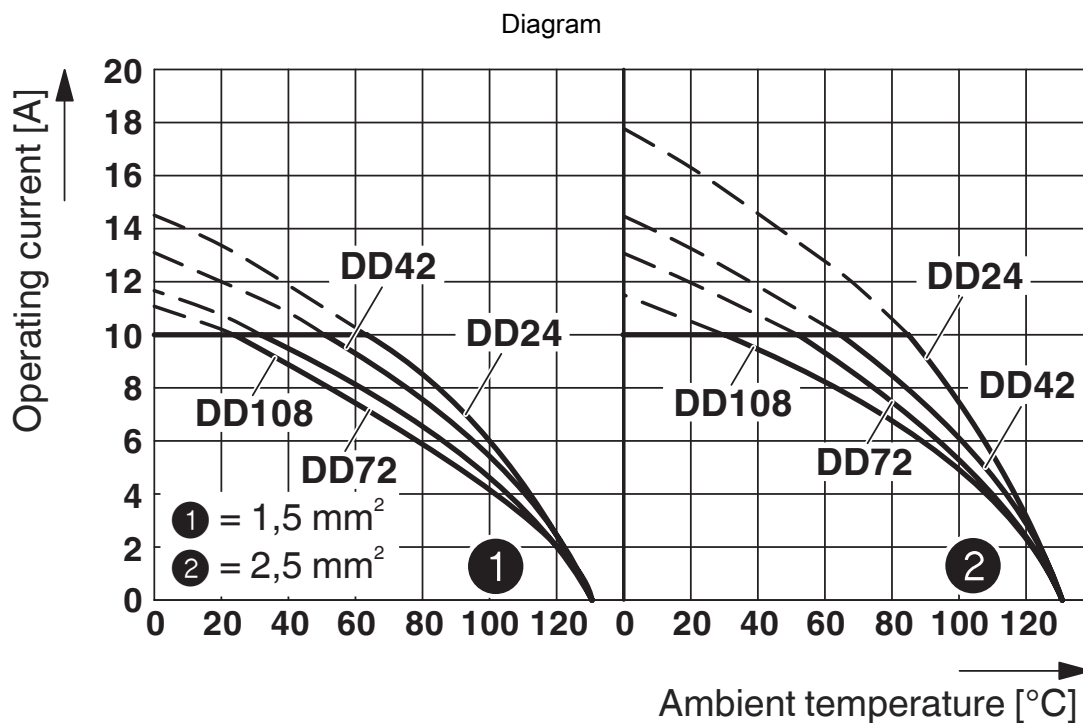
Dimensional drawing



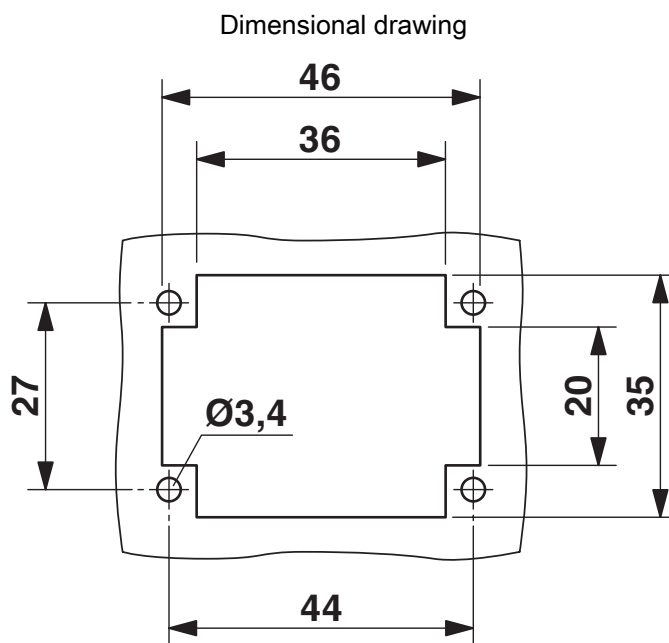
Contact insert - HC-DD24-I-CT-M

1584033

<https://www.phoenixcontact.com/pc/products/1584033>



Derating diagram



Mounting cutout when used without housing

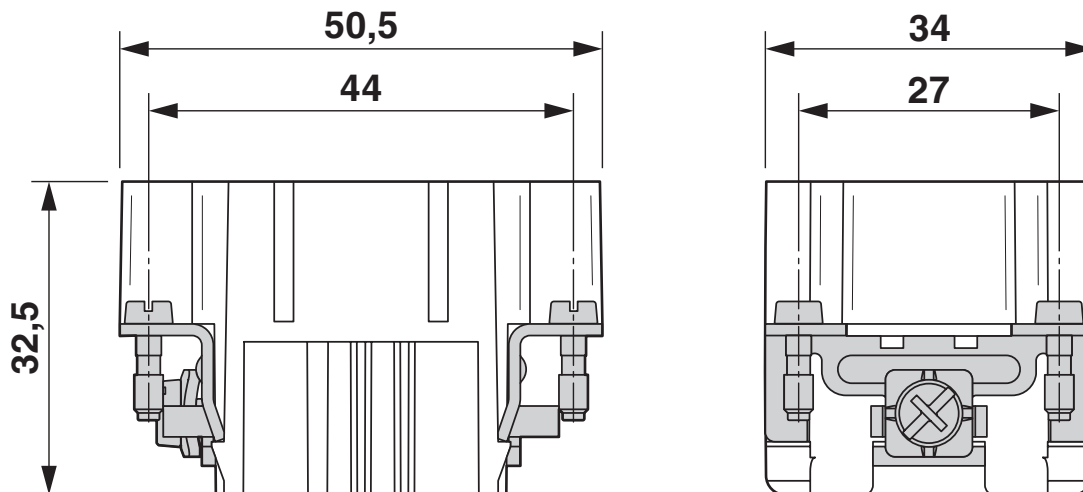
Contact insert - HC-DD24-I-CT-M



1584033

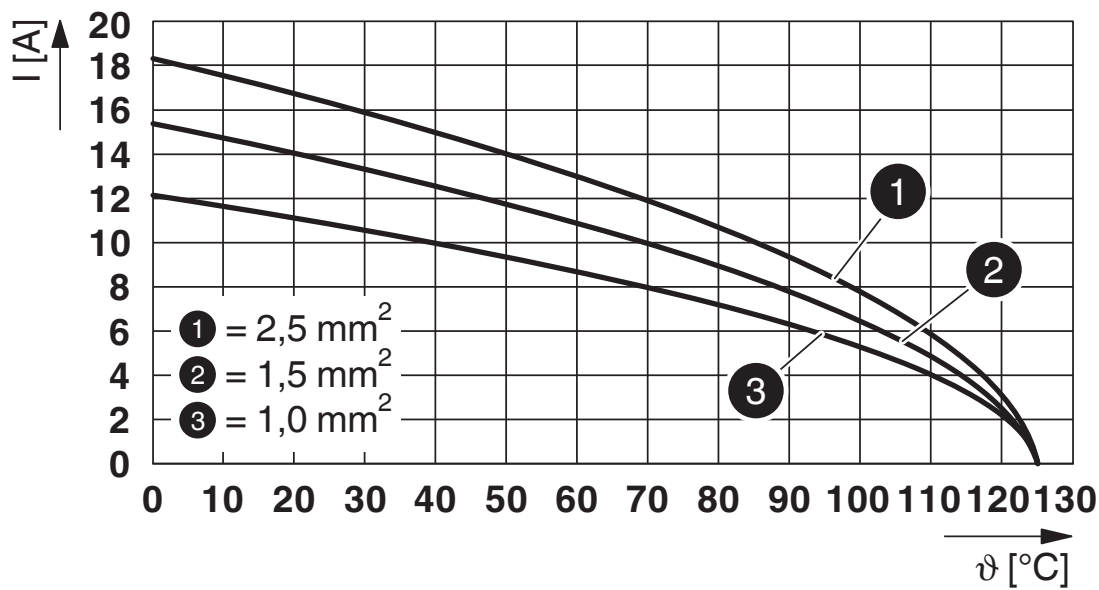
<https://www.phoenixcontact.com/pc/products/1584033>

Dimensional drawing



Male insert

Diagram



Derating diagram turned contacts

Contact insert - HC-DD24-I-CT-M



1584033

<https://www.phoenixcontact.com/pc/products/1584033>

Approvals

DNV

Approval ID: TAE000037S



CSA

Approval ID: 013631_6233_01

| Nominal Voltage U_N | Nominal Current I_N | Cross Section AWG | Cross Section mm^2 |
|-----------------------|-----------------------|-------------------|-----------------------------|
| 250 V | 7 A | 26 - 14 | - |



cUL Recognized

Approval ID: FILE E 118976

| Nominal Voltage U_N | Nominal Current I_N | Cross Section AWG | Cross Section mm^2 |
|-----------------------|-----------------------|-------------------|-----------------------------|
| 250 V | 7 A | - 14 | - |



UL Recognized

Approval ID: FILE E 118976

| Nominal Voltage U_N | Nominal Current I_N | Cross Section AWG | Cross Section mm^2 |
|-----------------------|-----------------------|-------------------|-----------------------------|
| 250 V | 10 A | - 14 | - |



EAC

Approval ID: RU C-DE.AI30.B.01102



cULus Recognized

Approval ID: E468743

| Nominal Voltage U_N | Nominal Current I_N | Cross Section AWG | Cross Section mm^2 |
|-----------------------|-----------------------|-------------------|-----------------------------|
| 250 V | 7 A | - 14 | - |



EAC

Approval ID: RU C-DE.BL08.B.00511

cULus Recognized

Contact insert - HC-DD24-I-CT-M



1584033

<https://www.phoenixcontact.com/pc/products/1584033>

Classifications

ECLASS

| | |
|---------------|----------|
| ECLASS-9.0 | 27440205 |
| ECLASS-10.0.1 | 27440205 |
| ECLASS-11.0 | 27440205 |

ETIM

| | |
|----------|----------|
| ETIM 8.0 | EC000438 |
|----------|----------|

UNSPSC

| | |
|-------------|----------|
| UNSPSC 21.0 | 39121500 |
|-------------|----------|

Contact insert - HC-DD24-I-CT-M



1584033

<https://www.phoenixcontact.com/pc/products/1584033>

Environmental Product Compliance

| | |
|------------|---|
| China RoHS | Environmentally friendly use period: unlimited = EFUP-e |
| | No hazardous substances above threshold values |

Contact insert - HC-DD24-I-CT-M

1584033

<https://www.phoenixcontact.com/pc/products/1584033>



Accessories

Assembly tool

Assembly tool - UNIFOX MT-CK 1.6/2.5 - 1089092

<https://www.phoenixcontact.com/pc/products/1089092>



Assembly tool, for CK 1.6... crimp contacts for small conductor cross sections

Male contact

Male contact - CK1,6-ED-ST-POF - 1884995

<https://www.phoenixcontact.com/pc/products/1884995>



POF fiber optic pin contact, turned, for contact carriers (HC-DD...I-CT.../ HC-M-12-CT-.../ HC-M-17-CT-...) of CK1,6-ED... contacts

Contact insert - HC-DD24-I-CT-M

1584033

<https://www.phoenixcontact.com/pc/products/1584033>



Contact insert

Contact insert - HC-DD24-I-CT-F - 1584046

<https://www.phoenixcontact.com/pc/products/1584046>

HEAVYCON female insert, DD24 series, 24-pos., crimp connection



DIN rail mounting frame

DIN rail mounting frame - HC-CIF-B06-HFWL-PL - 1424334

<https://www.phoenixcontact.com/pc/products/1424334>

DIN rail mounting frame, type: B6, for contact inserts, Top frame



Contact insert - HC-DD24-I-CT-M

1584033

<https://www.phoenixcontact.com/pc/products/1584033>



DIN rail mounting frame

DIN rail mounting frame - HC-CIF-B06-24-BFAFL-PL - 1424338

<https://www.phoenixcontact.com/pc/products/1424338>



DIN rail mounting frame, type: B6 - B24, for contact inserts, Base frame

Adapter

Adapter - HC-B-PE-PT - 1054672

<https://www.phoenixcontact.com/pc/products/1054672>



PE adapter with PT connection, for 1 PE connection, for HC-B / HC-BB / HC-DD / HC-D40 / HC-D64 contact inserts

Contact insert - HC-DD24-I-CT-M

1584033

<https://www.phoenixcontact.com/pc/products/1584033>



Coding element

Coding element - HC-CST - 1676857

<https://www.phoenixcontact.com/pc/products/1676857>



Coding peg for coding up to 16 connectors

Coding element

Coding element - HC-CBU - 1676860

<https://www.phoenixcontact.com/pc/products/1676860>



Coding socket for coding up to 16 connectors

Contact insert - HC-DD24-I-CT-M

1584033

<https://www.phoenixcontact.com/pc/products/1584033>



Adapter plate

Adapter plate - HC-B24/6-ADP-SS - 1034215

<https://www.phoenixcontact.com/pc/products/1034215>

Adapter plate, type: B24 to B6

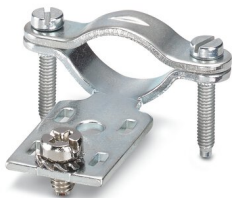


Strain relief clamp

Strain relief clamp - HC-B-ZG - 1685327

<https://www.phoenixcontact.com/pc/products/1685327>

Strain relief clamps contact inserts of series: B-, BB-, D 40, D 64, DD and HV, straight cable exit



Contact insert - HC-DD24-I-CT-M



1584033

<https://www.phoenixcontact.com/pc/products/1584033>

Strain relief clamp

Strain relief clamp - HC-B-ZS - 1685330

<https://www.phoenixcontact.com/pc/products/1685330>



Strain relief clamps contact inserts of series: B-, BB-, D 40, D 64, DD and HV, lateral cable exit

Screw

Screw - HC-B-PES - 1604997

<https://www.phoenixcontact.com/pc/products/1604997>



PE screw, for contact inserts HC-B / HC-BB / HC-DD / HC-D40 / HC-D64

Contact insert - HC-DD24-I-CT-M

1584033

<https://www.phoenixcontact.com/pc/products/1584033>



Contact removal tool

Contact removal tool - UNIFOX RT-CK 1.6 - 1072069

<https://www.phoenixcontact.com/pc/products/1072069>



Contact removal tool, for turned and rolled CK- 1.6-... contacts

Docking frames

Docking frames - HC-B 6-ANDOCK - 1586112

<https://www.phoenixcontact.com/pc/products/1586112>



Docking frames for racks, for type B6 contact inserts, with 4 M5 flat headed screws, slide-in offset for x/y axis of ± 1.5 mm

Contact insert - HC-DD24-I-CT-M

1584033

<https://www.phoenixcontact.com/pc/products/1584033>



Crimp contact

Crimp contact - CK1,6-ED-0,37ST AG - 1663336

<https://www.phoenixcontact.com/pc/products/1663336>



Turned 1.6 crimp contact, individual male contact, core diameter 0.14 to 0.37 mm², silver-plated

Crimp contact

Crimp contact - CK1,6-ED-0,50ST AG - 1663349

<https://www.phoenixcontact.com/pc/products/1663349>



Crimp contact, contact diameter: 1.6 mm, turned, Pin, contact material: Cu alloy, nickel-plated, contact surface: silver-plated, connection cross section: 0.5 mm² ... 0.5 mm², AWG 20

Contact insert - HC-DD24-I-CT-M

1584033

<https://www.phoenixcontact.com/pc/products/1584033>

Crimp contact

Crimp contact - CK1,6-ED-0,75ST AG - 1663352

<https://www.phoenixcontact.com/pc/products/1663352>



Crimp contact, contact diameter: 1.6 mm, turned, Pin, contact material: Copper alloy, contact surface: silver-plated, connection cross section: 0.75 mm² ... 0.75 mm², AWG 18

Crimp contact

Crimp contact - CK1,6-ED-1,00ST AG - 1663365

<https://www.phoenixcontact.com/pc/products/1663365>



Crimp contact, contact diameter: 1.6 mm, turned, Pin, contact material: Copper alloy, contact surface: silver-plated, connection cross section: 1 mm² ... 1 mm², AWG 18

Contact insert - HC-DD24-I-CT-M

1584033

<https://www.phoenixcontact.com/pc/products/1584033>



Crimp contact

Crimp contact - CK1,6-ED-1,50ST AG - 1663378

<https://www.phoenixcontact.com/pc/products/1663378>



Turned 1.6 crimp contact, individual female contact, core diameter 1.5 mm², silver-plated

Crimp contact

Crimp contact - CK1,6-ED-2,50ST AG - 1663381

<https://www.phoenixcontact.com/pc/products/1663381>



Turned 1.6 crimp contact, individual male contact, core diameter 2.5 mm², silver-plated

Contact insert - HC-DD24-I-CT-M

1584033

<https://www.phoenixcontact.com/pc/products/1584033>



Crimp contact

Crimp contact - CK1,6-ED-0,37ST AU - 1674901

<https://www.phoenixcontact.com/pc/products/1674901>



Turned 1.6 crimp contact, individual male contact, core diameter 0.14 to 0.37 mm², silver-plated

Crimp contact

Crimp contact - CK1,6-ED-0,50ST AU - 1672453

<https://www.phoenixcontact.com/pc/products/1672453>



Crimp contact, contact diameter: 1.6 mm, turned, Pin, contact material: Copper alloy, contact surface: gold-plated, connection cross section: 0.5 mm² ... 0.5 mm², AWG 20

Contact insert - HC-DD24-I-CT-M

1584033

<https://www.phoenixcontact.com/pc/products/1584033>

Crimp contact

Crimp contact - CK1,6-ED-0,75ST AU - 1674914

<https://www.phoenixcontact.com/pc/products/1674914>



Crimp contact, contact diameter: 1.6 mm, turned, Pin, contact material: Copper alloy, contact surface: gold-plated, connection cross section: 0.75 mm² ... 0.75 mm², AWG 18

Crimp contact

Crimp contact - CK1,6-ED-1,00ST AU - 1674888

<https://www.phoenixcontact.com/pc/products/1674888>



Crimp contact, contact diameter: 1.6 mm, turned, Pin, contact material: Copper alloy, contact surface: gold-plated, connection cross section: 1 mm² ... 1 mm², AWG 18

Contact insert - HC-DD24-I-CT-M

1584033

<https://www.phoenixcontact.com/pc/products/1584033>



Crimp contact

Crimp contact - CK1,6-ED-1,50ST AU - 1674875

<https://www.phoenixcontact.com/pc/products/1674875>



Turned 1.6 crimp contact, individual female contact, core diameter 1.5 mm², silver-plated

Crimp contact

Crimp contact - CK1,6-ED-2,50ST AU - 1674927

<https://www.phoenixcontact.com/pc/products/1674927>



Turned 1.6 crimp contact, individual female contact, core diameter 2.5 mm², gold-plated

Contact insert - HC-DD24-I-CT-M

1584033

<https://www.phoenixcontact.com/pc/products/1584033>



Crimp contact

Crimp contact - CK1,6-ER-1,00ST OIC AG - 1004360

<https://www.phoenixcontact.com/pc/products/1004360>



Crimp contact, contact diameter: 1.6 mm, rolled, Pin, contact material: Cu alloy, nickel-plated, contact surface: silver-plated, connection cross section: 0.34 mm² ... 1 mm², AWG 22 ... 17

Crimp contact

Crimp contact - CK1,6-ER-2,50ST OIC AG - 1004365

<https://www.phoenixcontact.com/pc/products/1004365>



Crimp contact, contact diameter: 1.6 mm, rolled, Pin, contact material: Cu alloy, nickel-plated, contact surface: silver-plated, connection cross section: 1.5 mm² ... 2.5 mm², AWG 16 ... 14

Contact insert - HC-DD24-I-CT-M

1584033

<https://www.phoenixcontact.com/pc/products/1584033>



Crimp contact

Crimp contact - CK1,6-BR-1,00ST OIC AG - 1004380

<https://www.phoenixcontact.com/pc/products/1004380>



Crimp contact, contact diameter: 1.6 mm, rolled, Pin, contact material: Cu alloy, nickel-plated, contact surface: silver-plated, connection cross section: 0.34 mm² ... 1 mm², AWG 22 ... 17, Taped products

Crimp contact

Crimp contact - CK1,6-BR-2,50ST OIC AG - 1004382

<https://www.phoenixcontact.com/pc/products/1004382>



Crimp contact, contact diameter: 1.6 mm, rolled, Pin, contact material: Cu alloy, nickel-plated, contact surface: silver-plated, connection cross section: 1.5 mm² ... 2.5 mm², AWG 16 ... 14, Taped products

Contact insert - HC-DD24-I-CT-M

1584033

<https://www.phoenixcontact.com/pc/products/1584033>



Crimping pliers

Crimping pliers - CRIMPFOX-1,6/2,5-ED-4,0 - 1687419

<https://www.phoenixcontact.com/pc/products/1687419>



Crimping pliers, for turned contacts, CK 1.6 ED... and CK 2.5 ED...

Crimping pliers

Crimping pliers - CRIMPFOX-TC 4 - 1212113

<https://www.phoenixcontact.com/pc/products/1212113>



Crimping pliers, for CK 1,6-ED..., CK 2,5-ED..., CK 4,0-ED... turned contacts, 4 marked die stations, unlockable pressure lock, lateral entry, incl. positioning tool

Contact insert - HC-DD24-I-CT-M

1584033

<https://www.phoenixcontact.com/pc/products/1584033>



Crimping pliers with digital display

Crimping pliers with digital display - CRIMPFOX-TC MP-6 - 1202888

<https://www.phoenixcontact.com/pc/products/1202888>

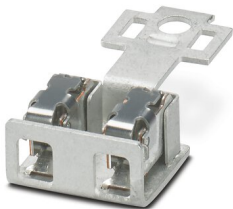


Crimping tool, for turned contacts, universal cross-section setting, up to a maximum of 6.0 mm², digital display with 0.01 mm increments, pressure lock can be unlocked, positioning tool necessary as an accessory for contact positioning

PE multiplier

PE multiplier - HC-B-2PE-PT - 1054675

<https://www.phoenixcontact.com/pc/products/1054675>



PE adapter with PT connection, for 2 PE connections, for HC-B / HC-BB / HC-DD / HC-D40 / HC-D64 contact inserts

Contact insert - HC-DD24-I-CT-M

1584033

<https://www.phoenixcontact.com/pc/products/1584033>



PE multiplier

PE multiplier - HC-B-3PE - 1644326

<https://www.phoenixcontact.com/pc/products/1644326>

PE multiplier, for 3 PE connections, for HC-B / HC-BB / HC-DD / HC-D40 / HC-D64 contact inserts



Phoenix Contact 2022 © - all rights reserved

<https://www.phoenixcontact.com>

PHOENIX CONTACT GmbH & Co. KG

Flachsmarktstraße 8

D-32825 Blomberg

+49 (0) 5235-3 00

info@phoenixcontact.com