

# Reducing adapter - REDUC-M-KV-M25/M20



1647624

<https://www.phoenixcontact.com/pc/products/1647624>

Please be informed that the data shown in this PDF document is generated from our Online Catalog. Please find the complete data in the user documentation. Our General Terms of Use for Downloads are valid.

---

Reducing adapter, material: Brass, nickel-plated, connecting thread: M25 x 1.5, color: silver, with O-ring



---

## Product Description

Reduced M25 to M20

# Reducing adapter - REDUC-M-KV-M25/M20



1647624

<https://www.phoenixcontact.com/pc/products/1647624>

## Commercial Data

Item number	1647624
Packing unit	10 pc
Minimum order quantity	1 pc
Product Key	BF7DZX
Catalog Page	Page 700 (C-2-2019)
GTIN	4017918941529
Weight per Piece (including packing)	18.1 g
Weight per Piece (excluding packing)	17.85 g
Customs tariff number	74198090
Country of origin	DE

# Reducing adapter - REDUC-M-KV-M25/M20



1647624

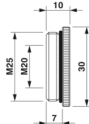
<https://www.phoenixcontact.com/pc/products/1647624>

## Technical Data

### Product properties

Product type	Reducing adapter
Seal present	yes

### Dimensions

Dimensional drawing	
Width	30.00 mm
Length	10 mm
Length of the connecting thread	7 mm
Length without connecting thread	3 mm
Connecting thread diameter	25 mm
Hexagon angular dimension	30 mm
Thread type connection side	M25 x 1.5
Thread pitch	1.5 mm
Thread type on seal side	M20

### Material specifications

Color	silver
Material	Brass, nickel-plated
Sealing material	NBR (O-ring)
Housing surface material	Nickel

### Connector

Material	Brass, nickel-plated
Material	Brass, nickel-plated

### Cable / line

#### Ambient conditions

Halogen-free	no
--------------	----

### Environmental and real-life conditions

#### Ambient conditions

Degree of protection	IP65 (Depends on the screw connection used)
Ambient temperature (operation)	-20 °C ... 80 °C

### Mounting

Assembly instructions	With corresponding screw connection: IP68
-----------------------	---

# Reducing adapter - REDUC-M-KV-M25/M20

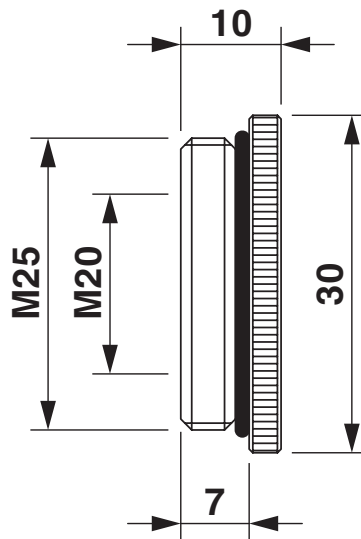


1647624

<https://www.phoenixcontact.com/pc/products/1647624>

## Drawings

Dimensional drawing



Dimensional drawing

# Reducing adapter - REDUC-M-KV-M25/M20



1647624

<https://www.phoenixcontact.com/pc/products/1647624>

## Classifications

### ECLASS

ECLASS-10.0.1	27440201
ECLASS-9.0	27440201
ECLASS-11.0	27144492

### ETIM

ETIM 8.0	EC000938
----------	----------

### UNSPSC

UNSPSC 21.0	31261500
-------------	----------

# Reducing adapter - REDUC-M-KV-M25/M20



1647624

<https://www.phoenixcontact.com/pc/products/1647624>

## Environmental Product Compliance

REACH SVHC	Lead 7439-92-1
China RoHS	Environmentally Friendly Use Period = 50 years
	For information on hazardous substances, refer to the manufacturer's declaration available under "Downloads"

Phoenix Contact 2022 © - all rights reserved

<https://www.phoenixcontact.com>

PHOENIX CONTACT GmbH & Co. KG

Flachsmarktstraße 8

D-32825 Blomberg

+49 (0) 5235-3 00

[info@phoenixcontact.com](mailto:info@phoenixcontact.com)