

# Contact insert - HC-A03-I-UT-M



1585210

<https://www.phoenixcontact.com/pc/products/1585210>

Please be informed that the data shown in this PDF document is generated from our Online Catalog. Please find the complete data in the user documentation. Our General Terms of Use for Downloads are valid.

---



Contact insert, number of positions: 3+PE, size: D7, number of connections per position: 1, Pin, Screw connection, 230 V/400 V, 10 A, 0.5 mm<sup>2</sup> ... 2.5 mm<sup>2</sup>

---

## Product Description

Contact insert  
without wire protection, with IP65 sealing screw

# Contact insert - HC-A03-I-UT-M



1585210

<https://www.phoenixcontact.com/pc/products/1585210>

## Commercial Data

Item number	1585210
Packing unit	1 pc
Minimum order quantity	1 pc
Product Key	BF7ABJ
Catalog Page	Page 505 (C-2-2019)
GTIN	4046356284943
Weight per Piece (including packing)	15.9 g
Weight per Piece (excluding packing)	14.3 g
Customs tariff number	85366990
Country of origin	CN

# Contact insert - HC-A03-I-UT-M

1585210

<https://www.phoenixcontact.com/pc/products/1585210>

## Technical Data

### Notes

General	for housing HC-D7
General	Connectors may be operated only when there is no load/voltage.

### Product properties

Type	D7
Product type	Contact insert with a fixed no. of positions
Number of positions	3
Connection profile	3+PE
Number of connections per position	1
Contact type	turned
Series	HC-A
Screwdriver blade	0.4 x 2.5 mm

### Insulation characteristics

Overvoltage category	III
Degree of pollution	3

### Connection data

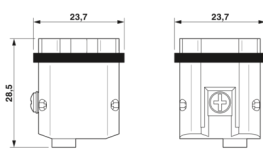
#### Connection technology

Connection technology	Screw connection
Number of connections per position	1
Connection in acc. with standard	IEC / EN

#### Conductor connection

Connection cross section AWG	20 ... 14
Tightening torque	0.25 Nm ... 0.5 Nm
Stripping length of the individual wire	5 mm

### Dimensions

Dimensional drawing	
Width	21 mm
Height	28.5 mm
Length	21 mm

### Mechanical characteristics

Contact diameter	1.6 mm
------------------	--------

# Contact insert - HC-A03-I-UT-M



1585210

<https://www.phoenixcontact.com/pc/products/1585210>

## Electrical properties

Rated voltage (III/2) contacts	415 V (Conductor-PE)
	690 V (Conductor-Conductor)
Rated voltage (III/3)	230 V (Conductor-PE)
	400 V (Conductor-Conductor)
Rated voltage for power contacts	230/400 V
Rated surge voltage	4 kV
Rated surge voltage	4 kV
Rated current	10 A
SCCR	5 kA (UL 2237)

## Material specifications

Flammability rating according to UL 94	V0
Sealing material	NBR, conductive (profile gasket)
Contact material	Copper alloy
Contact surface material	Ag
Contact carrier material	PC
Standards/regulations	PC: Fire protection in rail vehicles - requirement sets R22, R23, and R24 acc. to DIN EN 45545-2 (Risk level HL1 - HL3)

## Connector

Insertion/withdrawal cycles	≥ 500
-----------------------------	-------

## Cable / line

### Cable structure

Stripping length of the individual wire	5 mm
---	------

## Mounting

Assembly instructions	To ensure correct use, installation in housing with IP54 protection or better is required
	Already includes one IP65 sealing screw

## Ambient conditions

Ambient temperature (operation)	-40 °C ... 125 °C (including heating up of contacts)
---------------------------------	--

## Standards and regulations

### Testing

Standards/regulations	PC: Fire protection in rail vehicles - requirement sets R22, R23, and R24 acc. to DIN EN 45545-2 (Risk level HL1 - HL3)
-----------------------	---

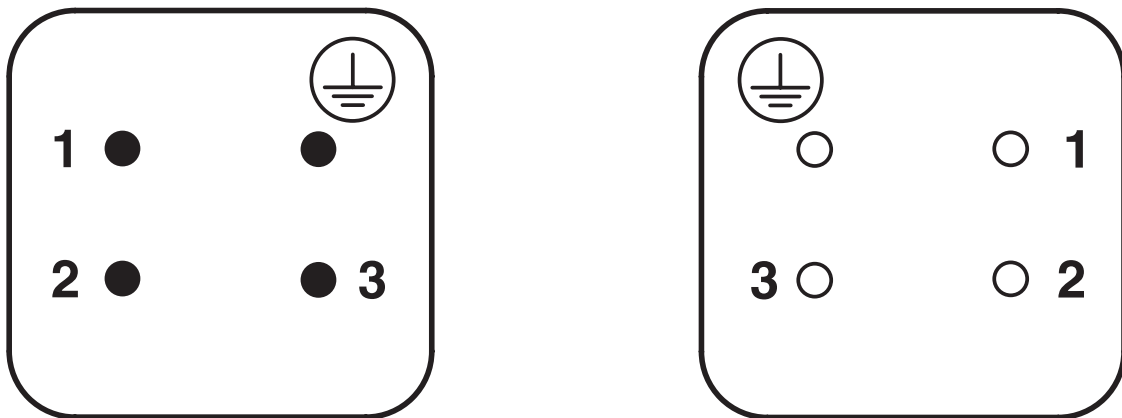
# Contact insert - HC-A03-I-UT-M

1585210

<https://www.phoenixcontact.com/pc/products/1585210>

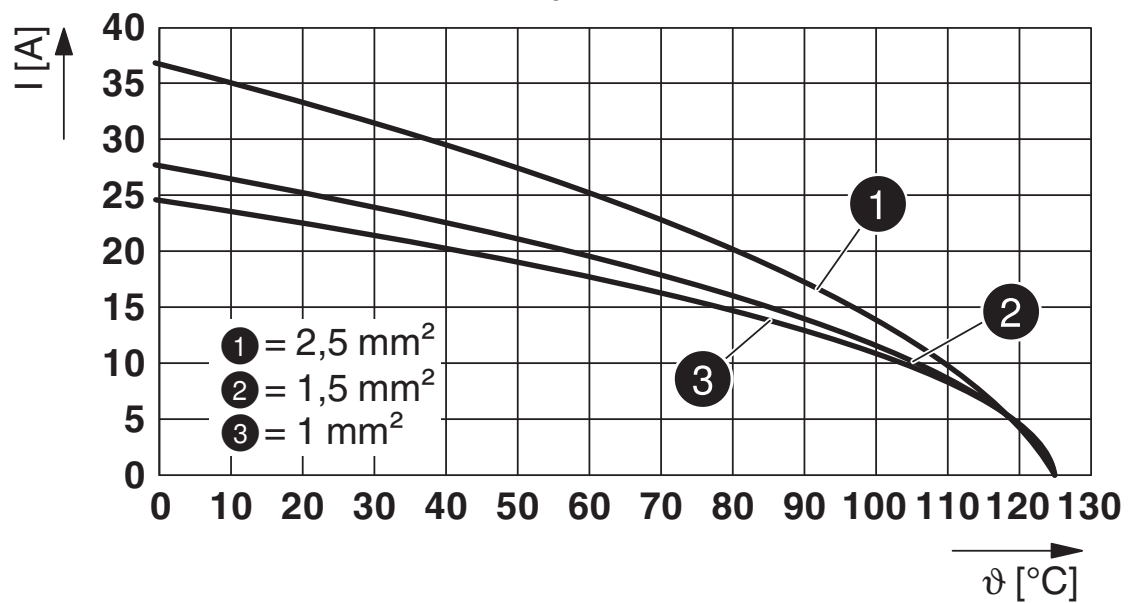
## Drawings

Schematic diagram



Connector pin assignment connection side: Left pin; right socket

Diagram



Derating diagram

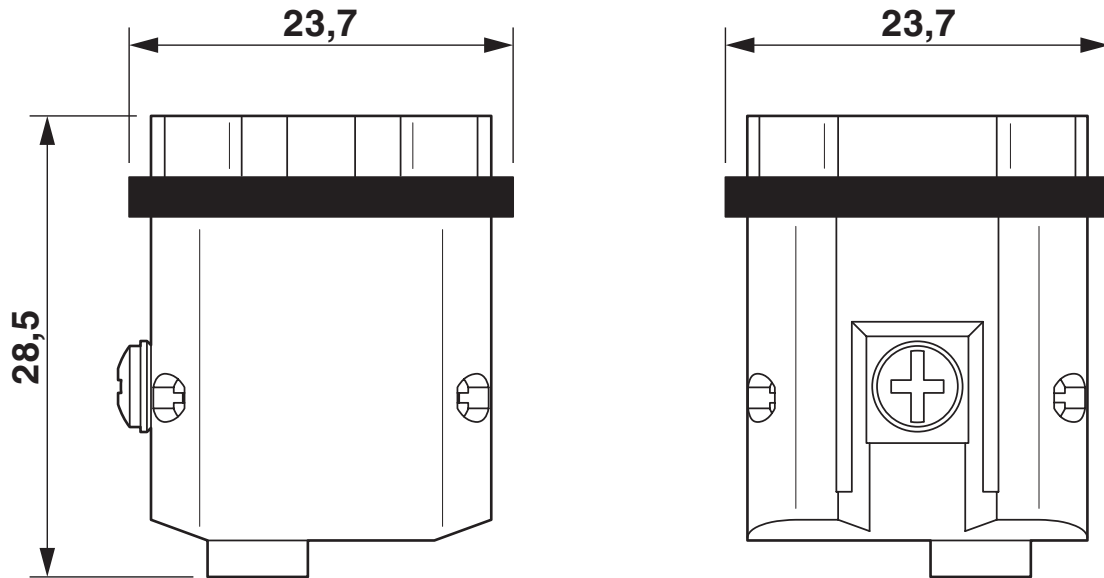
# Contact insert - HC-A03-I-UT-M



1585210

<https://www.phoenixcontact.com/pc/products/1585210>

Dimensional drawing



Male insert

# Contact insert - HC-A03-I-UT-M



1585210

<https://www.phoenixcontact.com/pc/products/1585210>

## Approvals

**DNV**

Approval ID: TAE000037S



**CSA**

Approval ID: 13631

Nominal Voltage $U_N$	Nominal Current $I_N$	Cross Section AWG	Cross Section $\text{mm}^2$
600 V	18 A	- 14	-



**UL Recognized**

Approval ID: E118976

Nominal Voltage $U_N$	Nominal Current $I_N$	Cross Section AWG	Cross Section $\text{mm}^2$
600 V	24 A	-	-



**EAC**

Approval ID: RU C-DE.AI30.B.01102



**UL Recognized**

Approval ID: E468743

Nominal Voltage $U_N$	Nominal Current $I_N$	Cross Section AWG	Cross Section $\text{mm}^2$
600 V	24 A	-	-



**EAC**

Approval ID: RU C-DE.BL08.B.00511

# Contact insert - HC-A03-I-UT-M



1585210

<https://www.phoenixcontact.com/pc/products/1585210>

## Classifications

### ECLASS

ECLASS-9.0	27440205
ECLASS-10.0.1	27440205
ECLASS-11.0	27440205

### ETIM

ETIM 8.0	EC000438
----------	----------

### UNSPSC

UNSPSC 21.0	39121500
-------------	----------



# Contact insert - HC-A03-I-UT-M



1585210

<https://www.phoenixcontact.com/pc/products/1585210>

## Environmental Product Compliance

REACH SVHC	Lead 7439-92-1
China RoHS	Environmentally Friendly Use Period = 50 years
	For information on hazardous substances, refer to the manufacturer's declaration available under "Downloads"

# Contact insert - HC-A03-I-UT-M

1585210

<https://www.phoenixcontact.com/pc/products/1585210>



## Accessories

### Profile gasket

Profile gasket - HC-D07-SP-RBK - 1419622

<https://www.phoenixcontact.com/pc/products/1419622>

Profile gasket, type: D7, for pin inserts



---

## Contact insert

Contact insert - HC-A03-I-UT-F - 1585223

<https://www.phoenixcontact.com/pc/products/1585223>

Contact insert, number of positions: 3+PE, size: D7, number of connections per position: 1, Socket, Screw connection, 230 V/400 V, 10 A, 0.5 mm<sup>2</sup> ... 2.5 mm<sup>2</sup>



# Contact insert - HC-A03-I-UT-M

1585210

<https://www.phoenixcontact.com/pc/products/1585210>



## Coding element

Coding element - HC-CP-D07-PL - 1095413

<https://www.phoenixcontact.com/pc/products/1095413>

Coding element for HC-D07 contact inserts of the HC-A03... / HC-A04... / HC-Q03... / HC-Q04... / HC-Q07... series



---

## Sealing screw

Sealing screw - HC-D 7-DS-IP65 - 1686229

<https://www.phoenixcontact.com/pc/products/1686229>

Sealing screw, size: Countersunk head, IP67, replacement part for D7 size HEAVYCON housing



---

Phoenix Contact 2022 © - all rights reserved  
<https://www.phoenixcontact.com>

PHOENIX CONTACT GmbH & Co. KG  
Flachsmarktstraße 8  
D-32825 Blomberg  
+49 (0) 5235-3 00  
[info@phoenixcontact.com](mailto:info@phoenixcontact.com)