

# Connector - SACC-M12FS-4QO-0,75-M



1641772

<https://www.phoenixcontact.com/pc/products/1641772>

Please be informed that the data shown in this PDF document is generated from our Online Catalog. Please find the complete data in the user documentation. Our General Terms of Use for Downloads are valid.

---



Connector, Universal, 4-position, Socket straight M12, Coding: A, Insulation displacement connection, knurl material: Zinc die-cast, nickel-plated, external cable diameter 4 mm ... 8 mm

---

## Your advantages

- Safe use in the field, thanks to a high degree of protection
- Insulation displacement connection: innovative and time-saving assembly without stripping the single wire

# Connector - SACC-M12FS-4QO-0,75-M



1641772

<https://www.phoenixcontact.com/pc/products/1641772>

## Commercial Data

|                                      |                    |
|--------------------------------------|--------------------|
| Item number                          | 1641772            |
| Packing unit                         | 1 pc               |
| Minimum order quantity               | 1 pc               |
| Product Key                          | BF2CCA             |
| Catalog Page                         | Page 20 (C-2-2019) |
| GTIN                                 | 4017918921859      |
| Weight per Piece (including packing) | 16.343 g           |
| Weight per Piece (excluding packing) | 14.9 g             |
| Customs tariff number                | 85366990           |
| Country of origin                    | DE                 |

## Technical Data

### Notes

Assembly instruction:

**NOTE:** Observe the permissible bending radii when laying conductors, since the degree of protection may be put in jeopardy if the bending forces are too high. Alleviate mechanical loads upstream of the connector, e.g. by using cable ties.

### Product properties

|                      |                                 |
|----------------------|---------------------------------|
| Product type         | Circular connector (cable-side) |
| Number of positions  | 4                               |
| No. of cable outlets | 1                               |
| Shielded             | no                              |
| Coding               | A - standard                    |
| Cable outlet         | straight                        |

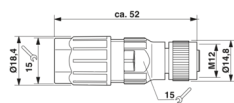
### Insulation characteristics

|                      |     |
|----------------------|-----|
| Overvoltage category | III |
| Degree of pollution  | 3   |

### Ambient conditions

|                                 |                                   |
|---------------------------------|-----------------------------------|
| Degree of protection            | IP65<br>IP67                      |
| Ambient temperature (operation) | -25 °C ... 80 °C (Plug / socket)  |
| Ambient temperature (assembly)  | -5 °C ... 50 °C (During assembly) |

### Dimensions

|                     |  |
|---------------------|--|
| Dimensional drawing |  |
| Length              | 52 mm  |

### External dimensions

|                  |               |
|------------------|---------------|
| Outside diameter | 4 mm ... 8 mm |
|------------------|---------------|

### Housing

|                  |         |
|------------------|---------|
| Diameter housing | 18.4 mm |
|------------------|---------|

### Connector

|                             |       |
|-----------------------------|-------|
| Insertion/withdrawal cycles | ≥ 100 |
|-----------------------------|-------|

### Header 1

|                   |          |
|-------------------|----------|
| Head design       | Socket   |
| Head cable outlet | straight |

# Connector - SACC-M12FS-4QO-0,75-M



1641772

<https://www.phoenixcontact.com/pc/products/1641772>

|                             |                                    |
|-----------------------------|------------------------------------|
| Head thread type            | M12                                |
| Coding                      | A-coded                            |
| Number of positions         | 4                                  |
| Coding                      | A - standard                       |
| Insertion/withdrawal cycles | ≥ 100                              |
| Connection method           | Insulation displacement connection |
| Contact material            | CuSn                               |
| Contact surface material    | Ni/Au                              |
| Number of positions         | 4                                  |
| Coding                      | A - standard                       |
| Insertion/withdrawal cycles | ≥ 100                              |
| Connection method           | Insulation displacement connection |
| Contact material            | CuSn                               |
| Contact surface material    | Ni/Au                              |

## Electrical properties

|                                |                      |
|--------------------------------|----------------------|
| Rated surge voltage            | 4 kV                 |
| Contact resistance             | ≤ 5 mΩ               |
| Insulation resistance          | ≥ 100 MΩ             |
| Nominal voltage U <sub>N</sub> | 250 V AC<br>250 V DC |
| Nominal current I <sub>N</sub> | 4 A                  |

## Material specifications

|  |                              |
|--|------------------------------|
| Color Handle area                      | black                        |
| Flammability rating according to UL 94 | V0                           |
| Sealing material                       | NBR                          |
| Material of grip body                  | PA 6                         |
| Contact material                       | CuSn                         |
| Contact surface material               | Ni/Au                        |
| Contact carrier material               | TPU                          |
| Cable gland material                   | Zinc die-cast, nickel-plated |
| Wire insulation material               | PVC / PE / PP / rubber       |

## Connection data

### Conductor connection

|                                  |   |
|----------------------------------|---|
| Connection method                | Insulation displacement connection            |
| Conductor cross section flexible | 0.34 mm <sup>2</sup> ... 0.75 mm <sup>2</sup> |
| Cross section AWG                | 22 ... 18                                     |

### Pin assignment

|   |                            |
|---|----------------------------|
| Contact   Color (signal designation)   Contact (optional) | 1 = BN<br>2 = WH<br>3 = BU |
|---|----------------------------|

# Connector - SACC-M12FS-4QO-0,75-M



1641772

<https://www.phoenixcontact.com/pc/products/1641772>

|  |        |
|--|--------|
|  | 4 = BK |
|--|--------|

## Mounting

|                       |  |
|-----------------------|--|
| Assembly instructions | AWG 18 wire cross section upon request |
|-----------------------|--|

## Standards and regulations

M12

|                          |                              |
|--------------------------|------------------------------|
| Standards/specifications | according to IEC 61076-2-101 |
|--------------------------|------------------------------|

## Cable / line

Cable structure

|                         |               |
|-------------------------|---------------|
| Signal type/category    | Universal     |
| External cable diameter | 4 mm ... 8 mm |

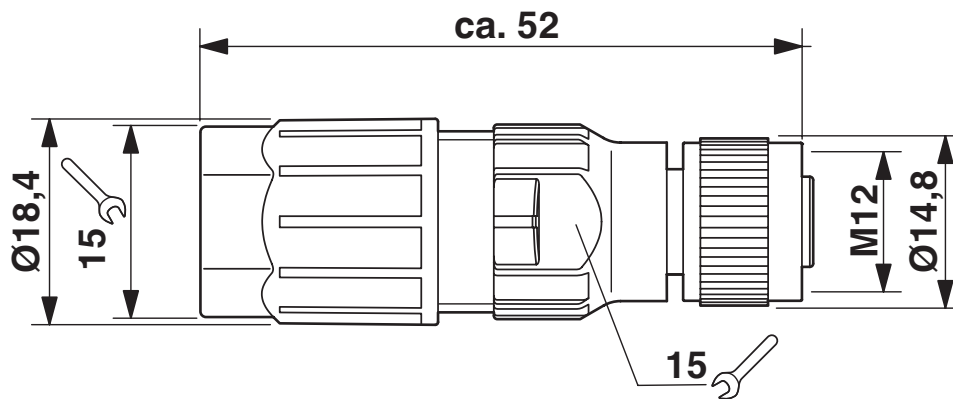
# Connector - SACC-M12FS-4QO-0,75-M

1641772

<https://www.phoenixcontact.com/pc/products/1641772>

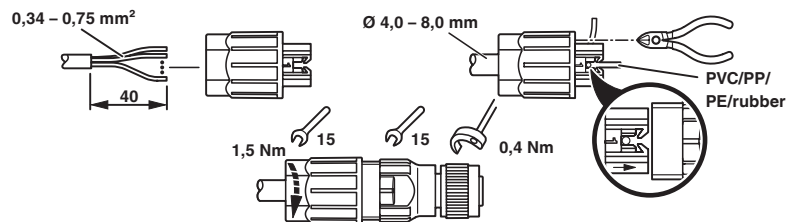
## Drawings

Dimensional drawing



M12 x 1 socket, straight

Functional drawing



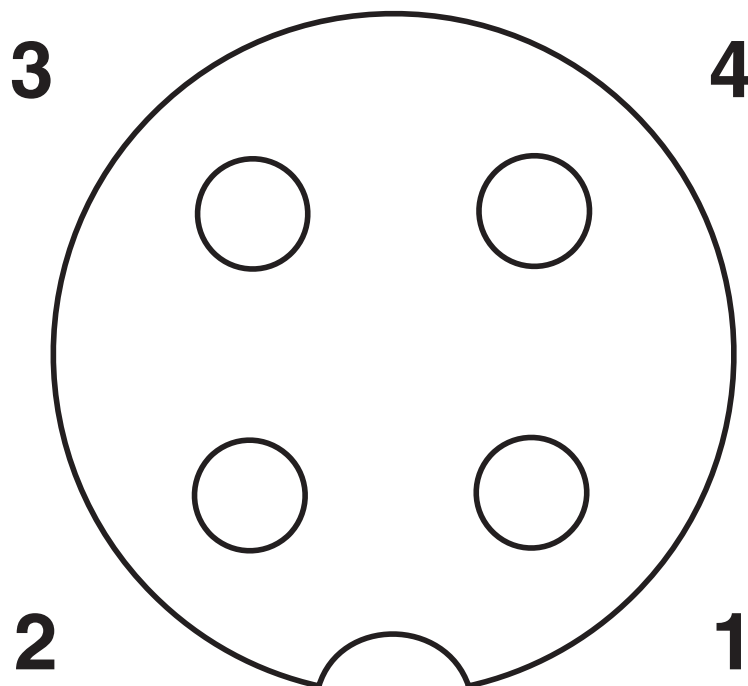
# Connector - SACC-M12FS-4QO-0,75-M

1641772

<https://www.phoenixcontact.com/pc/products/1641772>



Schematic diagram



Pin assignment M12 socket, 4-pos., A-coded, view female side

# Connector - SACC-M12FS-4QO-0,75-M




1641772


<https://www.phoenixcontact.com/pc/products/1641772>

## Approvals

|  <b>cUL Recognized</b><br>Approval ID: FILE E 118976 |                       |                       |                   |                             |
|---|-----------------------|-----------------------|-------------------|-----------------------------|
|   | Nominal Voltage $U_N$ | Nominal Current $I_N$ | Cross Section AWG | Cross Section $\text{mm}^2$ |
|   | 300 V                 | 4 A                   | -                 | -                           |

|  <b>UL Recognized</b><br>Approval ID: FILE E 118976 |                       |                       |                   |                             |
|--|-----------------------|-----------------------|-------------------|-----------------------------|
|  | Nominal Voltage $U_N$ | Nominal Current $I_N$ | Cross Section AWG | Cross Section $\text{mm}^2$ |
|  | 300 V                 | 4 A                   | -                 | -                           |

|  <b>EAC</b><br>Approval ID: EAC-Zulassung |  |
|--|--|
|--|--|

|  <b>EAC</b><br>Approval ID: RU C-DE.BL08.B.00511 |  |
|---|--|
|---|--|

| <b>cULus Recognized</b> |  |
|-------------------------|--|
|-------------------------|--|



# Connector - SACC-M12FS-4QO-0,75-M



1641772

<https://www.phoenixcontact.com/pc/products/1641772>

## Classifications

### ECLASS

|               |          |
|---------------|----------|
| ECLASS-10.0.1 | 27440102 |
| ECLASS-9.0    | 27440102 |
| ECLASS-11.0   | 27440102 |

### ETIM

|          |          |
|----------|----------|
| ETIM 8.0 | EC002635 |
|----------|----------|

### UNSPSC

|             |          |
|-------------|----------|
| UNSPSC 21.0 | 39121400 |
|-------------|----------|

# Connector - SACC-M12FS-4QO-0,75-M



1641772

<https://www.phoenixcontact.com/pc/products/1641772>

## Environmental Product Compliance

|            |   |
|------------|---|
| China RoHS | Environmentally friendly use period: unlimited = EFUP-e |
|            | No hazardous substances above threshold values          |

# Connector - SACC-M12FS-4QO-0,75-M



1641772

<https://www.phoenixcontact.com/pc/products/1641772>

## Accessories

### Screw plug

Screw plug - PROT-M12 MS-PA-CHAIN - 1430899

<https://www.phoenixcontact.com/pc/products/1430899>

M12 sealing cap with fixing band, for sensor cables, for free M12 sockets



---

### Cable reel

Cable reel - SAC-4P-100,0-PUR/0,34 - 1501663

<https://www.phoenixcontact.com/pc/products/1501663>

By the meter, Cable reel, PUR halogen-free, black-gray RAL 7021, 4-wire, color single wire: brown, white, blue, black, cable length: 100 m



# Connector - SACC-M12FS-4QO-0,75-M

1641772

<https://www.phoenixcontact.com/pc/products/1641772>

## Cable reel

Cable reel - SAC-4P-100,0-186/0,75 - 1457461

<https://www.phoenixcontact.com/pc/products/1457461>



By the meter, Cable reel, PUR, black-gray RAL 7021, 4-wire, color single wire: brown, white, blue, black, cable length: 100 m

---

## Torque screwdriver

Torque screwdriver - TSD 04 SAC - 1208429

<https://www.phoenixcontact.com/pc/products/1208429>



Torque screwdriver, with preset torque of 0.4 Nm and 4 mm hexagonal drive for M12 connectors

# Connector - SACC-M12FS-4QO-0,75-M

1641772

<https://www.phoenixcontact.com/pc/products/1641772>

## Torque screwdriver

Torque screwdriver - TSD-M 1,2NM - 1212224

<https://www.phoenixcontact.com/pc/products/1212224>



Torque screw driver, accuracy as per EN ISO 6789 standard, adjustable from 0.3 - 1.2 Nm

---

## Adapter insert

Adapter insert - TSD-M SAC-BIT ADAPTER - 1212600

<https://www.phoenixcontact.com/pc/products/1212600>



Adapter bit for TSD-M...torque tools, E6.3-1/4" drive with 4 mm hexagon to accommodate SAC bits

# Connector - SACC-M12FS-4QO-0,75-M



1641772

<https://www.phoenixcontact.com/pc/products/1641772>

## Socket wrench

Socket wrench - QSS 15 - 1641992

<https://www.phoenixcontact.com/pc/products/1641992>



Allen wrench, for loosening and fastening the QUICKON union nut, WAF 15 mm

---

## Tool

Tool - SAC BIT M12-D15 - 1208432

<https://www.phoenixcontact.com/pc/products/1208432>



Nut for assembling sensor/actuator cables with M12 connector and M12 connectors for assembly, with a knurl diameter of 15 mm, for 4 mm hexagonal drive

---

Phoenix Contact 2022 © - all rights reserved  
<https://www.phoenixcontact.com>

PHOENIX CONTACT GmbH & Co. KG  
Flachsmarktstraße 8  
D-32825 Blomberg  
+49 (0) 5235-3 00  
[info@phoenixcontact.com](mailto:info@phoenixcontact.com)