

Data connector - SACC-M12MSD-4Q SH



1543223

<https://www.phoenixcontact.com/pc/products/1543223>

Please be informed that the data shown in this PDF document is generated from our Online Catalog. Please find the complete data in the user documentation. Our General Terms of Use for Downloads are valid.



Data connector, Ethernet CAT5 (100 Mbps), 4-position, shielded, Plug straight M12, Coding: D, Insulation displacement connection, knurl material: Nickel-plated brass, external cable diameter 4 mm ... 8 mm

Your advantages

- Safe use in the field, thanks to a high degree of protection
- Insulation displacement connection: innovative and time-saving assembly without stripping the single wire
- Reliable signal transmission - 360° shielding in environments with electromagnetic interference

Data connector - SACC-M12MSD-4Q SH



1543223

<https://www.phoenixcontact.com/pc/products/1543223>

Commercial Data

Item number	1543223
Packing unit	1 pc
Minimum order quantity	1 pc
Product Key	BF2CDI
Catalog Page	Page 257 (C-8-2015)
GTIN	4046356097383
Weight per Piece (including packing)	42.5 g
Weight per Piece (excluding packing)	42.5 g
Customs tariff number	85366990
Country of origin	DE

Data connector - SACC-M12MSD-4Q SH



1543223

<https://www.phoenixcontact.com/pc/products/1543223>

Technical Data

Notes

Assembly instruction:

NOTE: Observe the permissible bending radii when laying conductors, since the degree of protection may be put in jeopardy if the bending forces are too high. Alleviate mechanical loads upstream of the connector, e.g. by using cable ties.

Product properties

Product type	Circular connector (cable-side)
Number of positions	4
No. of cable outlets	1
Shielded	yes
Coding	D - data
Cable outlet	straight

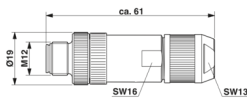
Insulation characteristics

Overvoltage category	II
Degree of pollution	3

Ambient conditions

Degree of protection	IP67
Ambient temperature (operation)	-40 °C ... 85 °C

Dimensions

Dimensional drawing	
Width	19 mm
Height	19 mm
Length	61 mm

External dimensions

Outside diameter	4 mm ... 8 mm
------------------	---------------

Housing

Diameter housing	19 mm
------------------	-------

Connector

Insertion/withdrawal cycles	≥ 100
-----------------------------	-------

Header 1

Head design	Plug
Head cable outlet	straight

Data connector - SACC-M12MSD-4Q SH



1543223

<https://www.phoenixcontact.com/pc/products/1543223>

Head thread type	M12
Coding	D-coded
Number of positions	4
Coding	D - data
Insertion/withdrawal cycles	≥ 100
Connection method	Insulation displacement connection
Contact material	CuSn
Contact surface material	Ni/Au
Number of positions	4
Coding	D - data
Insertion/withdrawal cycles	≥ 100
Connection method	Insulation displacement connection
Contact material	CuSn
Contact surface material	Ni/Au

Electrical properties

Contact resistance	≤ 5 mΩ
Insulation resistance	≥ 100 MΩ
Nominal voltage U _N	48 V AC
	60 V DC
Nominal current I _N	1.75 A

Material specifications

Flammability rating according to UL 94	V0
Sealing material	Neoprene
Material of grip body	Zinc die-cast, nickel-plated
Contact material	CuSn
Contact surface material	Ni/Au
Contact carrier material	PA6
Cable gland material	Nickel-plated brass

Connection data

Conductor connection

Connection method	Insulation displacement connection
Conductor cross section flexible	0.14 mm ² ... 0.34 mm ²
Cross section AWG	26 ... 22

Standards and regulations

M12

Standards/specifications	according to IEC 61076-2-101
--------------------------	------------------------------

Cable / line

Cable structure

Data connector - SACC-M12MSD-4Q SH



1543223

<https://www.phoenixcontact.com/pc/products/1543223>

Signal type/category	Ethernet CAT5 (on the basis of IEC 11801), 100 Mbps
----------------------	---

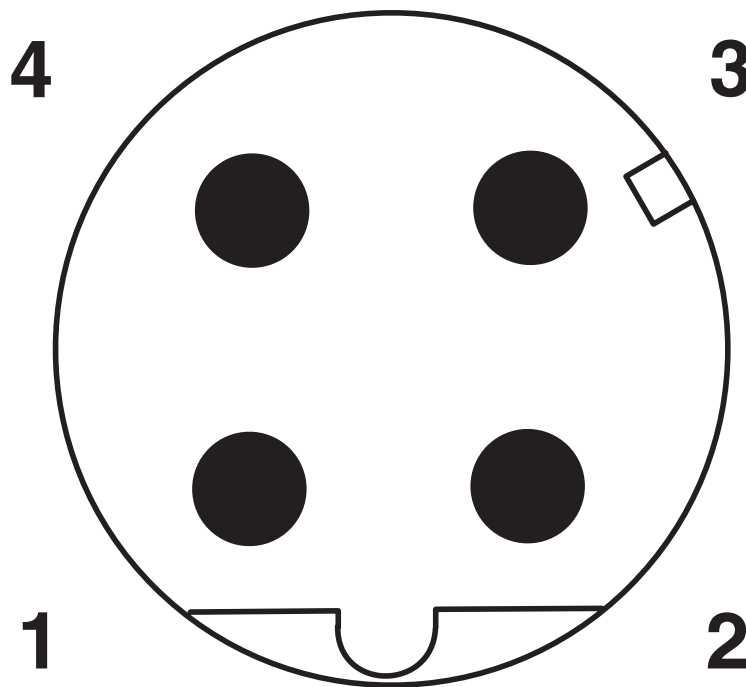
Data connector - SACC-M12MSD-4Q SH

1543223

<https://www.phoenixcontact.com/pc/products/1543223>

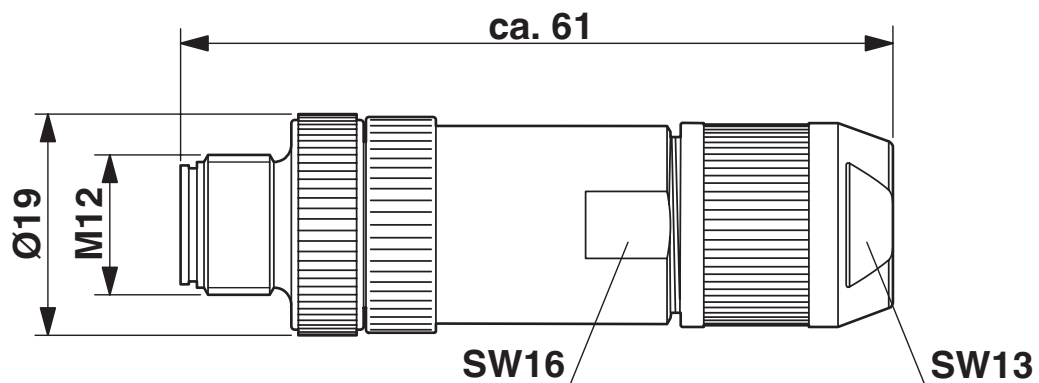
Drawings

Schematic diagram



Pin assignment M12 male connector, 4-pos., D-coded, male side

Dimensional drawing



Plug, M12 x 1, straight, shielded

Data connector - SACC-M12MSD-4Q SH



1543223

<https://www.phoenixcontact.com/pc/products/1543223>

Approvals



EAC

Approval ID: RU C-DE.AI30.B.01102



EAC

Approval ID: EAC-Zulassung



EAC

Approval ID: RU C-DE.BL08.B.00511

Data connector - SACC-M12MSD-4Q SH



1543223

<https://www.phoenixcontact.com/pc/products/1543223>

Classifications

ECLASS

ECLASS-10.0.1	27440102
ECLASS-9.0	27440102
ECLASS-11.0	27440102

ETIM

ETIM 8.0	EC002635
----------	----------

UNSPSC

UNSPSC 21.0	39121400
-------------	----------

Data connector - SACC-M12MSD-4Q SH



1543223

<https://www.phoenixcontact.com/pc/products/1543223>

Environmental Product Compliance

REACH SVHC	Lead 7439-92-1
China RoHS	Environmentally Friendly Use Period = 50 years
	For information on hazardous substances, refer to the manufacturer's declaration available under "Downloads"

Data connector - SACC-M12MSD-4Q SH



1543223

<https://www.phoenixcontact.com/pc/products/1543223>

Accessories

Shielding foil

Shielding foil - ALU-SB - 1404531

<https://www.phoenixcontact.com/pc/products/1404531>

Shielding foil, for fixing the braided shield of shielded cables. Length: 4 cm, width: 1.2 cm



Network cable

Network cable - VS-OE-OE-93E/... - 1417320

<https://www.phoenixcontact.com/pc/products/1417320>

Network cable, Ethernet CAT5 (100 Mbps), 4-position halogen-free, shielded, free cable end, on free cable end, cable length: Free input (0.5 ... 100 m)



Data connector - SACC-M12MSD-4Q SH



1543223

<https://www.phoenixcontact.com/pc/products/1543223>

Diagonal cutter

Diagonal cutter - MICROFOX-SB - 1212489

<https://www.phoenixcontact.com/pc/products/1212489>



Electronic diagonal cutter, round head, without chamfer, with opening spring, mirror-polished and oiled, 2-component grip, cutting capacity: soft 0.2 - 2.0 mm; medium hard 1.2 mm; hard 0.5 mm diameter

Stripping tool

Stripping tool - WIREFOX-D 40 - 1212161

<https://www.phoenixcontact.com/pc/products/1212161>



Stripping tool, for stripping cables of 4.5 mm - 40 mm-Ø, insulation thickness of up to 4.5 mm, pivoting blade for round, lengthwise, and spiral cuts

Data connector - SACC-M12MSD-4Q SH

1543223

<https://www.phoenixcontact.com/pc/products/1543223>

Stripping tool

Stripping tool - VS-CABLE-STRIP-VARIO - 1657407

<https://www.phoenixcontact.com/pc/products/1657407>

Stripping tool, for the multi-level stripping of shielded cables



Torque screwdriver

Torque screwdriver - TSD 04 SAC - 1208429

<https://www.phoenixcontact.com/pc/products/1208429>

Torque screwdriver, with preset torque of 0.4 Nm and 4 mm hexagonal drive for M12 connectors



Data connector - SACC-M12MSD-4Q SH



1543223

<https://www.phoenixcontact.com/pc/products/1543223>

Torque screwdriver

Torque screwdriver - TSD-M 1,2NM - 1212224

<https://www.phoenixcontact.com/pc/products/1212224>



Torque screw driver, accuracy as per EN ISO 6789 standard, adjustable from 0.3 - 1.2 Nm

Torque screwdriver

Torque screwdriver - TSD 08 SAC - 1212597

<https://www.phoenixcontact.com/pc/products/1212597>



Torque screw driver with preset torque of 0.8 Nm, with 4 mm hexagon for accommodating SAC bits, two-component handle with non-slip grip

Data connector - SACC-M12MSD-4Q SH



1543223

<https://www.phoenixcontact.com/pc/products/1543223>

Adapter insert

Adapter insert - TSD-M SAC-BIT ADAPTER - 1212600

<https://www.phoenixcontact.com/pc/products/1212600>



Adapter bit for TSD-M...torque tools, E6.3-1/4" drive with 4 mm hexagon to accommodate SAC bits

Sealing cap

Sealing cap - PROT-M12 FS-PA-CHAIN - 1430873

<https://www.phoenixcontact.com/pc/products/1430873>



M12 sealing cap made of plastic with fixing band, for sensor cables, for free M12 plugs

Data connector - SACC-M12MSD-4Q SH



1543223

<https://www.phoenixcontact.com/pc/products/1543223>

Tool

Tool - SACC BIT M12-D20 - 1208445

<https://www.phoenixcontact.com/pc/products/1208445>

Nut for assembling M12 connectors for assembly with a knurl diameter of 20 mm, for 4 mm hexagonal drive



Phoenix Contact 2022 © - all rights reserved

<https://www.phoenixcontact.com>

PHOENIX CONTACT GmbH & Co. KG

Flachsmarktstraße 8

D-32825 Blomberg

+49 (0) 5235-3 00

info@phoenixcontact.com